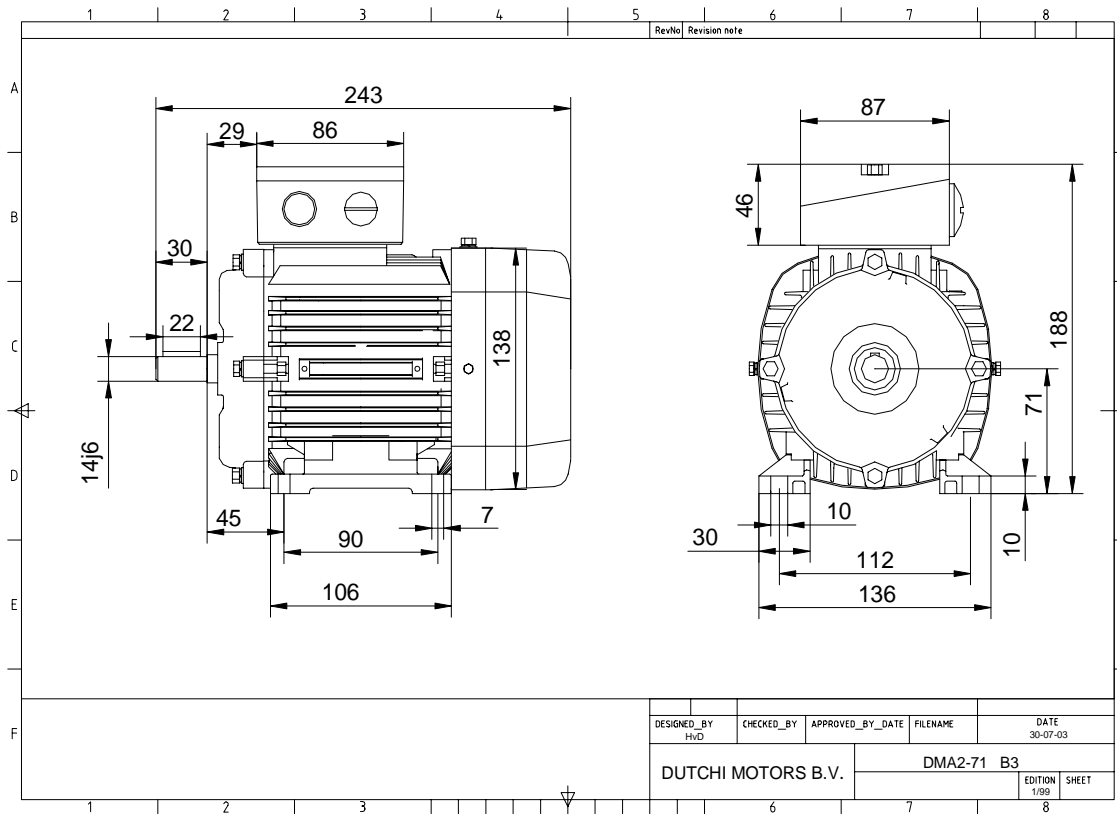


Power is our commodity, the world is our market !



Specification **IEC 60034-1**
 Manufacturer **Dutchi Motors B.V.**
 Motor type **DMA2- 71 K6**
 Rated power **0,18** kW **S1** duty
 Speed **860** r.p.m
 Voltage **230** / **400** V
 Frequency **50** Hz
 Connection **Δ** / **Y**
 Amps full load **1,14** / **0,66** A
 Amps no-load(400V) **0,57** A
 Enclosure **IP 55**
 Insulation Class **F (temp. rise B (80 K))**

Max. coolant temp. **40°C**
 Max. altitude **1.000** mtr, above sea level
 Comment
 Cable entries **2 x M25x1,5 + 1 x M20x1,5 (ptc)**

Feature **Aluminium motor**
 Weight **6,4** kg
 Catalog no. **18126018D**
 Warranty **12~18 months**

Efficiency class **N/A**
 Load data 100% 75% 50% 25%
 Efficiency **61,6 59,9 52,2 36,2** %
 Power factor **0,64 0,55 0,43 0,31**

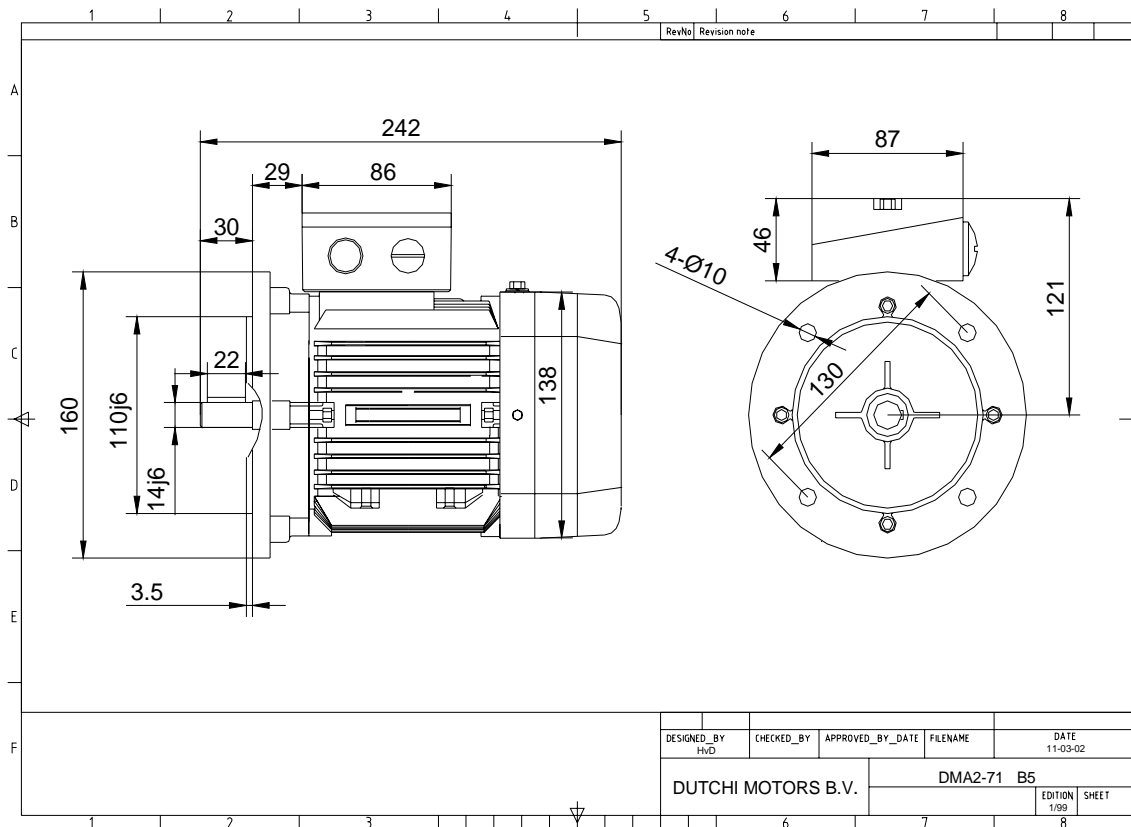
Sound pressure level (1m) **43,7** dB(A)
 Resistance R20 (open) **44,92** Ω
 Resistance R20 **Y 89,84** Ω

Full load torque **2,00** Nm
 DOL Starting torque vs FL torque **2,28**
 DOL Pull up torque vs FL torque **1,65**
 DOL Pull out torque vs FL torque **3,13**
 Star-Delta Starting torque vs FL torque **Y - motor**
 Star-Delta Pull up torque vs FL torque **Y - motor**
 Star-Delta Pull out torque vs FL torque **Y - motor**
 DOL Starting current vs FL current **3,48**
 Star Delta Starting current vs FL current **Y - motor**
 Rotor Inertia **0,000423** kgm2

Bearing DE **6202 - ZZ**
 Bearing NDE **6202 - ZZ**

WI	Change	date	sign.
Dutchi Motors B.V. P.O. Box 5390 NL-6802 EJ ARNHEM Tel : +31-(0)26 - 3541 600 Fax : +31-(0)26 - 3541 650		Description	date
		Drawing made by :	19-04-04
		dutchi.motors@dutchi.nl www.dutchi.com	

Power is our commodity, the world is our market !



Specification **IEC 60034-1**
 Manufacturer **Dutchi Motors B.V.**
 Motor type **DMA2- 71 K6**
 Rated power **0,18** kW **S1** duty
 Speed **860** r.p.m
 Voltage **230 / 400** V
 Frequency **50** Hz
 Connection **Δ / Y**
 Amps full load **1,14 / 0,66** A
 Amps no-load(400V) **0,57** A
 Enclosure **IP 55**
 Insulation Class **F (temp. rise B (80 K))**

Max. coolant temp. **40°C**
 Max. altitude **1.000** mtr, above sea level
 Comment
 Cable entries **2 x M25x1,5 + 1 x M20x1,5 (ptc)**

Feature **Aluminium motor**
 Weight **6,4** kg
 Catalog no. **18226018D**
 Warranty **12~18 months**

Efficiency class **N/A**
 Load data 100% 75% 50% 25%
 Efficiency **61,6 59,9 52,2 36,2** %
 Power factor **0,64 0,55 0,43 0,31**

Sound pressure level (1m) **43,7** dB(A)
 Resistance R20 (open) **44,92** Ω
 Resistance R20 **Y 89,84** Ω

Full load torque **2,00** Nm
 DOL Starting torque vs FL torque **2,28**
 DOL Pull up torque vs FL torque **1,65**
 DOL Pull out torque vs FL torque **3,13**
 Star-Delta Starting torque vs FL torque **Y - motor**
 Star-Delta Pull up torque vs FL torque **Y - motor**
 Star-Delta Pull out torque vs FL torque **Y - motor**
 DOL Starting current vs FL current **3,48**
 Star Delta Starting current vs FL current **Y - motor**
 Rotor Inertia **0,000423** kgm2

Bearing DE **6202 - ZZ**
 Bearing NDE **6202 - ZZ**

WI	Change	date	sign.
Dutchi Motors B.V. P.O. Box 5390 NL-6802 EJ ARNHEM Tel : +31-(0)26 - 3541 600 Fax : +31-(0)26 - 3541 650		Description	date
		Drawing made by :	19-04-04
		dutchi.motors@dutchi.nl www.dutchi.com	