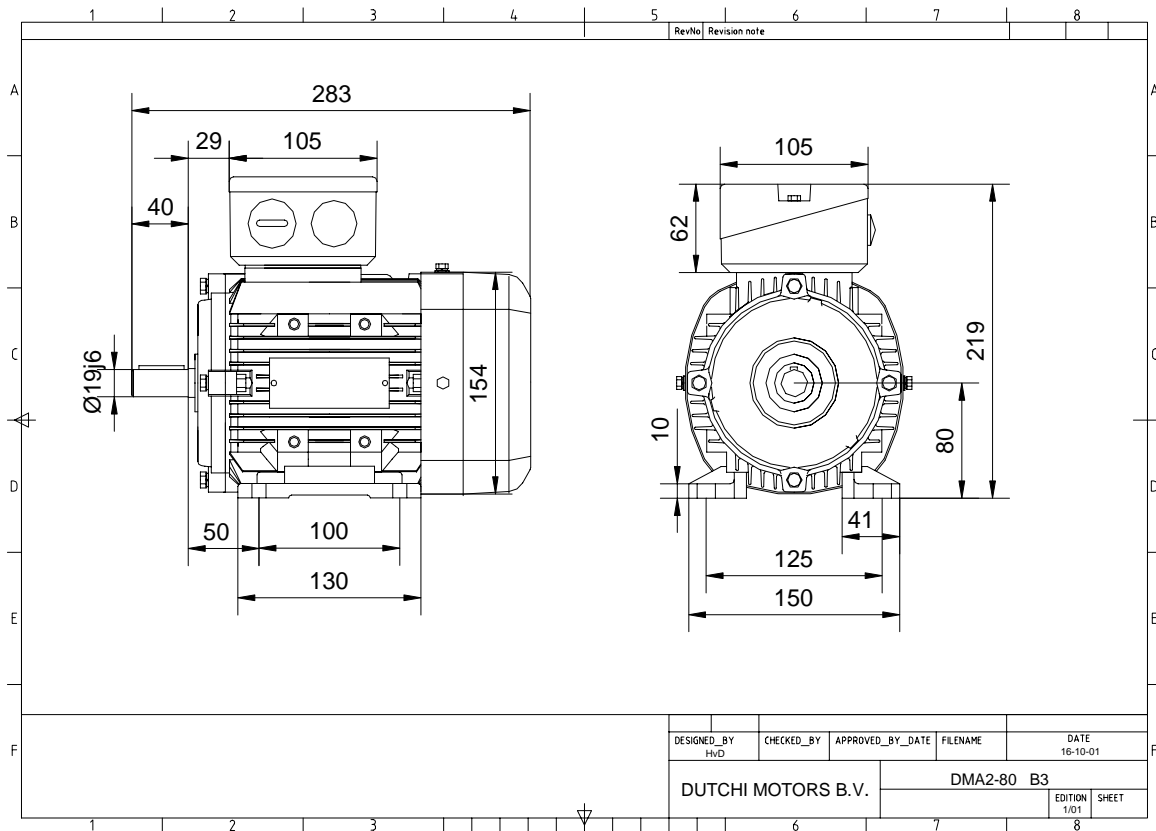


Power is our commodity, the world is our market !



Specification **IEC 60034-1**
 Manufacturer **Dutchi Motors B.V.**
 Motor type **DMA2- 80 K6**
 Rated power **0,37** kW **S1** duty
 Speed **880** r.p.m
 Voltage **230 / 400** V
 Frequency **50** Hz
 Connection **Δ / Y**
 Amps full load **2,09 / 1,21** A
 Amps no-load_(400V) **1,01** A
 Enclosure **IP 55**
 Insulation Class **F (temp. rise B (80 K))**

Max. coolant temp. **40°C**
 Max. altitude **1.000** mtr, above sea level
 Comment
 Cable entries **2 x M25*1,5**

Feature **Alumimium motor**
 Weight **8,5** kg
 Catalog no. **18126037D**
 Warranty **12~18 months**

Efficiency class **N/A**
 Load data 100% 75% 50% 25%
 Efficiency **61,9 59,5 52,1 35,5** %
 Power factor **0,71 0,61 0,48 0,34**

Sound pressure level (1m) **47,2** dB(A)
 Resistance R₂₀ (open) **23,8** Ω
 Resistance R₂₀ **Y 47,7** Ω

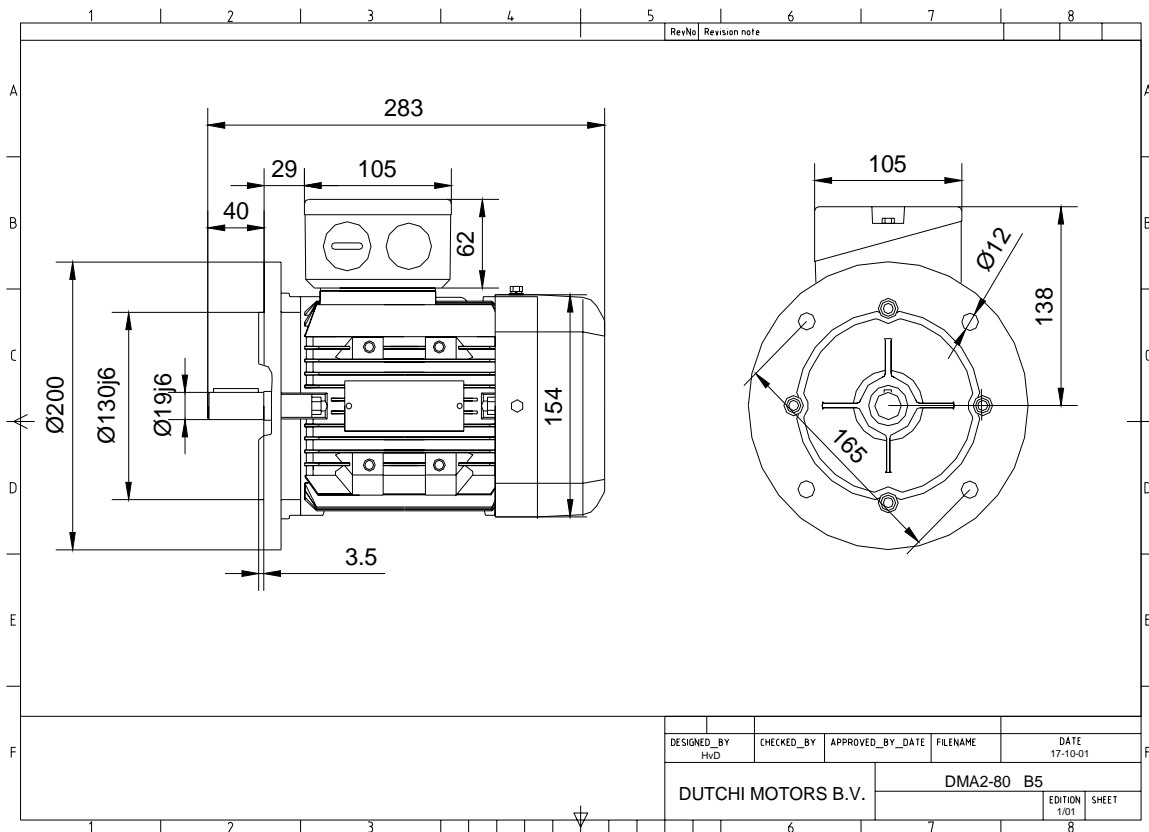
Full load torque **4,02** Nm
 DOL Starting torque vs FL torque **2,06**
 DOL Pull up torque vs FL torque **1,45**
 DOL Pull out torque vs FL torque **2,76**
 Star-Delta Starting torque vs FL torque **Y - motor**
 Star-Delta Pull up torque vs FL torque **Y - motor**
 Star-Delta Pull out torque vs FL torque **Y - motor**
 DOL Starting current vs FL current **3,55**
 Star Delta Starting current vs FL current **Y - motor**
 Rotor Inertia **0,001268** kgm²

Bearing DE **6204 - ZZ**
 Bearing NDE **6204 - ZZ**

Extras / Options :

WI	Change	date	sign.
Dutchi Motors B.V. P.O. Box 5390 NL-6802 EJ ARNHEM Tel : +31-(0)26 - 3541 600 Fax : +31-(0)26 - 3541 650		Description	date
		Drawing made by :	19-04-04
		dutchi.motors@dutchi.nl www.dutchi.com	

Power is our commodity, the world is our market !



Specification **IEC 60034-1**
 Manufacturer **Dutchi Motors B.V.**
 Motor type **DMA2- 80 K6**
 Rated power **0,37** kW **S1** duty
 Speed **880** r.p.m
 Voltage **230** / **400 V**
 Frequency **50** Hz
 Connection **Δ / Y**
 Amps full load **2,09** / **1,21** A
 Amps no-load(400V) **1,01** A
 Enclosure **IP 55**
 Insulation Class **F (temp. rise B (80 K))**

Max. coolant temp. **40°C**
 Max. altitude **1.000** mtr, above sea level
 Comment
 Cable entries **2 x M25*1,5**

Feature **Alumimium motor**
 Weight **8,5** kg
 Catalog no. **18226037D**
 Warranty **12~18 months**

Efficiency class **N/A**
 Load data 100% 75% 50% 25%
 Efficiency **61,9 59,5 52,1 35,5** %
 Power factor **0,71 0,61 0,48 0,34**

Sound pressure level (1m) **47,2** dB(A)
 Resistance R20 (open) **23,8** Ω
 Resistance R20 **Y 47,7** Ω

Full load torque **4,02** Nm
 DOL Starting torque vs FL torque **2,06**
 DOL Pull up torque vs FL torque **1,45**
 DOL Pull out torque vs FL torque **2,76**
 Star-Delta Starting torque vs FL torque **Y - motor**
 Star-Delta Pull up torque vs FL torque **Y - motor**
 Star-Delta Pull out torque vs FL torque **Y - motor**
 DOL Starting current vs FL current **3,55**
 Star Delta Starting current vs FL current **Y - motor**
 Rotor Inertia **0,001268** kgm²

Bearing DE **6204 - ZZ**
 Bearing NDE **6204 - ZZ**

Extras / Options :

WI	Change	date	sign.
Dutchi Motors B.V.		Description	date
P.O. Box 5390		Drawing made by :	19-04-04
NL-6802 EJ ARNHEM			
Tel : +31-(0)26 - 3541 600		dutchi.motors@dutchi.nl	
Fax : +31-(0)26 - 3541 650		www.dutchi.com	