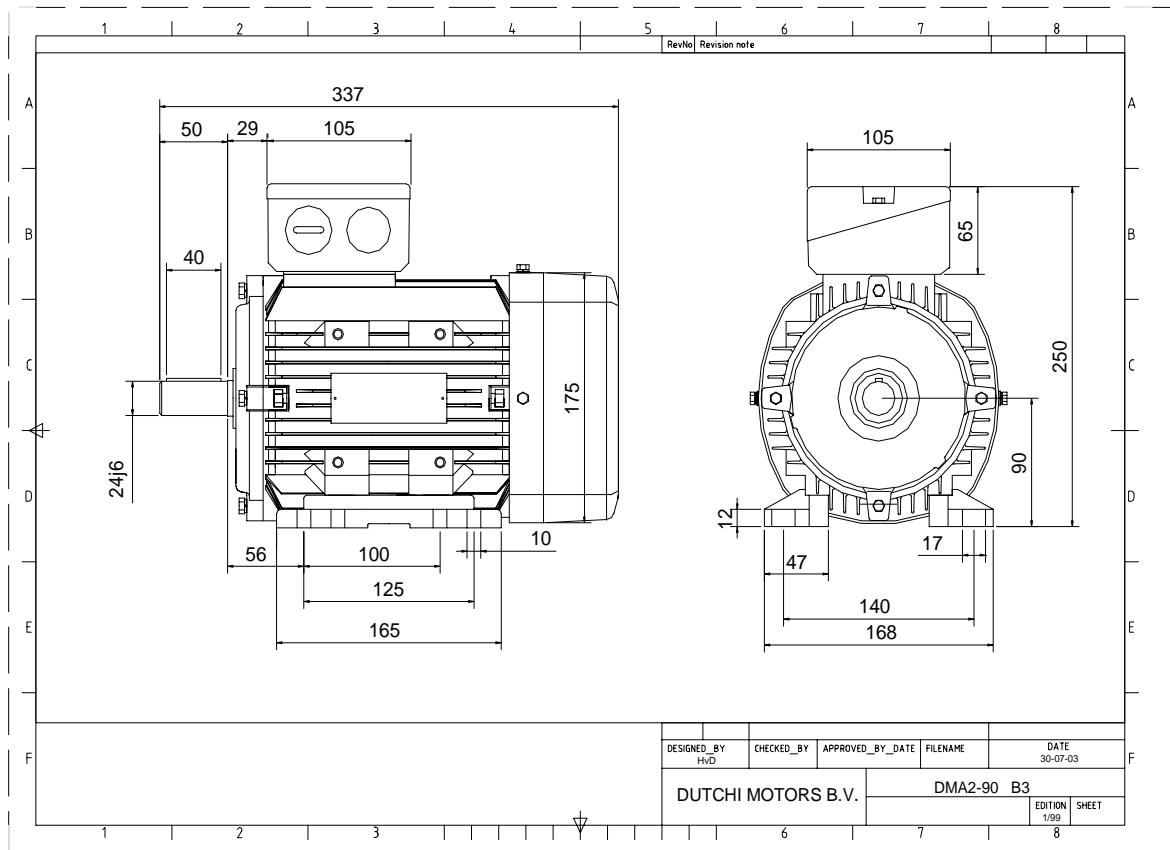




Power is our commodity, the world is our market !



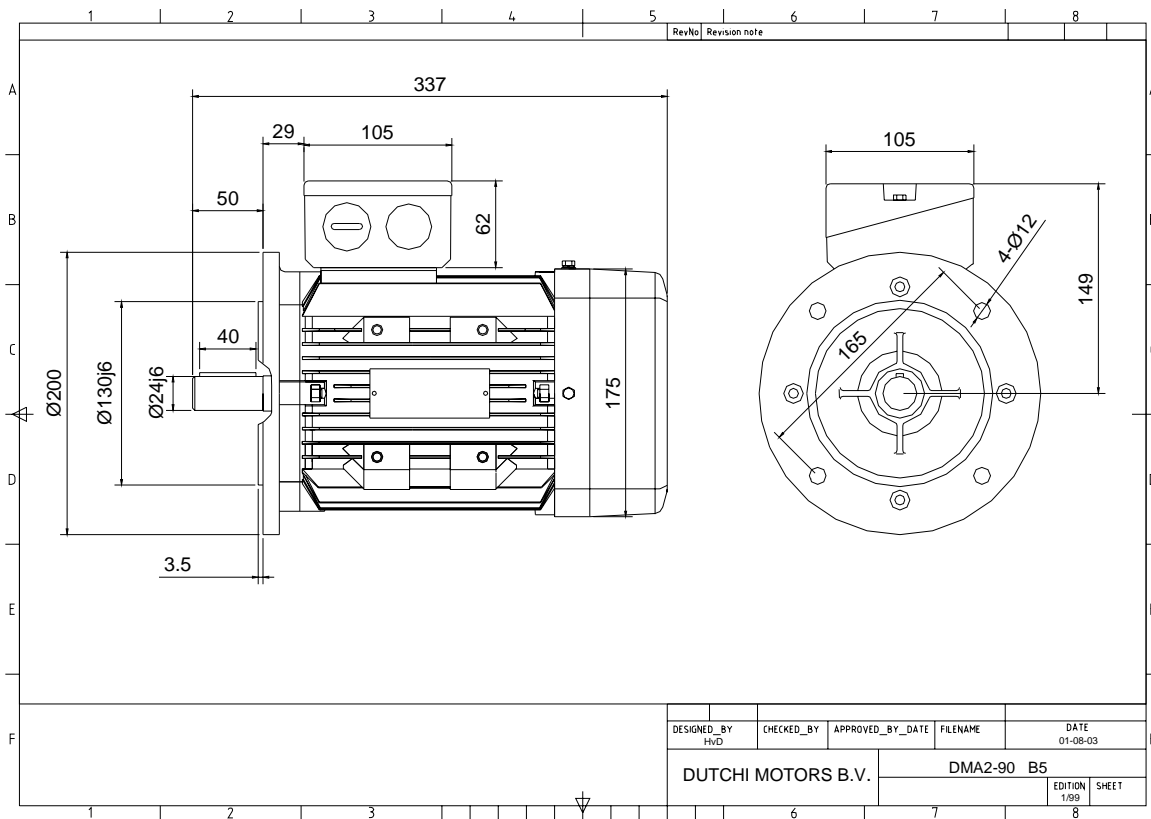
Specification	IEC 60034-1
Manufacturer	Dutchi Motors B.V.
Motor type	DMA2- 90 L2
Rated power	2,20 kW S1 duty
Speed	2840 r.p.m
Voltage	230 / 400 V
Frequency	50 Hz
Connection	Δ / Y
Amps full load	8,08 / 4,66 A
Amps no-load(400V)	2,29 A
Enclosure	IP 55
Insulation Class	F (temp. rise B (80 K))
Max. coolant temp.	40°C
Max. altitude	1.000 mtr, above sea level
Comment	
Cable entries	2 x M25x1,5 + 1 x M20x1,5 (ptc)
Feature	Alumimium motor
Weight	14,0 kg
Catalog no.	18126110D
Warranty	12~18 months

Efficiency class	EFF 2			
Load data	100%	75%	50%	25%
Efficiency	81,0	81,4	79,5	70,5 %
Power factor	0,84	0,78	0,67	0,47
Sound pressure level (1m)				59,9 dB(A)
Resistance R20 (open)				2,57 Ω
Resistance R20	Y		5,14	Ω
Full load torque				7,40 Nm
DOL Starting torque vs FL torque				3,02
DOL Pull up torque vs FL torque				1,84
DOL Pull out torque vs FL torque				3,13
Star-Delta Starting torque vs FL torque				0,94
Star-Delta Pull up torque vs FL torque				Y - motor
Star-Delta Pull out torque vs FL torque				Y - motor
DOL Starting current vs FL current				6,93
Star Delta Starting current vs FL current				Y - motor
Rotor Inertia				0,0028 kgm ²
Bearing DE				6205 - ZZ C3
Bearing NDE				6205 - ZZ C3

Extras / Options :

WI	Change	date	sign.
Dutchi Motors B.V. P.O. Box 5390 NL-6802 EJ ARNHEM Tel : +31-(0)26 - 3541 600 Fax : +31-(0)26 - 3541 650		Discription	date
		Drawing made by :	19-04-04
		dutchi.motors@dutchi.nl www.dutchi.com	

Power is our commodity, the world is our market !



Specification **IEC 60034-1**
 Manufacturer **Dutchi Motors B.V.**
 Motor type **DMA2- 90 L2**
 Rated power **2,20** kW **S1** duty
 Speed **2840** r.p.m
 Voltage **230 / 400** V
 Frequency **50** Hz
 Connection **Δ / Y**
 Amps full load **8,08 / 4,66** A
 Amps no-load(400V) **2,29** A
 Enclosure **IP 55**
 Insulation Class **F (temp. rise B (80 K))**

Max. coolant temp. **40°C**
 Max. altitude **1.000** mtr, above sea level
 Comment
 Cable entries **2 x M25x1,5 + 1 x M20x1,5 (ptc)**

Feature **Alumimium motor**
 Weight **14,0** kg
 Catalog no. **18226110D**
 Warranty **12~18 months**

Efficiency class **EFF 2**

Load data	100%	75%	50%	25%	
Efficiency	81,0	81,4	79,5	70,5	%
Power factor	0,84	0,78	0,67	0,47	

Sound pressure level (1m) **59,9** dB(A)
 Resistance R20 (open) **2,57** Ω
 Resistance R20 **Y 5,14** Ω

Full load torque **7,40** Nm
 DOL Starting torque vs FL torque **3,02**
 DOL Pull up torque vs FL torque **1,84**
 DOL Pull out torque vs FL torque **3,13**
 Star-Delta Starting torque vs FL torque **0,94**
 Star-Delta Pull up torque vs FL torque **Y - motor**
 Star-Delta Pull out torque vs FL torque **Y - motor**
 DOL Starting current vs FL current **6,93**
 Star Delta Starting current vs FL current **Y - motor**
 Rotor Inertia **0,0028** kgm²

Bearing DE **6205 - ZZ C3**
 Bearing NDE **6205 - ZZ C3**

Extras / Options :

WI	Change	date	sign.
Dutchi Motors B.V. P.O. Box 5390 NL-6802 EJ ARNHEM Tel : +31-(0)26 - 3541 600 Fax : +31-(0)26 - 3541 650		Description	date
		Drawing made by :	19-04-04
		dutchi.motors@dutchi.nl www.dutchi.com	