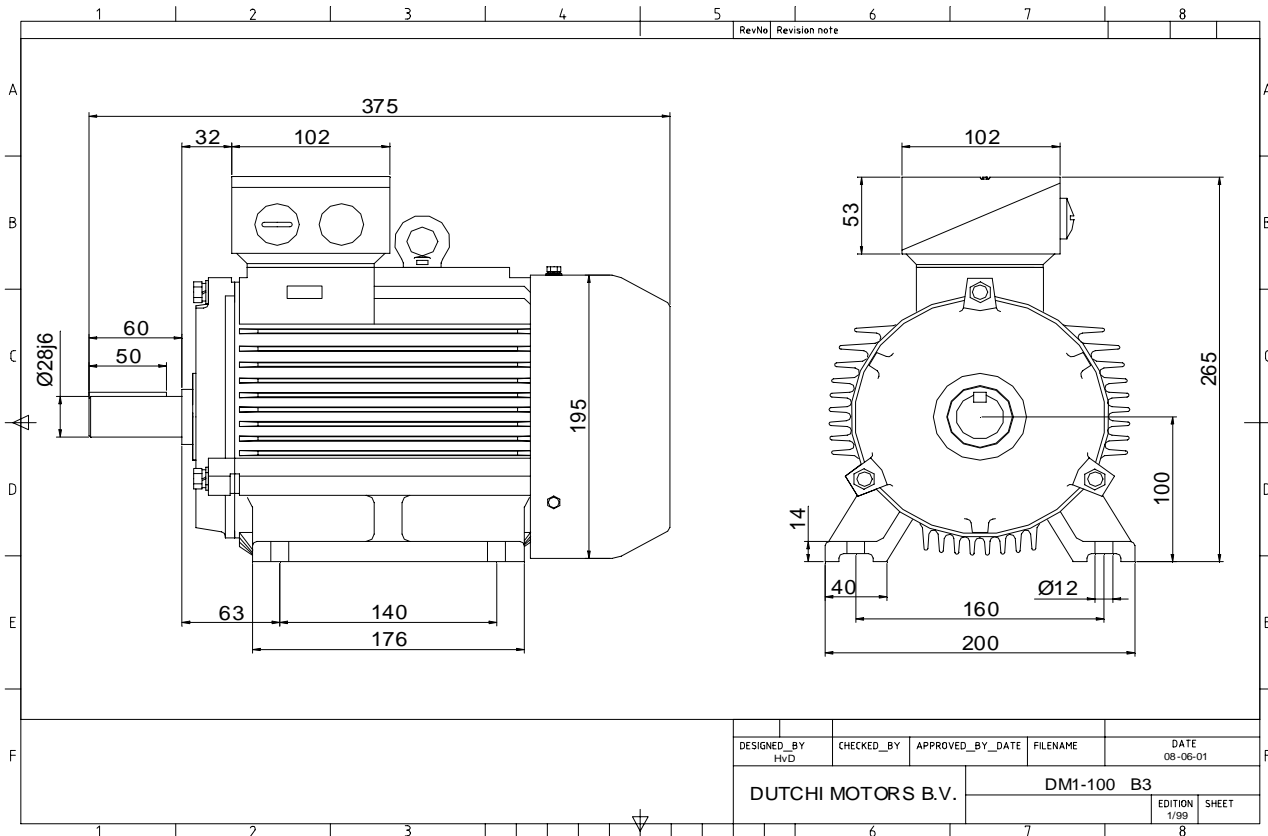


Power is our commodity, the world is our market !



Specification **IEC 60034-1**
 Manufacturer **Dutchi Motors B.V.**
 Motor type **DM1- 100 L2**
 Rated power **3** kW **S1** duty
 Speed **2850** r.p.m
 Voltage **230 / 400** V
 Frequency **50** Hz
 Connection **Δ / Y**
 Amps full load **10,28 / 5,93** A
 Amps no-load(400V) **2,40** A
 Enclosure **IP 55**
 Insulation Class **F (temp. rise B (80 K))**

Max. coolant temp. **40°C**
 Max. altitude **1.000** mtr, above sea level
 Comment **3 x PTC 150°C**
 Cable entries **2 x M25x1,5 + 1 x M20x1,5 (ptc)**

Feature **Cast-iron motor**
 Weight **33,0** kg
 Catalog no. **11122300D**
 Warranty **12~18 months**

Efficiency class **EFF 2**
 Load data 100% 75% 50% 25%
 Efficiency **82,6 82,5 80,2 71,3** %
 Power factor **0,88 0,84 0,75 0,56**

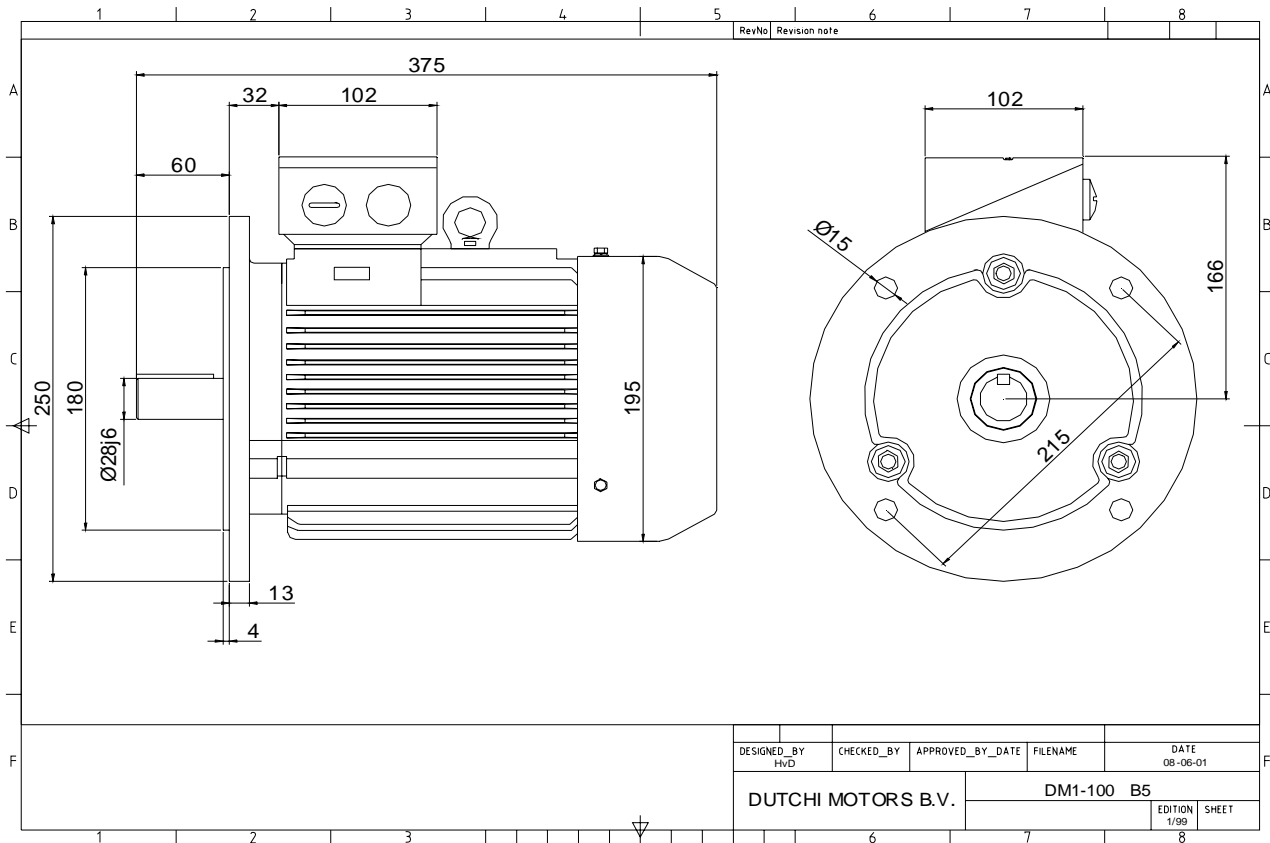
Sound pressure level (1m) **64,0** dB(A)
 Resistance R20 (open) **1,80** Ω
 Resistance R20 **Y 3,60** Ω

Full load torque **10,05** Nm
 DOL Starting torque vs FL torque **2,91**
 DOL Pull up torque vs FL torque **1,96**
 DOL Pull out torque vs FL torque **3,25**
 Star-Delta Starting torque vs FL torque **Y - motor**
 Star-Delta Pull up torque vs FL torque **Y - motor**
 Star-Delta Pull out torque vs FL torque **Y - motor**
 DOL Starting current vs FL current **7,58**
 Star Delta Starting current vs FL current **Y - motor**
 Rotor Inertia **0,0029** kgm²

Bearing DE **6206 - ZZ C3**
 Bearing NDE **6206 - ZZ C3**

WI	Change	date	sign.
Dutchi Motors B.V. P.O. Box 5390 NL-6802 EJ ARNHEM Tel : +31-(0)26 - 3541 600 Fax : +31-(0)26 - 3541 650		Discription Drawing made by :	date 19-04-04 sign. HvD
dutchi.motors@dutchi.nl www.dutchi.com			

Power is our commodity, the world is our market !



Specification	IEC 60034-1
Manufacturer	Dutchi Motors B.V.
Motor type	DM1- 100 L2
Rated power	3 kW S1 duty
Speed	2850 r.p.m
Voltage	230 / 400 V
Frequency	50 Hz
Connection	Δ / Y
Amps full load	10,28 / 5,93 A
Amps no-load(400V)	2,40 A
Enclosure	IP 55
Insulation Class	F (temp. rise B (80 K))
Max. coolant temp.	40°C
Max. altitude	1.000 mtr, above sea level
Comment	3 x PTC 150°C
Cable entries	2 x M25x1,5 + 1 x M20x1,5 (ptc)
Feature	Cast-iron motor
Weight	33,0 kg
Catalog no.	11222300D
Warranty	12~18 months

Efficiency class	EFF 2			
Load data	100%	75%	50%	25%
Efficiency	82,6	82,5	80,2	71,3 %
Power factor	0,88	0,84	0,75	0,56
Sound pressure level (1m)				64,0 dB(A)
Resistance R20 (open)				1,80 Ω
Resistance R20	Y		3,60	Ω
Full load torque				10,05 Nm
DOL Starting torque vs FL torque				2,91
DOL Pull up torque vs FL torque				1,96
DOL Pull out torque vs FL torque				3,25
Star-Delta Starting torque vs FL torque				Y - motor
Star-Delta Pull up torque vs FL torque				Y - motor
Star-Delta Pull out torque vs FL torque				Y - motor
DOL Starting current vs FL current				7,58
Star Delta Starting current vs FL current				Y - motor
Rotor Inertia				0,0029 kgm ²
Bearing DE				6206 - ZZ C3
Bearing NDE				6206 - ZZ C3

WI	Change	date	sign.
Dutchi Motors B.V. P.O. Box 5390 NL-6802 EJ ARNHEM Tel : +31-(0)26 - 3541 600 Fax : +31-(0)26 - 3541 650		Discription Drawing made by :	date 19-04-04 sign. HvD
dutchi.motors@dutchi.nl www.dutchi.com			