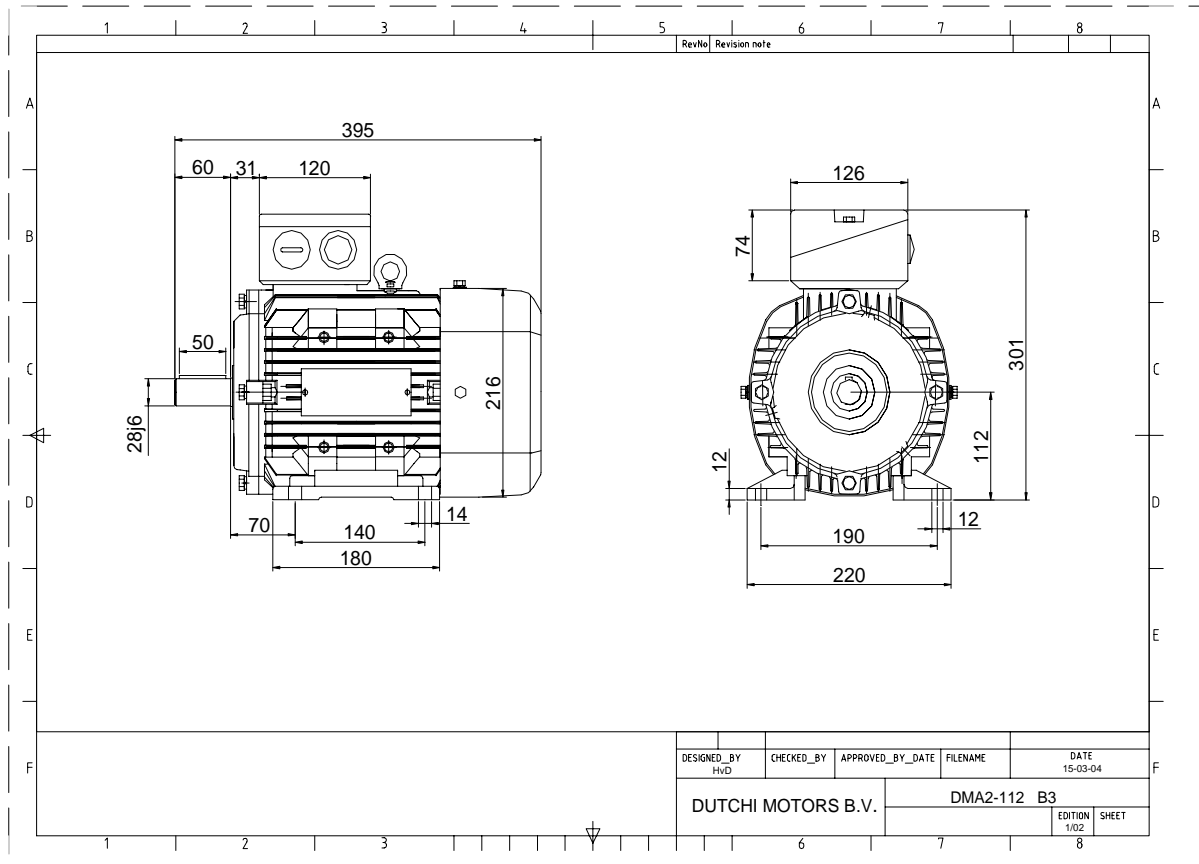


Power is our commodity, the world is our market !

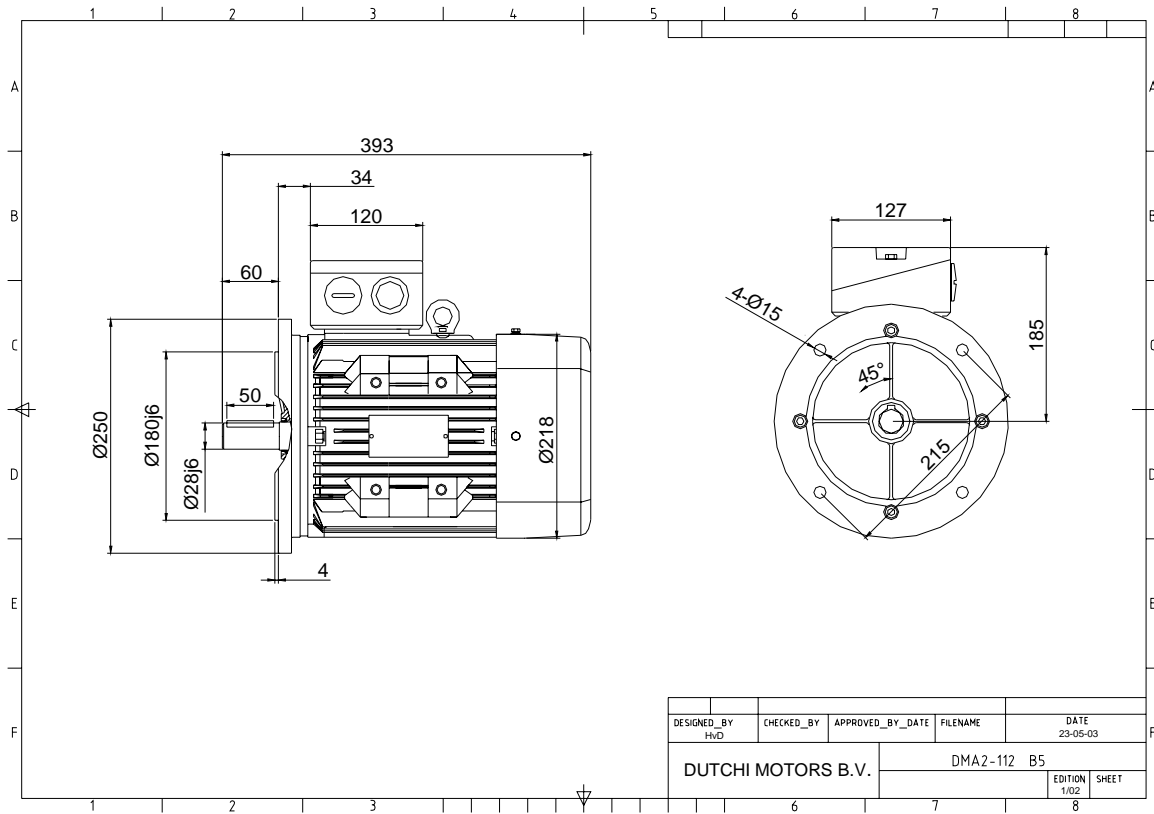


Specification	<b>IEC 60034-1</b>		
Manufacturer	<b>Dutchi Motors B.V.</b>		
Motor type	<b>DMA2-HE 112M2</b>		
Rated power	<b>4,00</b>	kW	<b>S1</b> duty
Speed	<b>2880</b>	r.p.m	
Voltage	<b>400</b>	/	<b>690</b> V
Frequency	<b>50</b>	Hz	
Connection	<b>Δ</b>	/	<b>Y</b>
Amps full load	<b>7,13</b>	/	<b>4,12</b> A
Amps no-load(400V)	<b>1,87</b>	A	
Enclosure	<b>IP 55</b>		
Insulation Class	<b>F (temp. rise B (80 K))</b>		
Max. coolant temp.	<b>40°C</b>		
Max. altitude	<b>1.000</b>	mtr,	above sea level
Comment			
Cable entries	<b>2 x M32x1,5</b>		
Feature	<b>Alumimium motor</b>		
Weight		kg	
Catalog no.	<b>18132400DH</b>		
Warranty	<b>12~18 months</b>		

Efficiency class	<b>EFF 1</b>			
Load data	100%	75%	50%	25%
Efficiency	<b>87,6</b>	<b>88,8</b>	<b>88,6</b>	<b>84,3</b> %
Power factor	<b>0,92</b>	<b>0,90</b>	<b>0,85</b>	<b>0,71</b>
Sound pressure level (1m)				<b>66,3</b> dB(A)
Resistance R20 (open)				<b>3,47</b> Ω
Resistance R20	<b>Δ</b>			<b>2,31</b> Ω
Full load torque				<b>13,26</b> Nm
DOL Starting torque vs FL torque				<b>2,14</b>
DOL Pull up torque vs FL torque				<b>1,63</b>
DOL Pull out torque vs FL torque				<b>3,32</b>
Star-Delta Starting torque vs FL torque				<b>0,67</b>
Star-Delta Pull up torque vs FL torque				<b>0,51</b>
Star-Delta Pull out torque vs FL torque				<b>1,04</b>
DOL Starting current vs FL current				<b>7,52</b>
Star Delta Starting current vs FL current				<b>2,35</b>
Rotor Inertia				kgm2
Bearing DE				<b>6306 - ZZ C3</b>
Bearing NDE				<b>6306 - ZZ C3</b>


WI	Change	date	sign.
<b>Dutchi Motors B.V.</b> P.O. Box 5390 NL-6802 EJ ARNHEM Tel : +31-(0)26 - 3541 600 Fax : +31-(0)26 - 3541 650		Discription	date
		Drawing made by :	05-05-04
		<b>dutchi.motors@dutchi.nl</b> <b>www.dutchi.com</b>	

Power is our commodity, the world is our market !



Specification **IEC 60034-1**  
 Manufacturer **Dutchi Motors B.V.**  
 Motor type **DMA2-HE 112M2**  
 Rated power **4,00** kW **S1** duty  
 Speed **2880** r.p.m  
 Voltage **400** / **690** V  
 Frequency **50** Hz  
 Connection **Δ** / **Y**  
 Amps full load **7,13** / **4,12** A  
 Amps no-load(400V) **1,87** A  
 Enclosure **IP 55**  
 Insulation Class **F (temp. rise B (80 K))**

Max. coolant temp. **40°C**  
 Max. altitude **1.000** mtr, above sea level  
 Comment  
 Cable entries **2 x M32x1,5**

Feature **Alumimium motor**  
 Weight kg  
 Catalog no. **18232400DH**  
 Warranty **12~18 months**

Efficiency class **EFF 1**

Load data	100%	75%	50%	25%	
Efficiency	<b>87,6</b>	<b>88,8</b>	<b>88,6</b>	<b>84,3</b>	%
Power factor	<b>0,92</b>	<b>0,90</b>	<b>0,85</b>	<b>0,71</b>	

Sound pressure level (1m) **66,3** dB(A)  
 Resistance R20 (open) **3,47** Ω  
 Resistance R20 **Δ 2,31** Ω

Full load torque **13,26** Nm  
 DOL Starting torque vs FL torque **2,14**  
 DOL Pull up torque vs FL torque **1,63**  
 DOL Pull out torque vs FL torque **3,32**  
 Star-Delta Starting torque vs FL torque **0,67**  
 Star-Delta Pull up torque vs FL torque **0,51**  
 Star-Delta Pull out torque vs FL torque **1,04**  
 DOL Starting current vs FL current **7,52**  
 Star Delta Starting current vs FL current **2,35**

Rotor Inertia **kgm2**

Bearing DE **6306 - ZZ C3**  
 Bearing NDE **6306 - ZZ C3**


WI	Change	date	sign.
Dutchi Motors B.V. P.O. Box 5390 NL-6802 EJ ARNHEM Tel : +31-(0)26 - 3541 600 Fax : +31-(0)26 - 3541 650		Discription Drawing made by :	date 05-05-04
		sign. HvD	
		dutchi.motors@dutchi.nl www.dutchi.com	