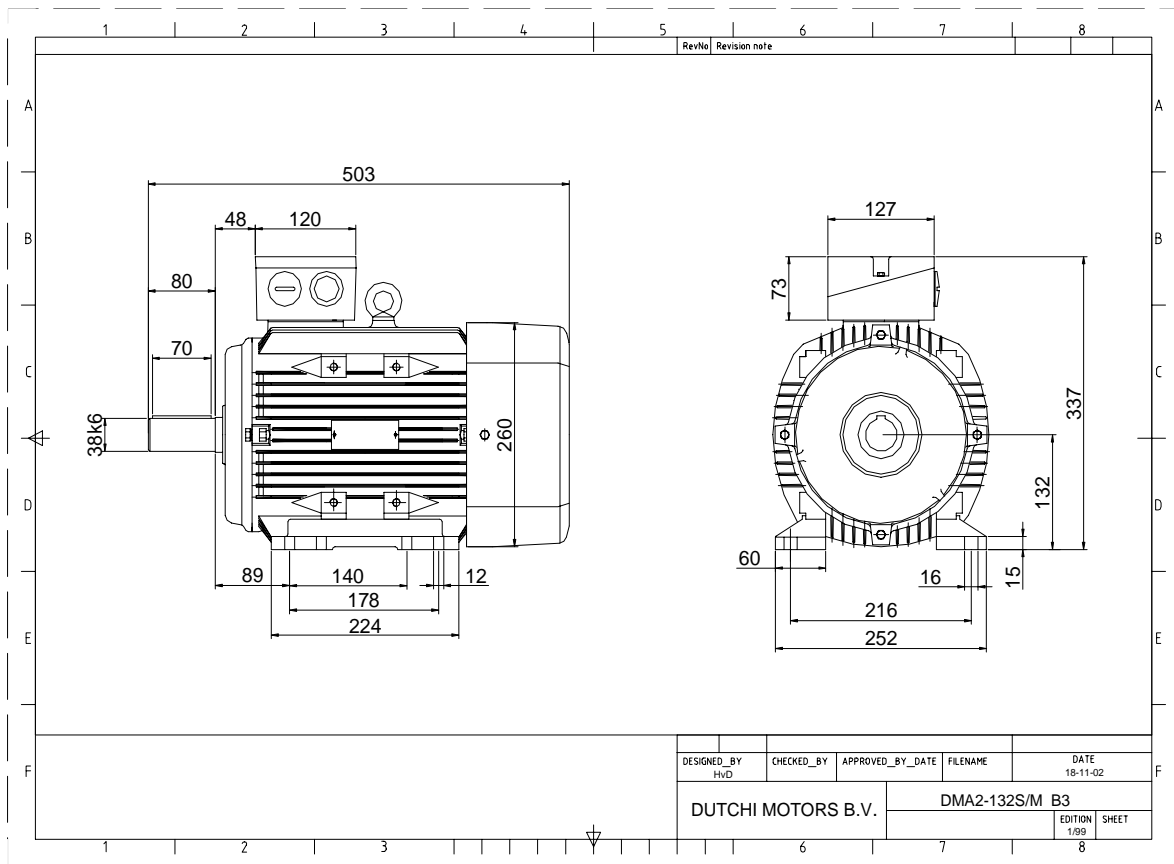


Power is our commodity, the world is our market !



DESIGNED_BY HVD	CHECKED_BY	APPROVED_BY_DATE	FILENAME	DATE 18-11-02
DUTCHI MOTORS B.V.			DMA2-132S/M B3	
			EDITION 1/99	SHEET

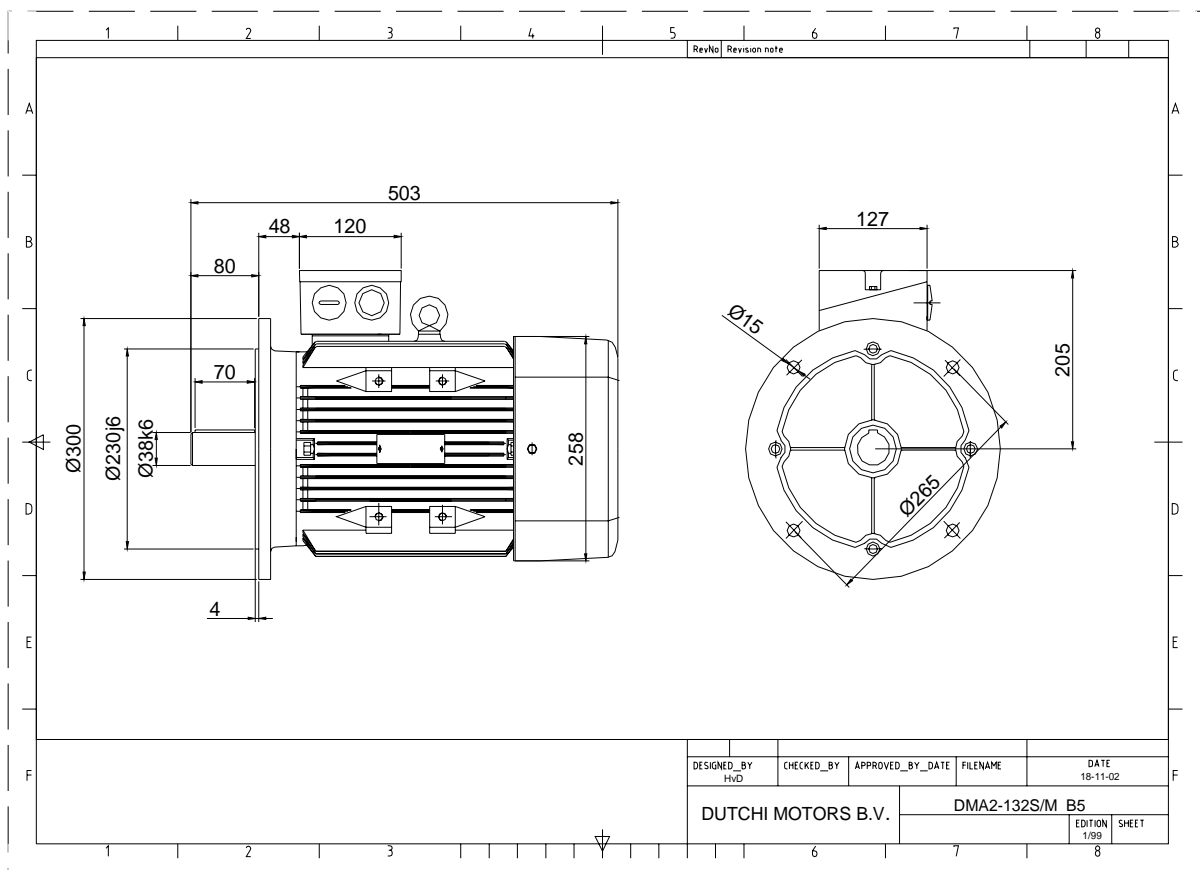
Specification	IEC 60034-1
Manufacturer	Dutchi Motors B.V.
Motor type	DMA2-HE 132SX2
Rated power	7,50 kW S1 duty
Speed	2920 r.p.m
Voltage	400 / 690 V
Frequency	50 Hz
Connection	Δ / Y
Amps full load	13,66 / 7,89 A
Amps no-load(400V)	5,25 A
Enclosure	IP 55
Insulation Class	F (temp. rise B (80 K))
Max. coolant temp.	40°C
Max. altitude	1.000 mtr, above sea level
Comment	
Cable entries	2 x M32x1,5
Feature	Alumimium motor
Weight	kg
Catalog no.	18132750DH
Warranty	12~18 months

Efficiency class	EFF 1			
Load data	100%	75%	50%	25%
Efficiency	90,8	91,2	90,3	85,4 %
Power factor	0,87	0,83	0,74	0,52
Sound pressure level (1m)				64,5 dB(A)
Resistance R20 (open)				1,26 Ω
Resistance R20	Δ			0,84 Ω
Full load torque				24,53 Nm
DOL Starting torque vs FL torque				2,61
DOL Pull up torque vs FL torque				2,01
DOL Pull out torque vs FL torque				4,35
Star-Delta Starting torque vs FL torque				0,81
Star-Delta Pull up torque vs FL torque				0,63
Star-Delta Pull out torque vs FL torque				1,36
DOL Starting current vs FL current				9,02
Star Delta Starting current vs FL current				2,82
Rotor Inertia				kgm ²
Bearing DE				6308 - ZZ C3
Bearing NDE				6308 - ZZ C3

voorbeelden - extra's

WI	Change	date	sign.
Dutchi Motors B.V. P.O. Box 5390 NL-6802 EJ ARNHEM Tel : +31-(0)26 - 3541 600 Fax : +31-(0)26 - 3541 650		Discription	date
		Drawing made by :	05-05-04
		dutchi.motors@dutchi.nl www.dutchi.com	

Power is our commodity, the world is our market !



Specification	IEC 60034-1
Manufacturer	Dutchi Motors B.V.
Motor type	DMA2-HE 132SX2
Rated power	7,50 kW S1 duty
Speed	2920 r.p.m
Voltage	400 / 690 V
Frequency	50 Hz
Connection	Δ / Y
Amps full load	13,66 / 7,89 A
Amps no-load(400V)	5,25 A
Enclosure	IP 55
Insulation Class	F (temp. rise B (80 K))
Max. coolant temp.	40°C
Max. altitude	1.000 mtr, above sea level
Comment	
Cable entries	2 x M32x1,5
Feature	Alumimium motor
Weight	kg
Catalog no.	18232750DH
Warranty	12~18 months

Efficiency class	EFF 1			
Load data	100%	75%	50%	25%
Efficiency	90,8	91,2	90,3	85,4 %
Power factor	0,87	0,83	0,74	0,52
Sound pressure level (1m)				64,5 dB(A)
Resistance R20 (open)				1,26 Ω
Resistance R20	Δ			0,84 Ω
Full load torque				24,53 Nm
DOL Starting torque vs FL torque				2,61
DOL Pull up torque vs FL torque				2,01
DOL Pull out torque vs FL torque				4,35
Star-Delta Starting torque vs FL torque				0,81
Star-Delta Pull up torque vs FL torque				0,63
Star-Delta Pull out torque vs FL torque				1,36
DOL Starting current vs FL current				9,02
Star Delta Starting current vs FL current				2,82
Rotor Inertia				kgm2
Bearing DE				6308 - ZZ C3
Bearing NDE				6308 - ZZ C3

voorbeelden - extra's

WI	Change	date	sign.
Dutchi Motors B.V. P.O. Box 5390 NL-6802 EJ ARNHEM Tel : +31-(0)26 - 3541 600 Fax : +31-(0)26 - 3541 650		Discription	date
		Drawing made by :	05-05-04
		dutchi.motors@dutchi.nl www.dutchi.com	