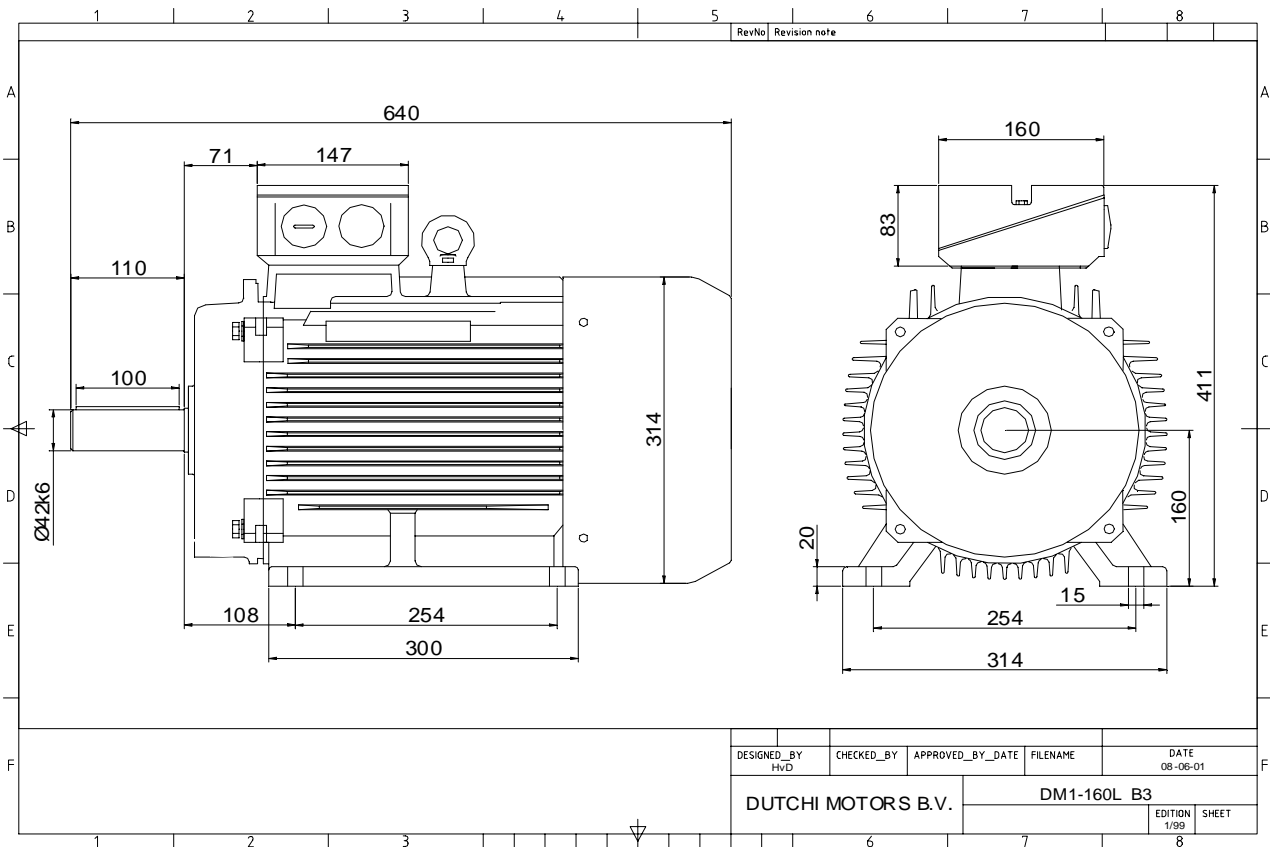


Power is our commodity, the world is our market !



Specification IEC 60034-1
Manufacturer Dutchi Motors B.V.
Motor type DM1-HE 160L4
Rated power 15,00 kW S1 duty
Speed 1460 r.p.m
Voltage 400 / 690 V
Frequency 50 Hz
Connection Δ / Y
Amps full load 28,0 / 16,2 A
Amps no-load(400V) 10,60 A
Enclosure IP 55
Insulation Class F (temp. rise B (80 K))

Max. coolant temp. 40°C
Max. altitude 1.000 mtr, above sea level
Comment 3 x PTC 150°C
Cable entries 2 x M40x1,5 + 1 x M20x1,5 (ptc)

Feature Cast-iron motor
Weight kg
Catalog no. 11134A15DH
Warranty 12~18 months

Efficiency class EFF 1
Load data 100% 75% 50% 25%
Efficiency 91,8 92,0 91,4 87,1 %
Power factor 0,84 0,81 0,71 0,51

Sound pressure level (1m) 61,5 dB(A)
Resistance R20 (open) 0,533 Ω
Resistance R20 Δ 0,355 Ω

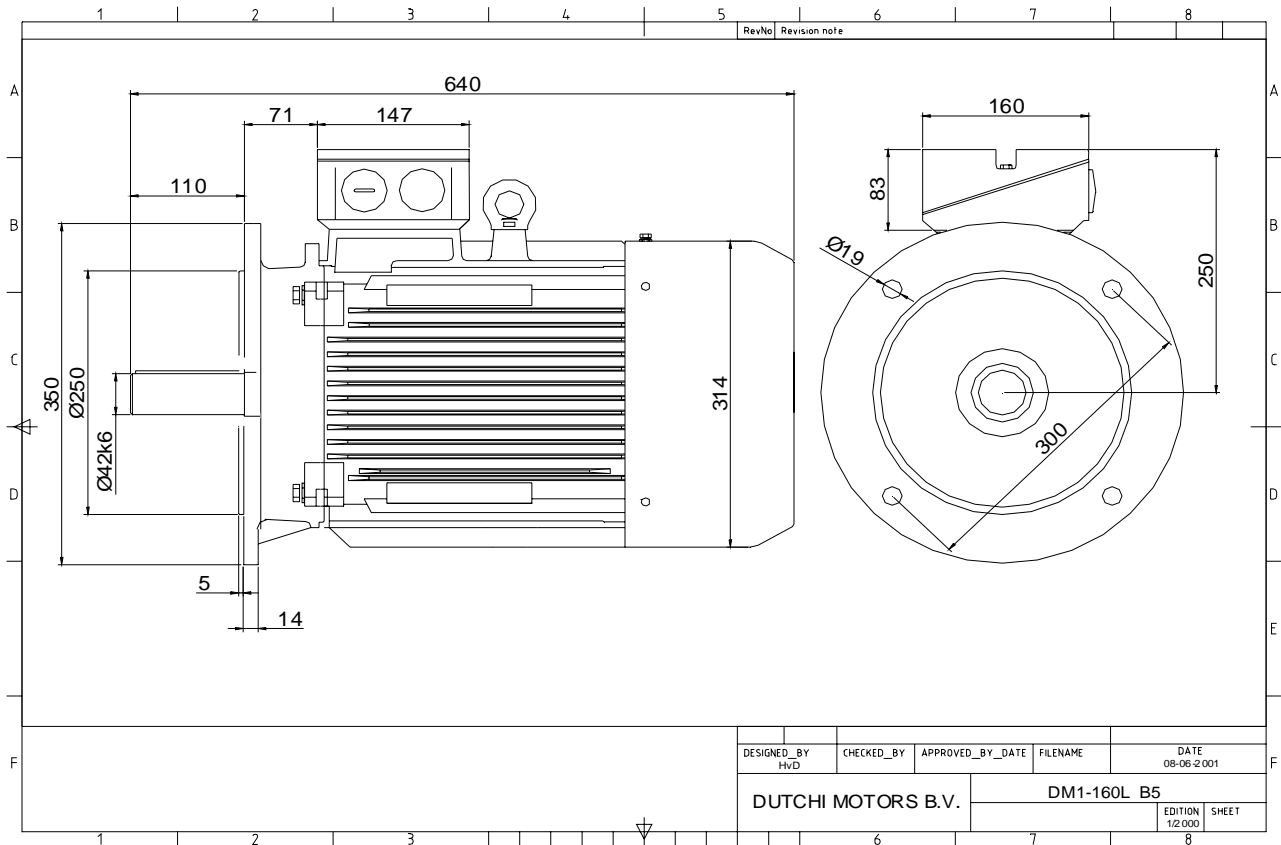
Full load torque 98 Nm
DOL Starting torque vs FL torque 2,27
DOL Pull up torque vs FL torque 1,63
DOL Pull out torque vs FL torque 3,06
Star-Delta Starting torque vs FL torque 0,71
Star-Delta Pull up torque vs FL torque 0,51
Star-Delta Pull out torque vs FL torque 0,96
DOL Starting current vs FL current 7,45
Star Delta Starting current vs FL current 2,33

Rotor Inertia kgm2

Bearing DE 6309 - ZZ C3
Bearing NDE 6309 - ZZ C3

WI	Change	date	sign.
Dutchi Motors B.V. P.O. Box 5390 NL-6802 EJ ARNHEM Tel : +31-(0)26 - 3541 600 Fax : +31-(0)26 - 3541 650		Discription	date
		Drawing made by :	27-04-04
		dutchi.motors@dutchi.nl www.dutchi.com	

Power is our commodity, the world is our market !



Specification	IEC 60034-1
Manufacturer	Dutchi Motors B.V.
Motor type	DM1-HE 160L4
Rated power	15,00 kW S1 duty
Speed	1460 r.p.m
Voltage	400 / 690 V
Frequency	50 Hz
Connection	Δ / Y
Amps full load	28,0 / 16,2 A
Amps no-load(400V)	10,60 A
Enclosure	IP 55
Insulation Class	F (temp. rise B (80 K))
Max. coolant temp.	40°C
Max. altitude	1.000 mtr, above sea level
Comment	3 x PTC 150°C
Cable entries	2 x M40x1,5 + 1 x M20x1,5 (ptc)
Feature	Cast-iron motor
Weight	kg
Catalog no.	11234A15DH
Warranty	12~18 months

Efficiency class	EFF 1			
Load data	100%	75%	50%	25%
Efficiency	91,8	92,0	91,4	87,1 %
Power factor	0,84	0,81	0,71	0,51
Sound pressure level (1m)				61,5 dB(A)
Resistance R20 (open)				0,533 Ω
Resistance R20	Δ			0,355 Ω
Full load torque				98 Nm
DOL Starting torque vs FL torque				2,27
DOL Pull up torque vs FL torque				1,63
DOL Pull out torque vs FL torque				3,06
Star-Delta Starting torque vs FL torque				0,71
Star-Delta Pull up torque vs FL torque				0,51
Star-Delta Pull out torque vs FL torque				0,96
DOL Starting current vs FL current				7,45
Star Delta Starting current vs FL current				2,33
Rotor Inertia				kgm ²
Bearing DE				6309 - ZZ C3
Bearing NDE				6309 - ZZ C3

WI	Change	date	sign.
Dutchi Motors B.V. P.O. Box 5390 NL-6802 EJ ARNHEM Tel : +31-(0)26 - 3541 600 Fax : +31-(0)26 - 3541 650		Discription Drawing made by :	date 27-04-04 sign. HvD
dutchi.motors@dutchi.nl www.dutchi.com			