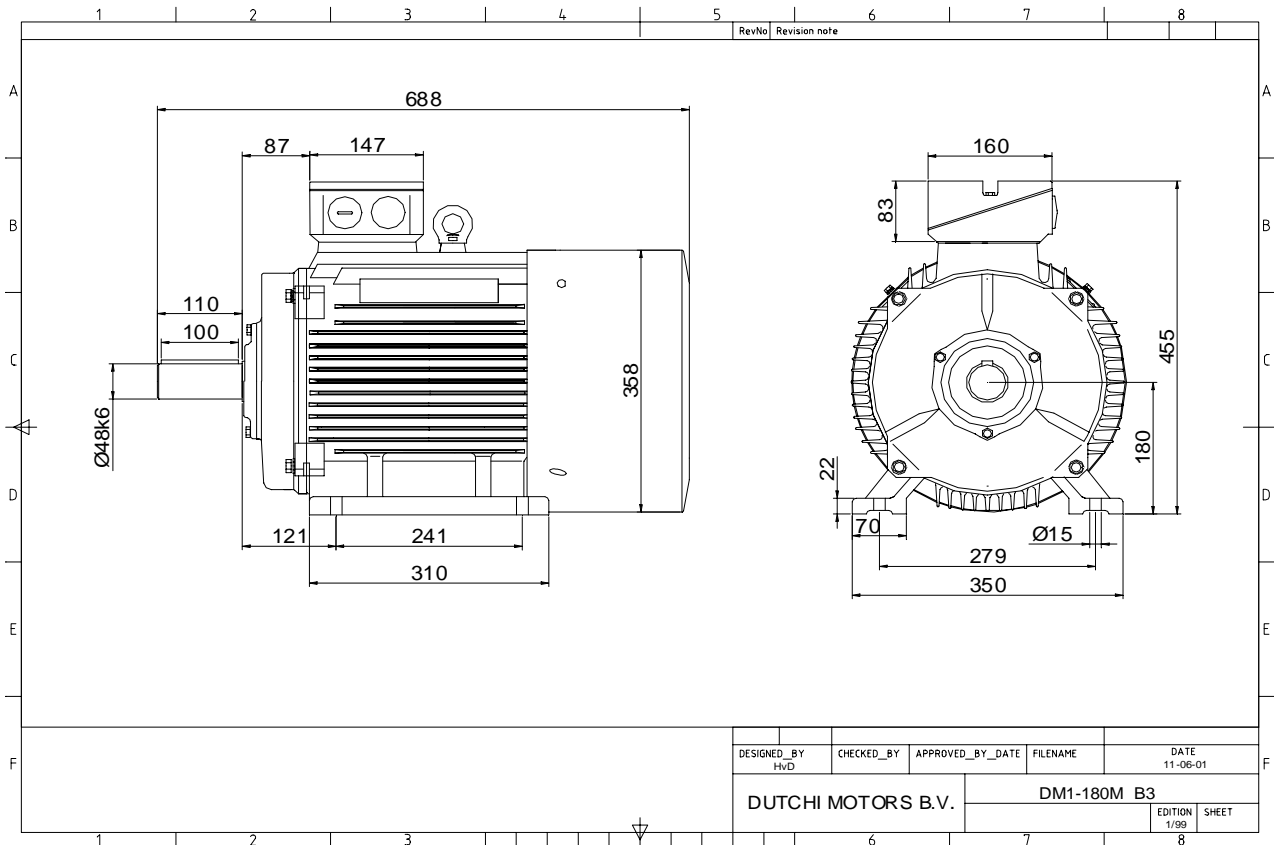


Power is our commodity, the world is our market !



Specification **IEC 60034-1**
 Manufacturer **Dutchi Motors B.V.**
 Motor type **DM1-HE 180M2**
 Rated power **22,00** kW **S1** duty
 Speed **2940** r.p.m
 Voltage **400** / **690** V
 Frequency **50** Hz
 Connection **Δ** / **Y**
 Amps full load **37,8** / **21,8** A
 Amps no-load(400V) **10,40** A
 Enclosure **IP 55**
 Insulation Class **F (temp. rise B (80 K))**

Max. coolant temp. **40°C**
 Max. altitude **1.000** mtr, above sea level
 Comment **3 x PTC 150°C**
 Cable entries **2 x M40x1,5 + 1 x M20x1,5 (ptc)**

Feature **Cast-iron motor**
 Weight **kg**
 Catalog no. **11132A22DH**
 Warranty **12~18 months**

Efficiency class **EFF 1**
 Load data 100% 75% 50% 25%
 Efficiency **92,4 92,1 90,6 85,0** %
 Power factor **0,91 0,89 0,82 0,65**

Sound pressure level (1m) **70,0** dB(A)
 Resistance R20 (open) **0,256** Ω
 Resistance R20 **Δ 0,171** Ω

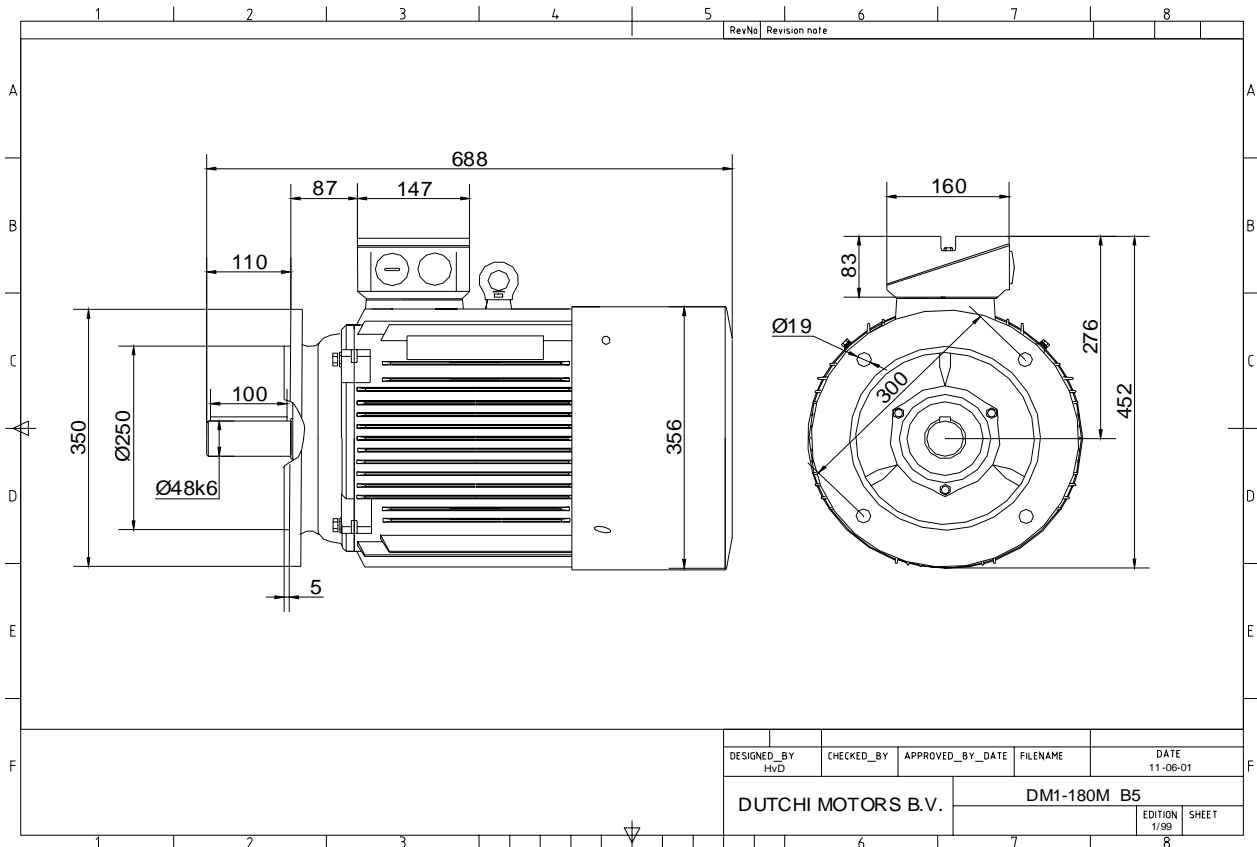
Full load torque **71** Nm
 DOL Starting torque vs FL torque **2,60**
 DOL Pull up torque vs FL torque **1,91**
 DOL Pull out torque vs FL torque **3,73**
 Star-Delta Starting torque vs FL torque **0,81**
 Star-Delta Pull up torque vs FL torque **0,60**
 Star-Delta Pull out torque vs FL torque **1,17**
 DOL Starting current vs FL current **8,09**
 Star Delta Starting current vs FL current **2,53**

Rotor Inertia **kgm2**

Bearing DE **6311 - ZZ C3**
 Bearing NDE **6311 - ZZ C3**

WI	Change	date	sign.
Dutchi Motors B.V. P.O. Box 5390 NL-6802 EJ ARNHEM Tel : +31-(0)26 - 3541 600 Fax : +31-(0)26 - 3541 650		Discription Drawing made by : 27-04-04	date sign. HvD
dutchi.motors@dutchi.nl www.dutchi.com			

Power is our commodity, the world is our market !



Specification **IEC 60034-1**
 Manufacturer **Dutchi Motors B.V.**
 Motor type **DM1-HE 180M2**
 Rated power **22,00** kW **S1** duty
 Speed **2940** r.p.m
 Voltage **400** / **690** V
 Frequency **50** Hz
 Connection **Δ** / **Y**
 Amps full load **37,8** / **21,8** A
 Amps no-load(400V) **10,40** A
 Enclosure **IP 55**
 Insulation Class **F (temp. rise B (80 K))**

Max. coolant temp. **40°C**
 Max. altitude **1.000** mtr, above sea level
 Comment **3 x PTC 150°C**
 Cable entries **2 x M40x1,5 + 1 x M20x1,5 (ptc)**

Feature **Cast-iron motor**
 Weight **kg**
 Catalog no. **11232A22DH**
 Warranty **12~18 months**

Efficiency class **EFF 1**
 Load data 100% 75% 50% 25%
 Efficiency **92,4 92,1 90,6 85,0** %
 Power factor **0,91 0,89 0,82 0,65**

Sound pressure level (1m) **70,0** dB(A)
 Resistance R20 (open) **0,256** Ω
 Resistance R20 **Δ 0,171** Ω

Full load torque **71** Nm
 DOL Starting torque vs FL torque **2,60**
 DOL Pull up torque vs FL torque **1,91**
 DOL Pull out torque vs FL torque **3,73**
 Star-Delta Starting torque vs FL torque **0,81**
 Star-Delta Pull up torque vs FL torque **0,60**
 Star-Delta Pull out torque vs FL torque **1,17**
 DOL Starting current vs FL current **8,09**
 Star Delta Starting current vs FL current **2,53**

Rotor Inertia **kgm2**

Bearing DE **6311 - ZZ C3**
 Bearing NDE **6311 - ZZ C3**

WI	Change	date	sign.
Dutchi Motors B.V. P.O. Box 5390 NL-6802 EJ ARNHEM Tel : +31-(0)26 - 3541 600 Fax : +31-(0)26 - 3541 650		Description	date
		Drawing made by :	27-04-04
		dutchi.motors@dutchi.nl www.dutchi.com	