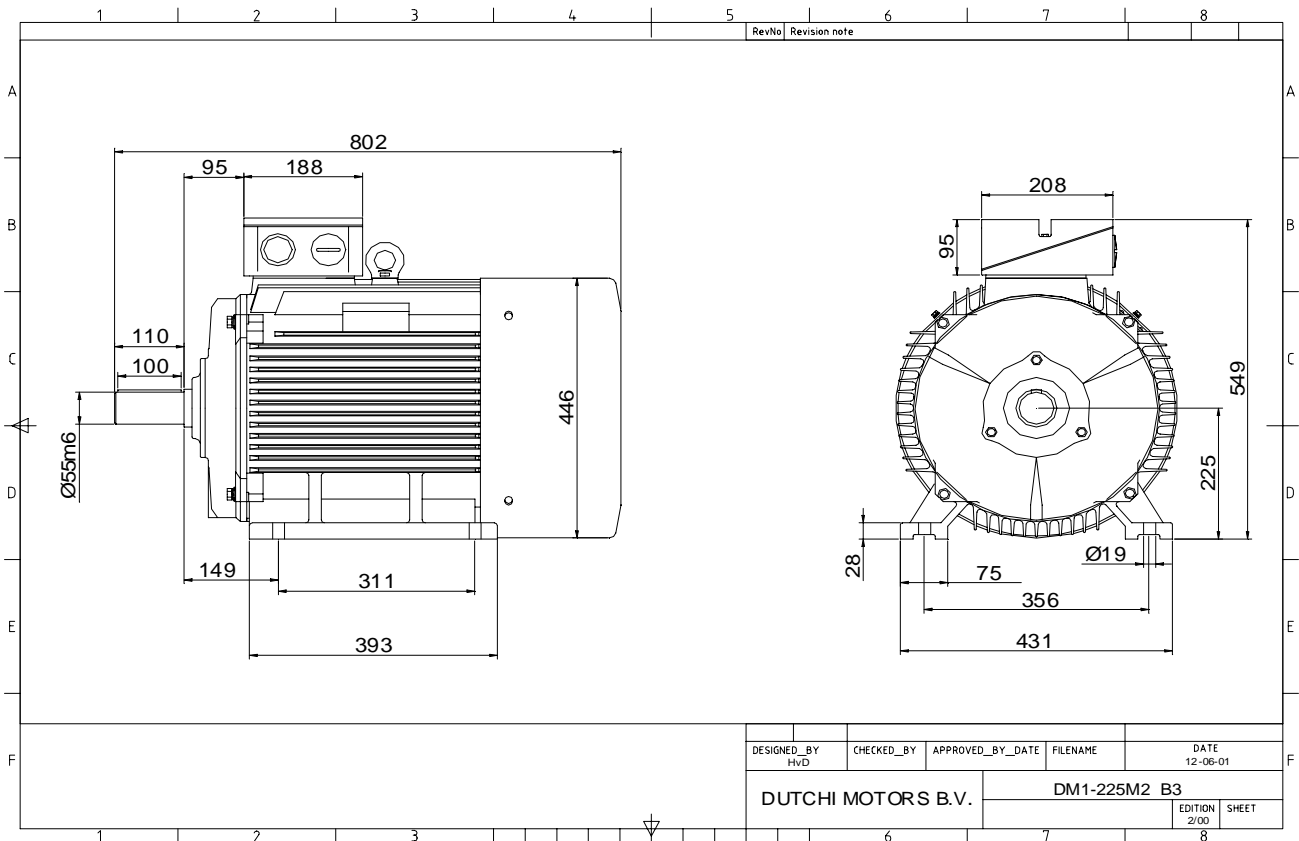


Power is our commodity, the world is our market !



Specification **IEC 60034-1**
 Manufacturer **Dutchi Motors B.V.**
 Motor type **DM1-HE 225M2**
 Rated power **45,0** kW **S1** duty
 Speed **2950** r.p.m
 Voltage **400** / **690** V
 Frequency **50** Hz
 Connection **Δ** / **Y**
 Amps full load **75,9** / **43,8** A
 Amps no-load(400V) **17,40** A
 Enclosure **IP 55**
 Insulation Class **F (temp. rise B (80 K))**

Max. coolant temp. **40°C**
 Max. altitude **1.000** mtr, above sea level
 Comment **3 x PTC 150°C**
 Cable entries **2 x M50x1,5 + 1 x M20x1,5 (ptc)**

Feature **Cast-iron motor**
 Weight **kg**
 Catalog no. **11132A45DH**
 Warranty **12~18 months**

Efficiency class **EFF 1**
 Load data 100% 75% 50% 25%
 Efficiency **93,7 93,7 92,6 87,9** %
 Power factor **0,91 0,90 0,86 0,76**

Sound pressure level (1m) **80,0** dB(A)
 Resistance R20 (open) **0,109** Ω
 Resistance R20 **Δ 0,073** Ω

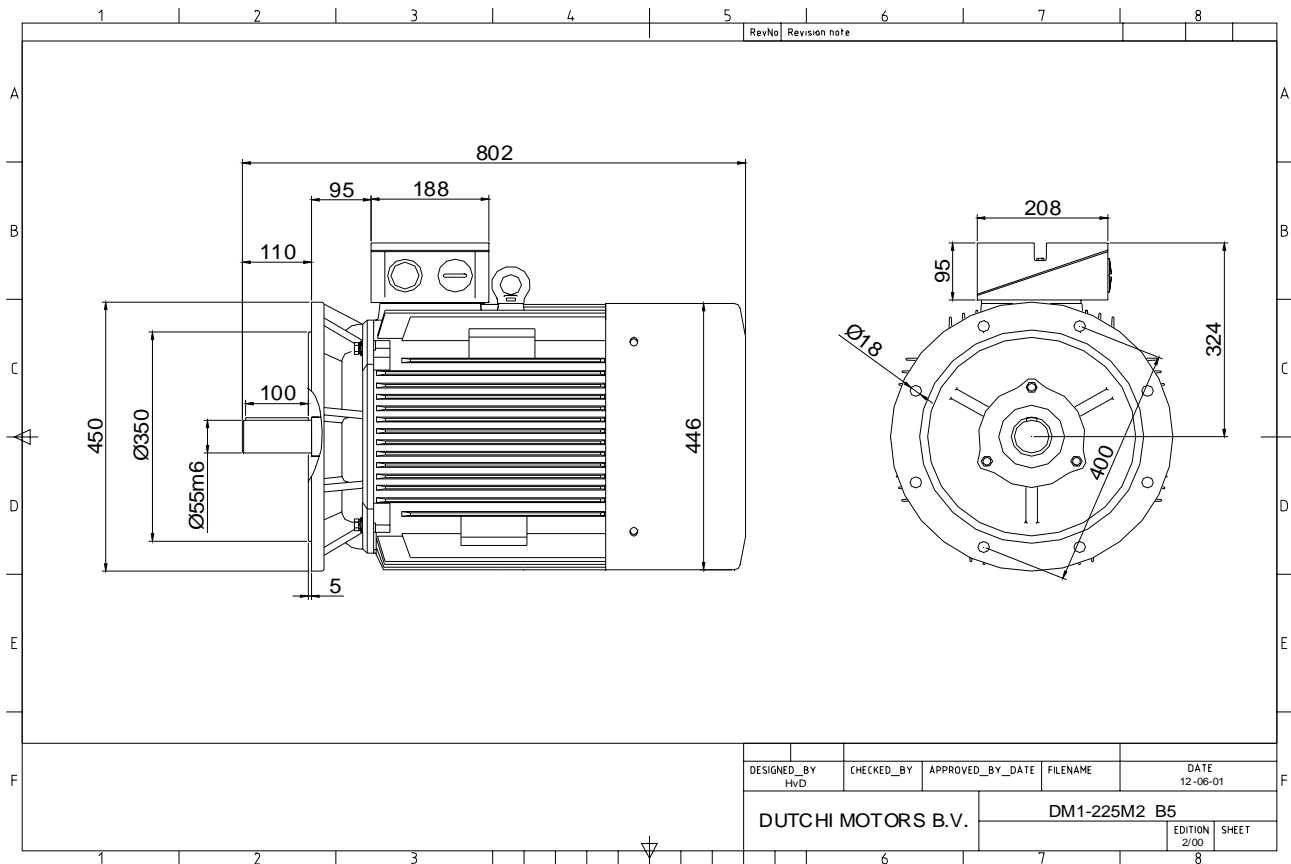
Full load torque **146** Nm
 DOL Starting torque vs FL torque **3,34**
 DOL Pull up torque vs FL torque **2,18**
 DOL Pull out torque vs FL torque **3,42**
 Star-Delta Starting torque vs FL torque **1,05**
 Star-Delta Pull up torque vs FL torque **0,68**
 Star-Delta Pull out torque vs FL torque **1,07**
 DOL Starting current vs FL current **7,46**
 Star Delta Starting current vs FL current **2,33**

Rotor Inertia **kgm2**

Bearing DE **6313 - ZZ C3**
 Bearing NDE **6313 - ZZ C3**

WI	Change	date	sign.
Dutchi Motors B.V.		Description	date
P.O. Box 5390		Drawing made by :	27-04-04
NL-6802 EJ ARNHEM			
Tel : +31-(0)26 - 3541 600		dutchi.motors@dutchi.nl	
Fax : +31-(0)26 - 3541 650		www.dutchi.com	

Power is our commodity, the world is our market !



Specification	IEC 60034-1
Manufacturer	Dutchi Motors B.V.
Motor type	DM1-HE 225M2
Rated power	45,0 kW S1 duty
Speed	2950 r.p.m
Voltage	400 / 690 V
Frequency	50 Hz
Connection	Δ / Y
Amps full load	75,9 / 43,8 A
Amps no-load(400V)	17,40 A
Enclosure	IP 55
Insulation Class	F (temp. rise B (80 K))
Max. coolant temp.	40°C
Max. altitude	1.000 mtr, above sea level
Comment	3 x PTC 150°C
Cable entries	2 x M50x1,5 + 1 x M20x1,5 (ptc)
Feature	Cast-iron motor
Weight	kg
Catalog no.	11532A45DH
Warranty	12~18 months

Efficiency class	EFF 1			
Load data	100%	75%	50%	25%
Efficiency	93,7	93,7	92,6	87,9 %
Power factor	0,91	0,90	0,86	0,76
Sound pressure level (1m)	80,0			dB(A)
Resistance R20 (open)	0,109			Ω
Resistance R20	0,073			Ω
Full load torque	146			Nm
DOL Starting torque vs FL torque	3,34			
DOL Pull up torque vs FL torque	2,18			
DOL Pull out torque vs FL torque	3,42			
Star-Delta Starting torque vs FL torque	1,05			
Star-Delta Pull up torque vs FL torque	0,68			
Star-Delta Pull out torque vs FL torque	1,07			
DOL Starting current vs FL current	7,46			
Star Delta Starting current vs FL current	2,33			
Rotor Inertia				kgm ²
Bearing DE	6313 - ZZ C3			
Bearing NDE	6313 - ZZ C3			

WI	Change	date	sign.
Dutchi Motors B.V. P.O. Box 5390 NL-6802 EJ ARNHEM Tel : +31-(0)26 - 3541 600 Fax : +31-(0)26 - 3541 650		Discription Drawing made by : 27-04-04	date sign. HvD
		dutchi.motors@dutchi.nl www.dutchi.com	