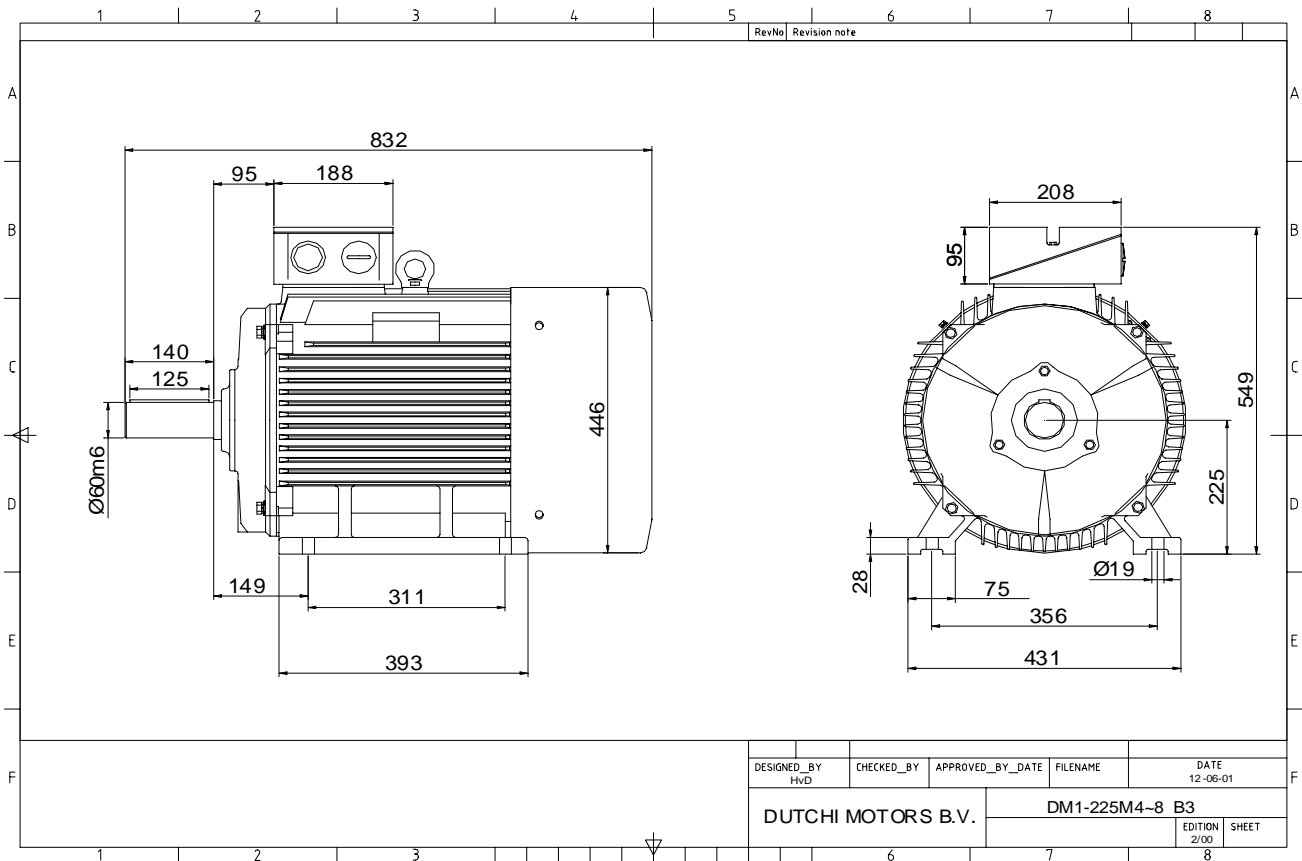


Power is our commodity, the world is our market !



Specification **IEC 60034-1**
 Manufacturer **Dutchi Motors B.V.**
 Motor type **DM1-HE 225M4**
 Rated power **45,00** kW **S1** duty
 Speed **1475** r.p.m
 Voltage **400** / **690** V
 Frequency **50** Hz
 Connection **Δ** / **Y**
 Amps full load **79,4** / **45,8** A
 Amps no-load(400V) **23,00** A
 Enclosure **IP 55**
 Insulation Class **F (temp. rise B (80 K))**

Max. coolant temp. **40°C**
 Max. altitude **1.000** mtr, above sea level
 Comment **3 x PTC 150°C**
 Cable entries **2 x M50x1,5 + 1 x M20x1,5 (ptc)**

Feature **Cast-iron motor**
 Weight **kg**
 Catalog no. **11134A45DH**
 Warranty **12~18 months**

Efficiency class **EFF 1**
 Load data 100% 75% 50% 25%
 Efficiency **94,0 94,3 93,8 90,4** %
 Power factor **0,87 0,86 0,80 0,58**

Sound pressure level (1m) **63,9** dB(A)
 Resistance R20 (open) **0,123** Ω
 Resistance R20 **Δ 0,082** Ω

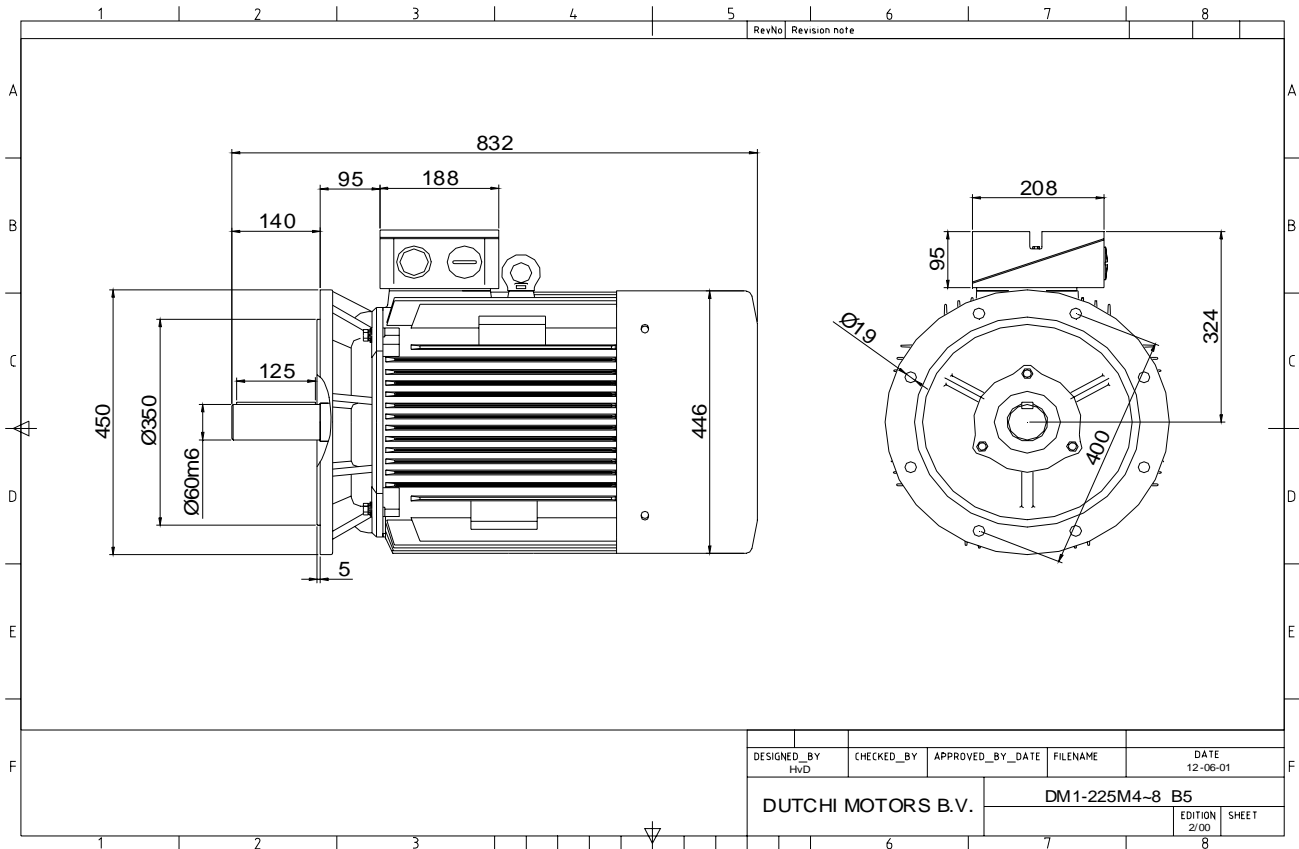
Full load torque **291** Nm
 DOL Starting torque vs FL torque **2,01**
 DOL Pull up torque vs FL torque **1,49**
 DOL Pull out torque vs FL torque **2,99**
 Star-Delta Starting torque vs FL torque **0,63**
 Star-Delta Pull up torque vs FL torque **0,46**
 Star-Delta Pull out torque vs FL torque **0,94**
 DOL Starting current vs FL current **6,63**
 Star Delta Starting current vs FL current **2,07**

Rotor Inertia **kgm2**

Bearing DE **6313 - ZZ C3**
 Bearing NDE **6313 - ZZ C3**

WI	Change	date	sign.
Dutchi Motors B.V.		Description	date
P.O. Box 5390		Drawing made by :	27-04-04
NL-6802 EJ ARNHEM			
Tel : +31-(0)26 - 3541 600		dutchi.motors@dutchi.nl	
Fax : +31-(0)26 - 3541 650		www.dutchi.com	

Power is our commodity, the world is our market !



Specification **IEC 60034-1**
 Manufacturer **Dutchi Motors B.V.**
 Motor type **DM1-HE 225M4**
 Rated power **45,00** kW **S1** duty
 Speed **1475** r.p.m
 Voltage **400** / **690** V
 Frequency **50** Hz
 Connection **Δ** / **Y**
 Amps full load **79,4** / **45,8** A
 Amps no-load(400V) **23,00** A
 Enclosure **IP 55**
 Insulation Class **F (temp. rise B (80 K))**

Max. coolant temp. **40°C**
 Max. altitude **1.000** mtr, above sea level
 Comment **3 x PTC 150°C**
 Cable entries **2 x M50x1,5 + 1 x M20x1,5 (ptc)**

Feature **Cast-iron motor**
 Weight kg
 Catalog no. **112074A45DH**
 Warranty **12~18 months**

Efficiency class **EFF 1**
 Load data 100% 75% 50% 25%
 Efficiency **94,0 94,3 93,8 90,4** %
 Power factor **0,87 0,86 0,80 0,58**

Sound pressure level (1m) **63,9** dB(A)
 Resistance R20 (open) **0,123** Ω
 Resistance R20 **Δ 0,082** Ω

Full load torque **291** Nm
 DOL Starting torque vs FL torque **2,01**
 DOL Pull up torque vs FL torque **1,49**
 DOL Pull out torque vs FL torque **2,99**
 Star-Delta Starting torque vs FL torque **0,63**
 Star-Delta Pull up torque vs FL torque **0,46**
 Star-Delta Pull out torque vs FL torque **0,94**
 DOL Starting current vs FL current **6,63**
 Star Delta Starting current vs FL current **2,07**

Rotor Inertia kgm2

Bearing DE **6313 - ZZ C3**
 Bearing NDE **6313 - ZZ C3**

WI	Change	date	sign.
Dutchi Motors B.V.		Description	date
P.O. Box 5390		Drawing made by :	27-04-04
NL-6802 EJ ARNHEM			
Tel : +31-(0)26 - 3541 600		dutchi.motors@dutchi.nl	
Fax : +31-(0)26 - 3541 650		www.dutchi.com	