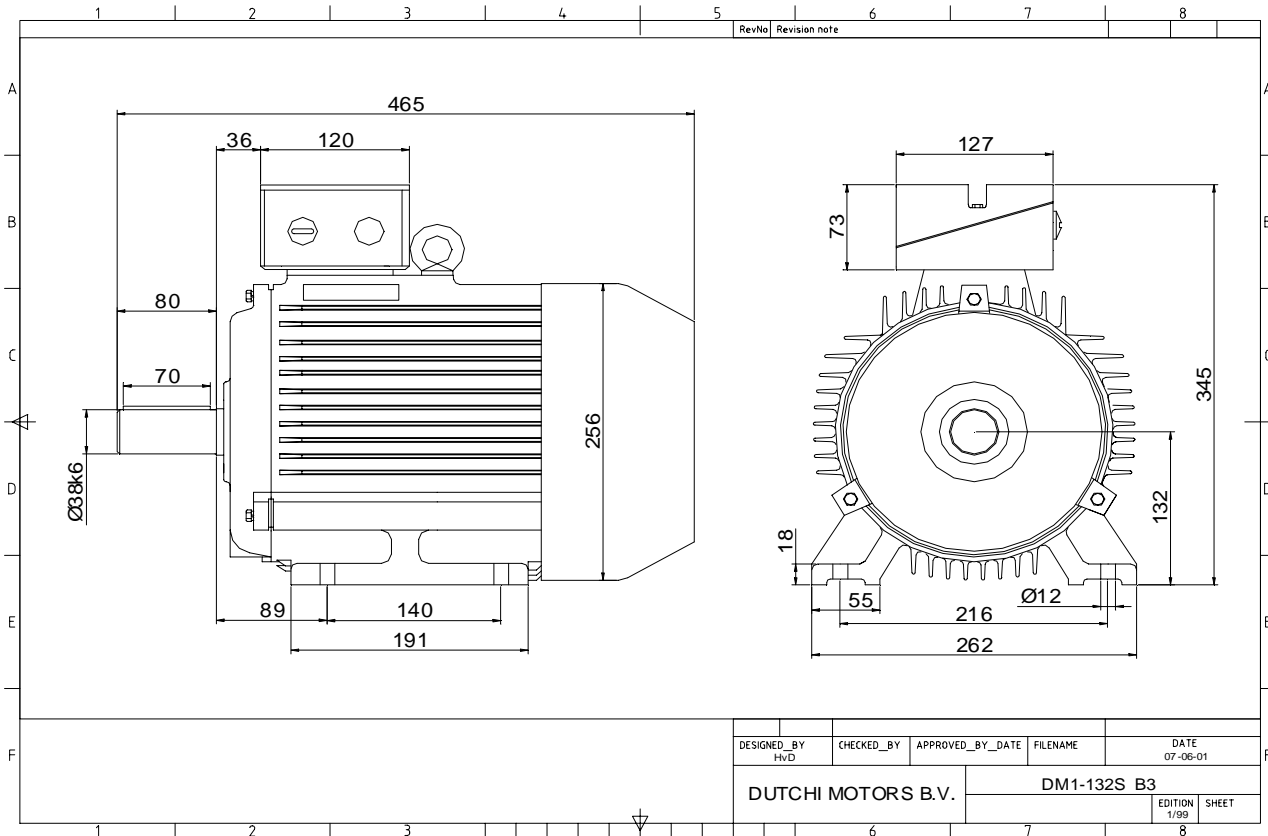


Power is our commodity, the world is our market !



Specification **IEC 60034-1**
 Manufacturer **Dutchi Motors B.V.**
 Motor type **DM1-HE 132S2**
 Rated power **5,50** kW **S1** duty
 Speed **2920** r.p.m
 Voltage **400** / **690** V
 Frequency **50** Hz
 Connection **Δ** / **Y**
 Amps full load **10,08** / **5,82** A
 Amps no-load(400V) **3,36** A
 Enclosure **IP 55**
 Insulation Class **F (temp. rise B (80 K))**

Max. coolant temp. **40°C**
 Max. altitude **1.000** mtr, above sea level
 Comment **4 x PTC 150°C**
 Cable entries **2 x M32x1,5 + 1 x M20x1,5 (ptc)**

Feature **Cast-iron motor**
 Weight **kg**
 Catalog no. **11132550DH**
 Warranty **12~18 months**

Efficiency class **EFF 2**
 Load data 100% 75% 50% 25%
 Efficiency **88,8 88,7 87,3 81,0** %
 Power factor **0,89 0,85 0,79 0,69**

Sound pressure level (1m) **70,5** dB(A)
 Resistance R20 (open) **1,94** Ω
 Resistance R20 **Δ 1,30** Ω

Full load torque **17,99** Nm
 DOL Starting torque vs FL torque **1,96**
 DOL Pull up torque vs FL torque **1,54**
 DOL Pull out torque vs FL torque **3,44**
 Star-Delta Starting torque vs FL torque **0,61**
 Star-Delta Pull up torque vs FL torque **0,48**
 Star-Delta Pull out torque vs FL torque **1,07**
 DOL Starting current vs FL current **7,17**
 Star Delta Starting current vs FL current **2,24**

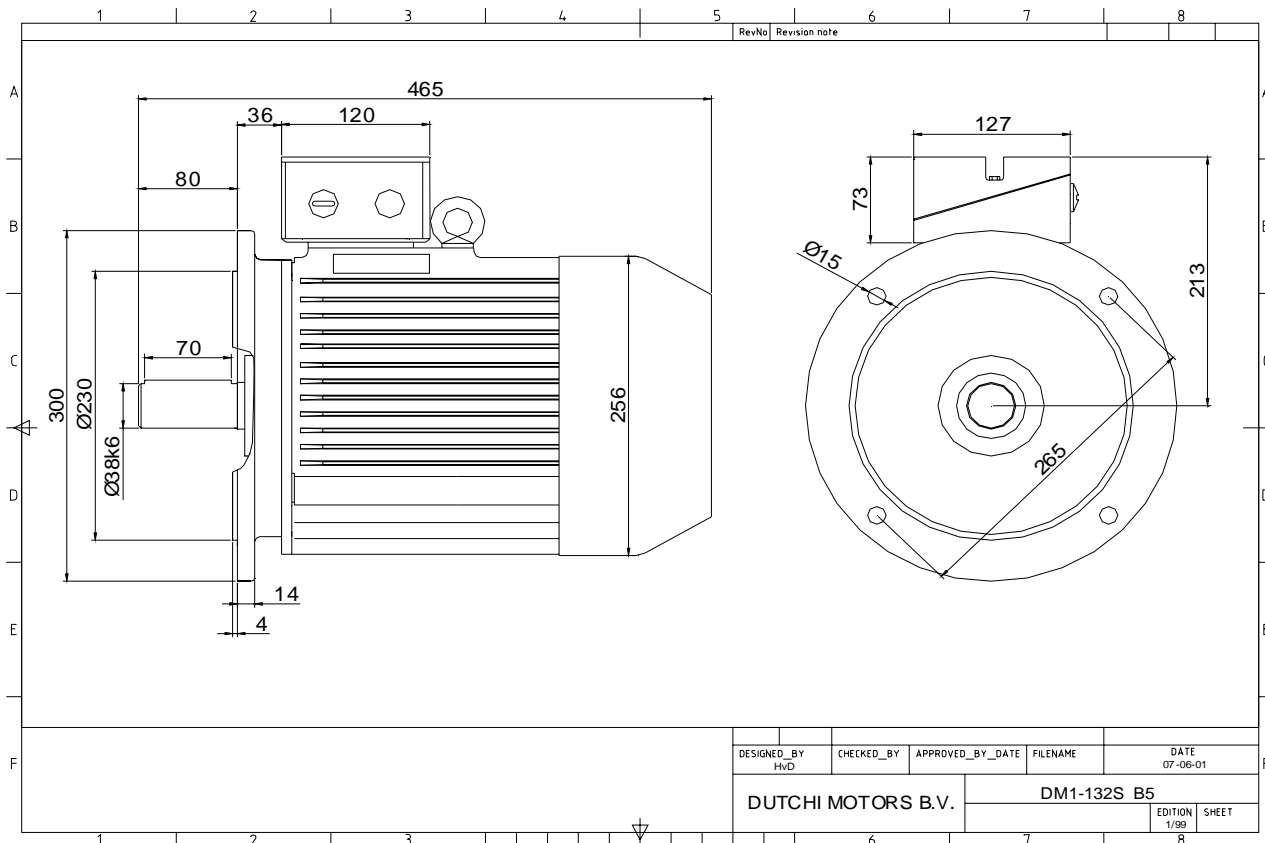
Rotor Inertia **kgm2**

Bearing DE **6308 - ZZ C3**
 Bearing NDE **6308 - ZZ C3**

voorbeelden - extra's

WI	Change	date	sign.
Dutchi Motors B.V. P.O. Box 5390 NL-6802 EJ ARNHEM Tel : +31-(0)26 - 3541 600 Fax : +31-(0)26 - 3541 650		Discription	date
		Drawing made by :	19-04-04
		sign.	HvD
		dutchi.motors@dutchi.nl www.dutchi.com	

Power is our commodity, the world is our market !



Specification	IEC 60034-1
Manufacturer	Dutchi Motors B.V.
Motor type	DM1-HE 132S2
Rated power	5,50 kW S1 duty
Speed	2920 r.p.m
Voltage	400 / 690 V
Frequency	50 Hz
Connection	Δ / Y
Amps full load	10,08 / 5,82 A
Amps no-load(400V)	3,36 A
Enclosure	IP 55
Insulation Class	F (temp. rise B (80 K))
Max. coolant temp.	40°C
Max. altitude	1.000 mtr, above sea level
Comment	4 x PTC 150°C
Cable entries	2 x M32x1,5 + 1 x M20x1,5 (ptc)
Feature	Cast-iron motor
Weight	kg
Catalog no.	11232550DH
Warranty	12~18 months

Efficiency class	EFF 2			
Load data	100%	75%	50%	25%
Efficiency	88,8	88,7	87,3	81,0 %
Power factor	0,89	0,85	0,79	0,69
Sound pressure level (1m)				70,5 dB(A)
Resistance R20 (open)				1,94 Ω
Resistance R20	Δ			1,30 Ω
Full load torque				17,99 Nm
DOL Starting torque vs FL torque				1,96
DOL Pull up torque vs FL torque				1,54
DOL Pull out torque vs FL torque				3,44
Star-Delta Starting torque vs FL torque				0,61
Star-Delta Pull up torque vs FL torque				0,48
Star-Delta Pull out torque vs FL torque				1,07
DOL Starting current vs FL current				7,17
Star Delta Starting current vs FL current				2,24
Rotor Inertia				kgm ²
Bearing DE				6308 - ZZ C3
Bearing NDE				6308 - ZZ C3

voorbeelden - extra's

WI	Change	date	sign.
Dutchi Motors B.V. P.O. Box 5390 NL-6802 EJ ARNHEM Tel : +31-(0)26 - 3541 600 Fax : +31-(0)26 - 3541 650		Discription Drawing made by :	date 19-04-04
dutchi.motors@dutchi.nl www.dutchi.com		sign. HVD	