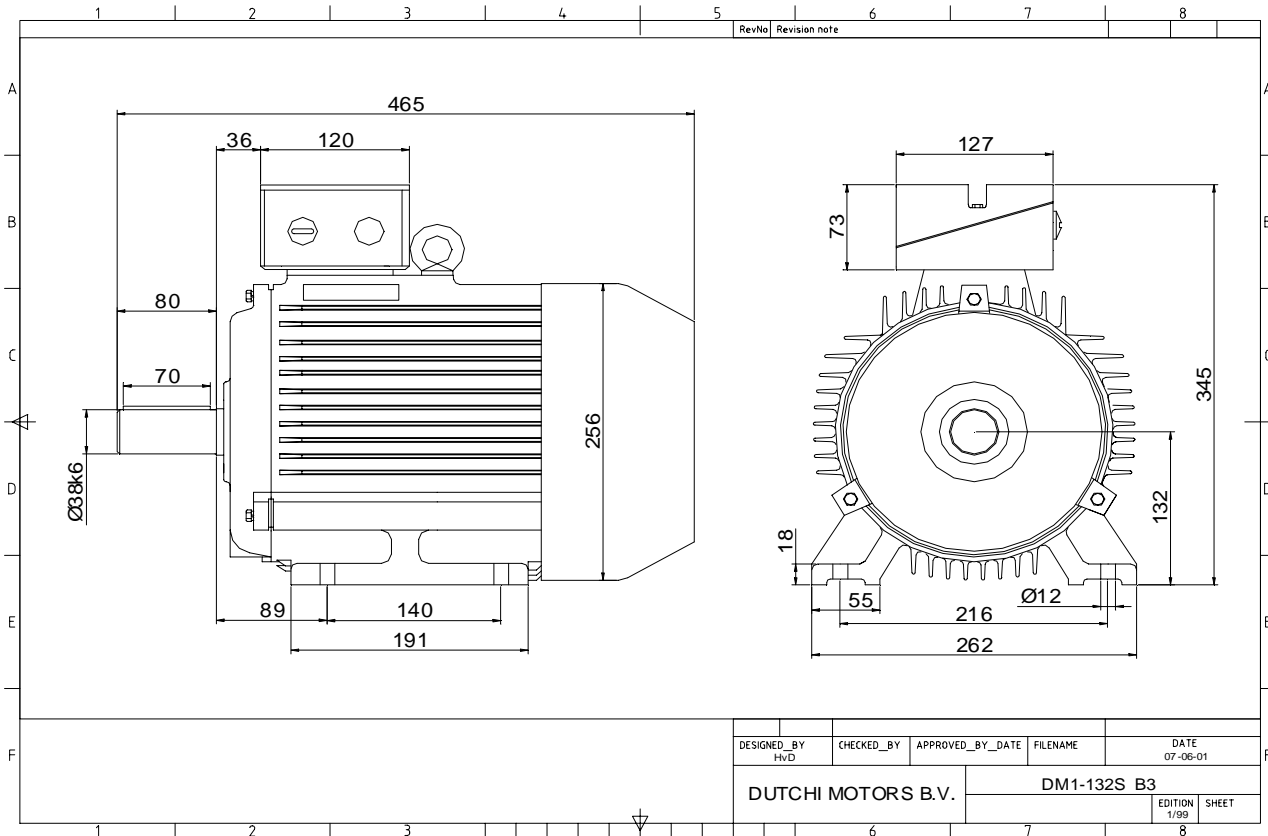


Power is our commodity, the world is our market !



Specification **IEC 60034-1**
 Manufacturer **Dutchi Motors B.V.**
 Motor type **DM1-HE 132S4**
 Rated power **5,50** kW **S1** duty
 Speed **1450** r.p.m
 Voltage **400** / **690** V
 Frequency **50** Hz
 Connection **Δ** / **Y**
 Amps full load **11,05** / **6,38** A
 Amps no-load(400V) **5,30** A
 Enclosure **IP 55**
 Insulation Class **F (temp. rise B (80 K))**

Max. coolant temp. **40°C**
 Max. altitude **1.000** mtr, above sea level
 Comment **3 x PTC 150°C**
 Cable entries **2 x M32x1,5 + 1 x M20x1,5 (ptc)**

Feature **Cast-iron motor**
 Weight **kg**
 Catalog no. **11134550DH**
 Warranty **12~18 months**

Efficiency class **EFF 1**
 Load data 100% 75% 50% 25%
 Efficiency **89,2 89,7 88,8 83,6** %
 Power factor **0,81 0,75 0,64 0,42**

Sound pressure level (1m) **43,9** dB(A)
 Resistance R20 (open) **2,01** Ω
 Resistance R20 **Δ 1,34** Ω

Full load torque **36,22** Nm
 DOL Starting torque vs FL torque **2,39**
 DOL Pull up torque vs FL torque **1,58**
 DOL Pull out torque vs FL torque **3,29**
 Star-Delta Starting torque vs FL torque **0,75**
 Star-Delta Pull up torque vs FL torque **0,49**
 Star-Delta Pull out torque vs FL torque **1,03**
 DOL Starting current vs FL current **7,12**
 Star Delta Starting current vs FL current **2,22**

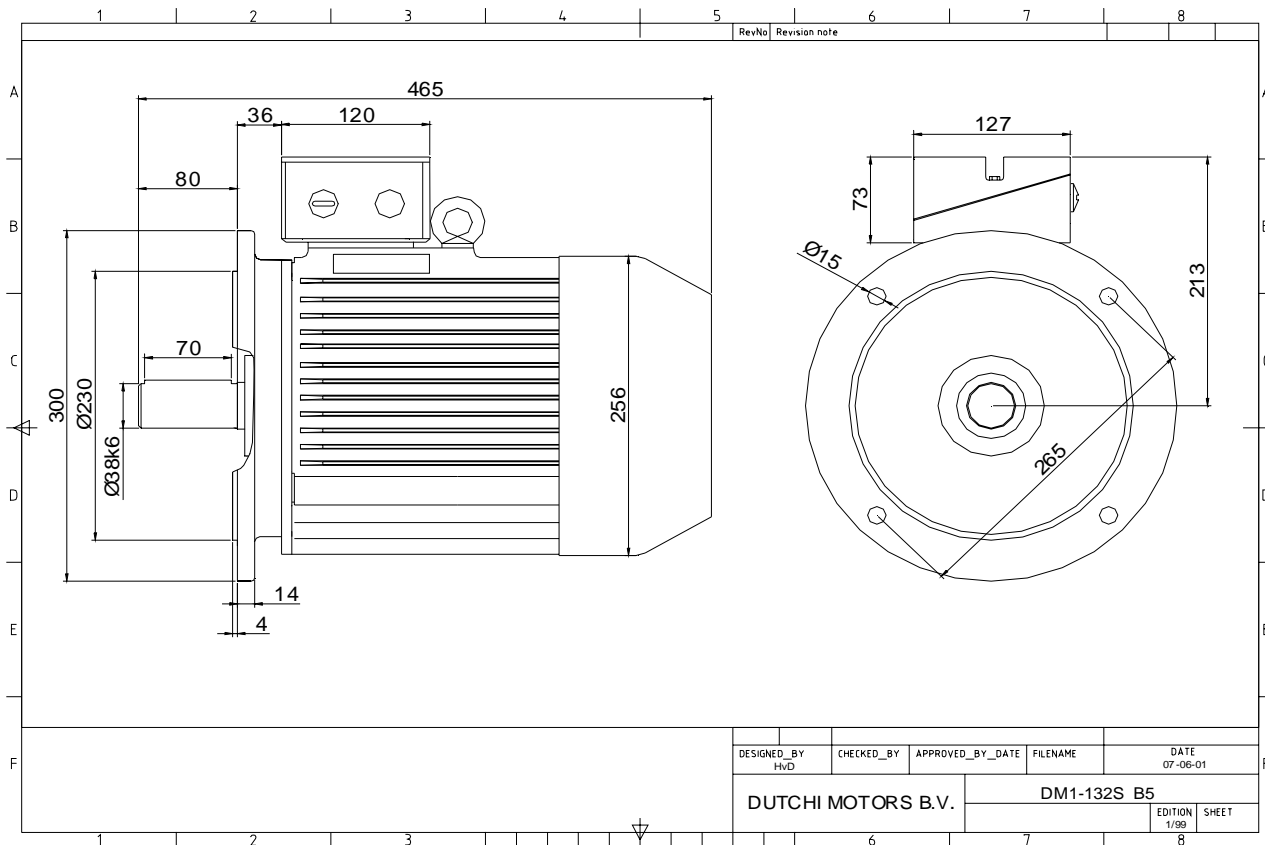
Rotor Inertia **kgm2**

Bearing DE **6308 - ZZ C3**
 Bearing NDE **6308 - ZZ C3**

voorbeelden - extra's

WI	Change	date	sign.
Dutchi Motors B.V. P.O. Box 5390 NL-6802 EJ ARNHEM Tel : +31-(0)26 - 3541 600 Fax : +31-(0)26 - 3541 650		Discription Drawing made by : 19-04-04	date sign. HVD
dutchi.motors@dutchi.nl www.dutchi.com			

Power is our commodity, the world is our market !



Specification	IEC 60034-1
Manufacturer	Dutchi Motors B.V.
Motor type	DM1-HE 132S4
Rated power	5,50 kW S1 duty
Speed	1450 r.p.m
Voltage	400 / 690 V
Frequency	50 Hz
Connection	Δ / Y
Amps full load	11,05 / 6,38 A
Amps no-load(400V)	5,30 A
Enclosure	IP 55
Insulation Class	F (temp. rise B (80 K))
Max. coolant temp.	40°C
Max. altitude	1.000 mtr, above sea level
Comment	3 x PTC 150°C
Cable entries	2 x M32x1,5 + 1 x M20x1,5 (ptc)
Feature	Cast-iron motor
Weight	kg
Catalog no.	11234550DH
Warranty	12~18 months

Efficiency class	EFF 1
Load data	100% 75% 50% 25%
Efficiency	89,2 89,7 88,8 83,6 %
Power factor	0,81 0,75 0,64 0,42
Sound pressure level (1m)	43,9 dB(A)
Resistance R20 (open)	2,01 Ω
Resistance R20	Δ 1,34 Ω
Full load torque	36,22 Nm
DOL Starting torque vs FL torque	2,39
DOL Pull up torque vs FL torque	1,58
DOL Pull out torque vs FL torque	3,29
Star-Delta Starting torque vs FL torque	0,75
Star-Delta Pull up torque vs FL torque	0,49
Star-Delta Pull out torque vs FL torque	1,03
DOL Starting current vs FL current	7,12
Star Delta Starting current vs FL current	2,22
Rotor Inertia	kgm ²
Bearing DE	6308 - ZZ C3
Bearing NDE	6308 - ZZ C3

voorbeelden - extra's

WI	Change	date	sign.
Dutchi Motors B.V. P.O. Box 5390 NL-6802 EJ ARNHEM Tel : +31-(0)26 - 3541 600 Fax : +31-(0)26 - 3541 650		Discription Drawing made by : 19-04-04	date sign. HVD
dutchi.motors@dutchi.nl www.dutchi.com			