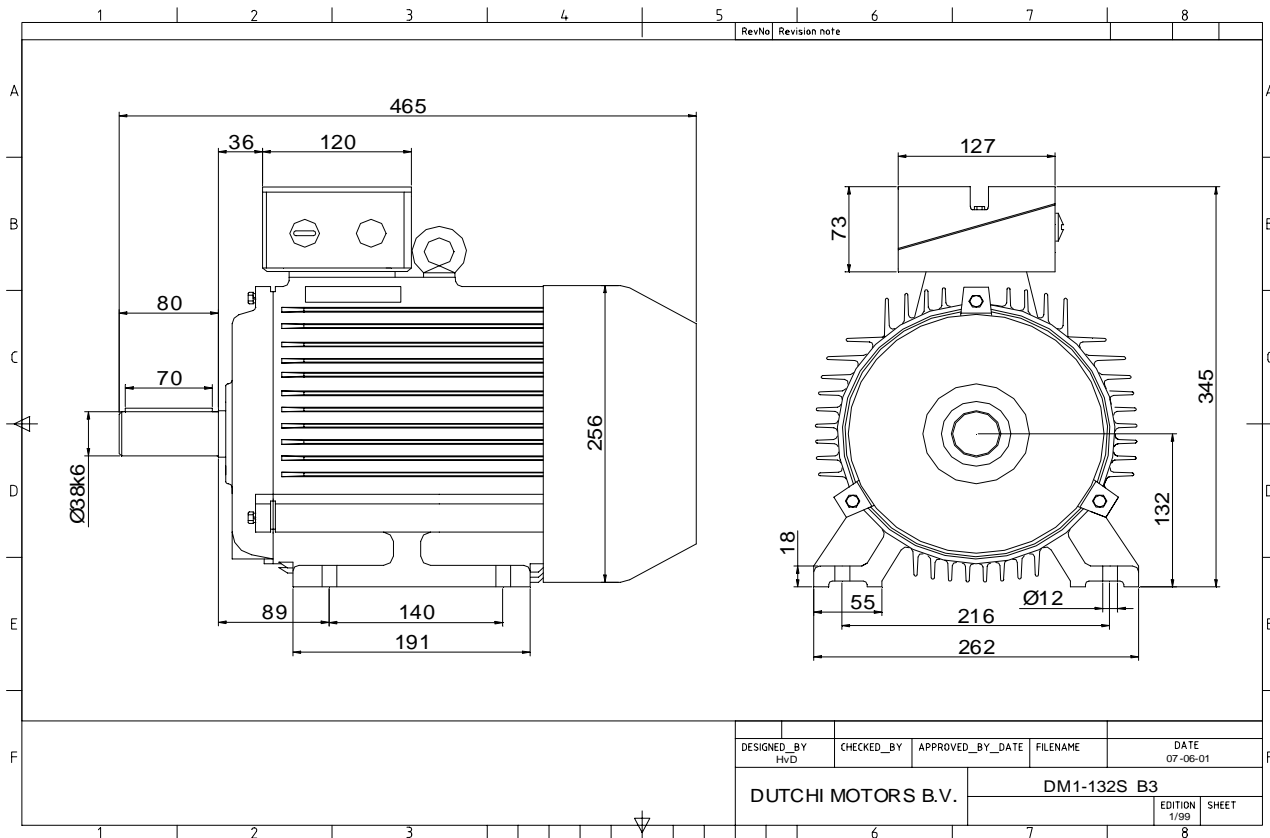


Power is our commodity, the world is our market !



Specification **IEC 60034-1**  
 Manufacturer **Dutchi Motors B.V.**  
 Motor type **DM1-HE 132SX2**  
 Rated power **7,50** kW **S1** duty  
 Speed **2920** r.p.m  
 Voltage **400** / **690** V  
 Frequency **50** Hz  
 Connection **Δ** / **Y**  
 Amps full load **13,79** / **7,96** A  
 Amps no-load(400V) **5,30** A  
 Enclosure **IP 55**  
 Insulation Class **F (temp. rise B (80 K))**

Max. coolant temp. **40°C**  
 Max. altitude **1.000** mtr, above sea level  
 Comment **3 x PTC 150°C**  
 Cable entries **2 x M32x1,5 + 1 x M20x1,5 (ptc)**

Feature **Cast-iron motor**  
 Weight **kg**  
 Catalog no. **11134550DH**  
 Warranty **12~18 months**

Efficiency class **EFF 1**  
 Load data 100% 75% 50% 25%  
 Efficiency **89,9 90,0 88,5 82,2** %  
 Power factor **0,87 0,84 0,75 0,53**

Sound pressure level (1m) **66,0** dB(A)  
 Resistance R20 (open) **1,27** Ω  
 Resistance R20 **Δ 0,85** Ω

Full load torque **24,53** Nm  
 DOL Starting torque vs FL torque **2,21**  
 DOL Pull up torque vs FL torque **1,80**  
 DOL Pull out torque vs FL torque **4,01**  
 Star-Delta Starting torque vs FL torque **0,69**  
 Star-Delta Pull up torque vs FL torque **0,56**  
 Star-Delta Pull out torque vs FL torque **1,25**  
 DOL Starting current vs FL current **8,19**  
 Star Delta Starting current vs FL current **2,56**

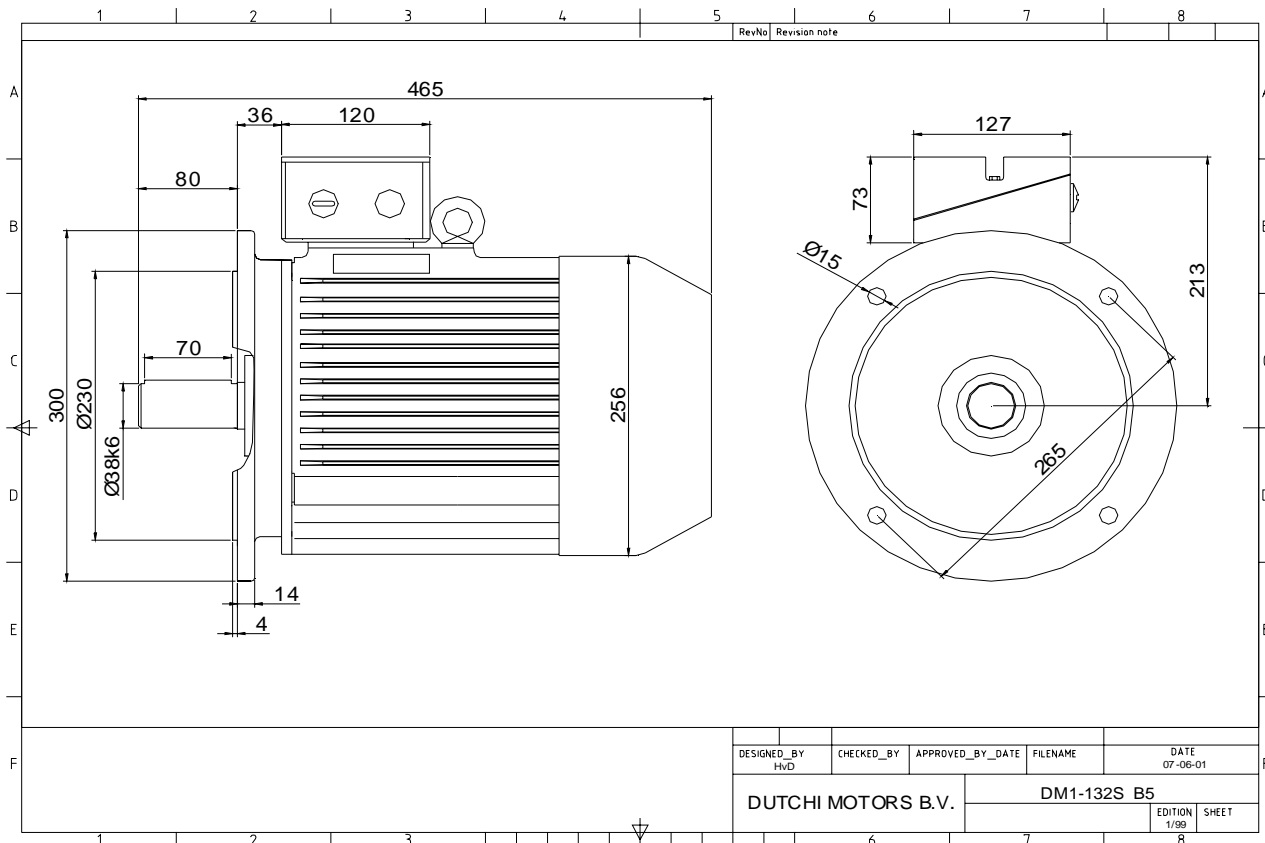
Rotor Inertia **kgm2**

Bearing DE **6308 - ZZ C3**  
 Bearing NDE **6308 - ZZ C3**

voorbeelden - extra's

WI	Change	date	sign.
Dutchi Motors B.V.		Description	date
P.O. Box 5390		Drawing made by :	19-04-04
NL-6802 EJ ARNHEM			
Tel : +31-(0)26 - 3541 600		<b>dutchi.motors@dutchi.nl</b>	
Fax : +31-(0)26 - 3541 650		<b>www.dutchi.com</b>	

Power is our commodity, the world is our market !



Specification	<b>IEC 60034-1</b>
Manufacturer	<b>Dutchi Motors B.V.</b>
Motor type	<b>DM1-HE 132SX2</b>
Rated power	<b>7,50</b> kW <b>S1</b> duty
Speed	<b>2920</b> r.p.m
Voltage	<b>400</b> / <b>690</b> V
Frequency	<b>50</b> Hz
Connection	<b>Δ</b> / <b>Y</b>
Amps full load	<b>13,79</b> / <b>7,96</b> A
Amps no-load(400V)	<b>5,30</b> A
Enclosure	<b>IP 55</b>
Insulation Class	<b>F (temp. rise B (80 K))</b>
Max. coolant temp.	<b>40°C</b>
Max. altitude	<b>1.000</b> mtr, above sea level
Comment	<b>3 x PTC 150°C</b>
Cable entries	<b>2 x M32x1,5 + 1 x M20x1,5 (ptc)</b>
Feature	<b>Cast-iron motor</b>
Weight	kg
Catalog no.	<b>11234550DH</b>
Warranty	<b>12~18 months</b>

Efficiency class	<b>EFF 1</b>			
Load data	100%	75%	50%	25%
Efficiency	<b>89,9</b>	<b>90,0</b>	<b>88,5</b>	<b>82,2</b> %
Power factor	<b>0,87</b>	<b>0,84</b>	<b>0,75</b>	<b>0,53</b>
Sound pressure level (1m)				<b>66,0</b> dB(A)
Resistance R20 (open)				<b>1,27</b> Ω
Resistance R20	<b>Δ</b>			<b>0,85</b> Ω
Full load torque				<b>24,53</b> Nm
DOL Starting torque vs FL torque				<b>2,21</b>
DOL Pull up torque vs FL torque				<b>1,80</b>
DOL Pull out torque vs FL torque				<b>4,01</b>
Star-Delta Starting torque vs FL torque				<b>0,69</b>
Star-Delta Pull up torque vs FL torque				<b>0,56</b>
Star-Delta Pull out torque vs FL torque				<b>1,25</b>
DOL Starting current vs FL current				<b>8,19</b>
Star Delta Starting current vs FL current				<b>2,56</b>
Rotor Inertia				kgm <sup>2</sup>
Bearing DE				<b>6308 - ZZ C3</b>
Bearing NDE				<b>6308 - ZZ C3</b>

voorbeelden - extra's

WI	Change	date	sign.
<b>Dutchi Motors B.V.</b> P.O. Box 5390 NL-6802 EJ ARNHEM Tel : +31-(0)26 - 3541 600 Fax : +31-(0)26 - 3541 650	Discription	date	sign.
	Drawing made by :	19-04-04	HvD
	<b>dutchi.motors@dutchi.nl</b> <b>www.dutchi.com</b>		