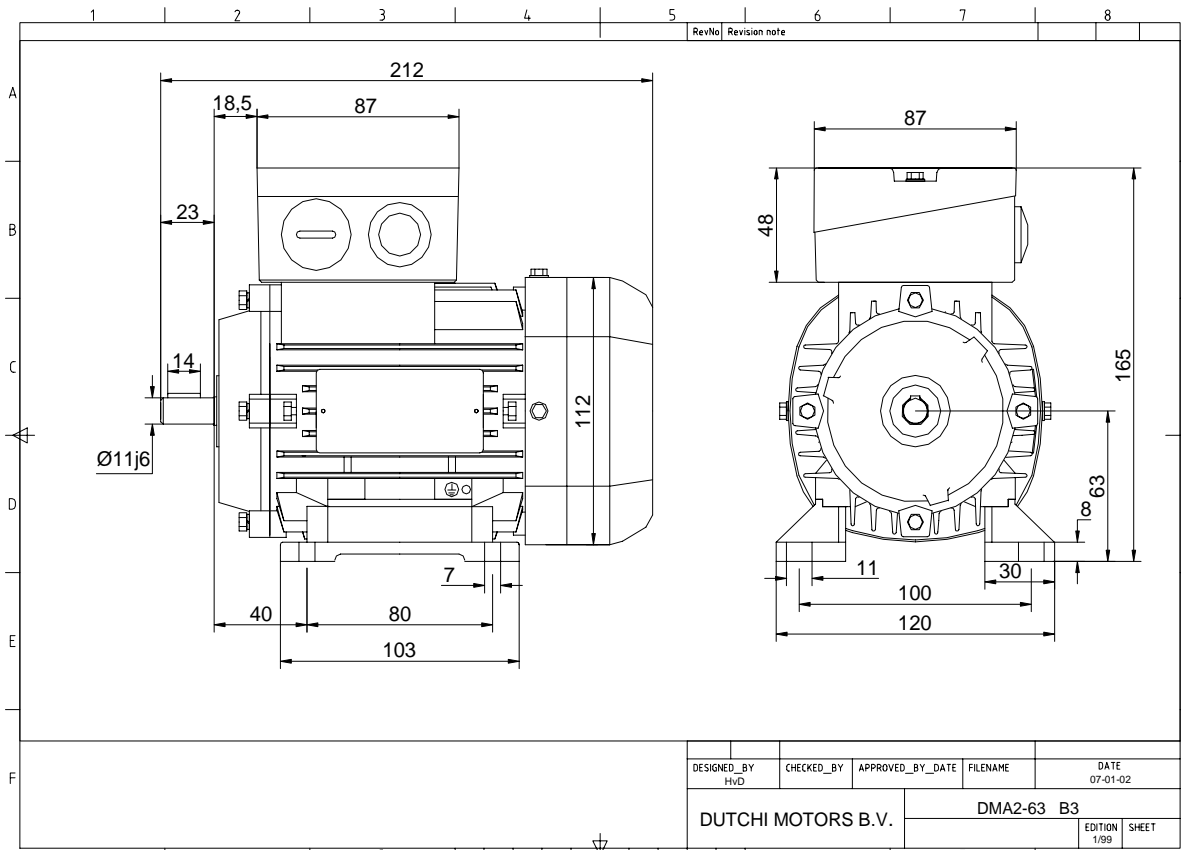


Power is our commodity, the world is our market !

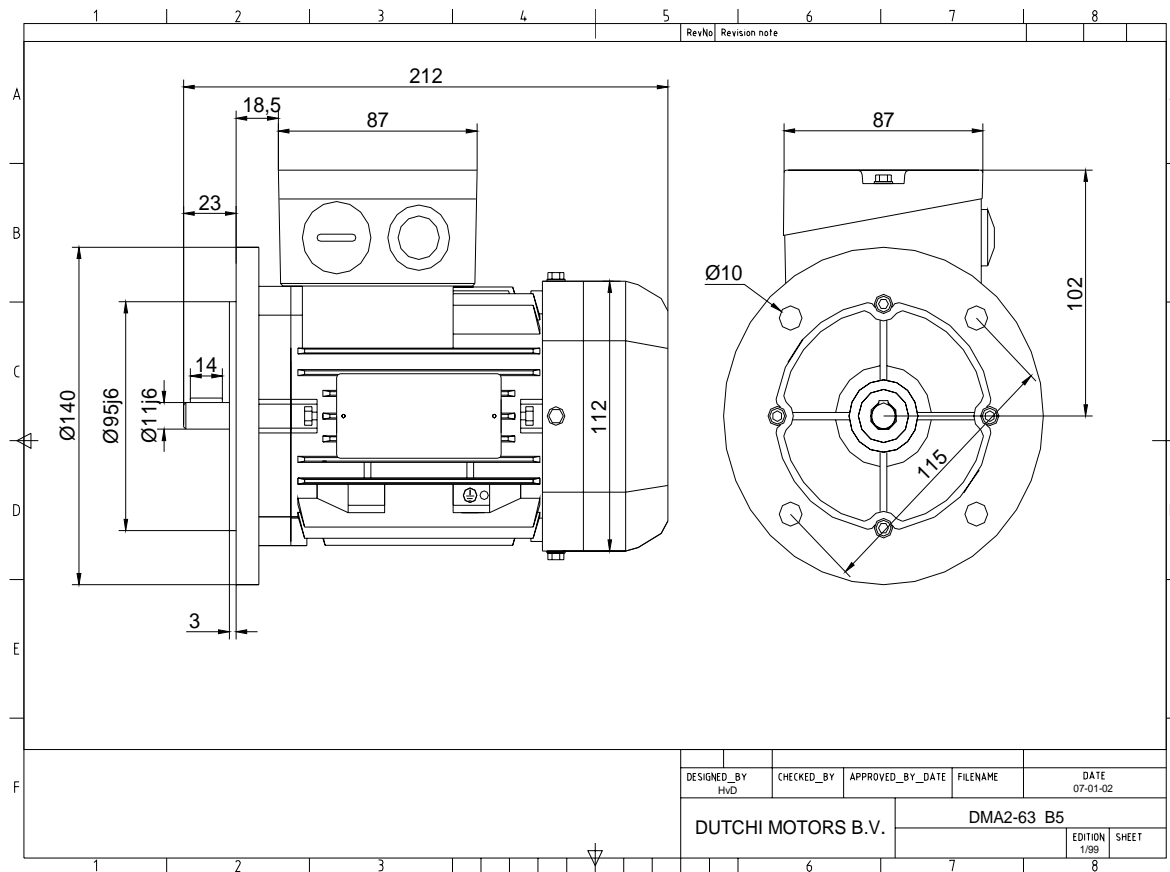


Specification	IEC 60034-1
Manufacturer	Dutchi Motors B.V.
Motor type	DMA2- 63 G2
Rated power	0,25 kW S1 duty
Speed	2610 r.p.m
Voltage	230 / 400 V
Frequency	50 Hz
Connection	Δ / Y
Amps full load	1,26 / 0,73 A
Amps no-load(400V)	0,54 A
Enclosure	IP 55
Insulation Class	F (temp. rise B (80 K))
Max. coolant temp.	40°C
Max. altitude	1.000 mtr, above sea level
Comment	
Cable entries	2 x M20*1,5
Feature	Aluminium motor
Weight	4,4 kg
Catalog no.	18122025D
Warranty	12~18 months

Efficiency class	N/A			
Load data	100%	75%	50%	25%
Efficiency	68,2	69,4	65,7	52,6 %
Power factor	0,73	0,62	0,47	0,31
Sound pressure level (1m)	51,6 dB(A)			
Resistance R20 (open)	26,58 Ω			
Resistance R20	Y		53,15 Ω	
Full load torque	0,91 Nm			
DOL Starting torque vs FL torque	3,04			
DOL Pull up torque vs FL torque	1,84			
DOL Pull out torque vs FL torque	3,25			
Star-Delta Starting torque vs FL torque	Y - motor			
Star-Delta Pull up torque vs FL torque	Y - motor			
Star-Delta Pull out torque vs FL torque	Y - motor			
DOL Starting current vs FL current	4,11			
Star Delta Starting current vs FL current	Y - motor			
Rotor Inertia	0,000113 kgm ²			
Bearing DE	6201 - ZZ			
Bearing NDE	6201 - ZZ			

WI	Change	date	sign.
Dutchi Motors B.V. P.O. Box 5390 NL-6802 EJ ARNHEM Tel : +31-(0)26 - 3541 600 Fax : +31-(0)26 - 3541 650		Discription Drawing made by :	date 19-04-04 sign. HvD
		dutchi.motors@dutchi.nl www.dutchi.com	

Power is our commodity, the world is our market !



Specification **IEC 60034-1**
 Manufacturer **Dutchi Motors B.V.**
 Motor type **DMA2- 63 G2**
 Rated power **0,25** kW **S1** duty
 Speed **2610** r.p.m
 Voltage **230 / 400** V
 Frequency **50** Hz
 Connection **Δ / Y**
 Amps full load **1,26 / 0,73** A
 Amps no-load(400V) **0,54** A
 Enclosure **IP 55**
 Insulation Class **F (temp. rise B (80 K))**

Max. coolant temp. **40°C**
 Max. altitude **1.000** mtr, above sea level
 Comment
 Cable entries **2 x M20*1,5**

Feature **Aluminium motor**
 Weight **4,4** kg
 Catalog no. **18222025D**
 Warranty **12~18 months**

Efficiency class **N/A**
 Load data 100% 75% 50% 25%
 Efficiency **68,2 69,4 65,7 52,6** %
 Power factor **0,73 0,62 0,47 0,31**

Sound pressure level (1m) **51,6** dB(A)
 Resistance R20 (open) **26,58** Ω
 Resistance R20 **Y 53,15** Ω

Full load torque **0,91** Nm
 DOL Starting torque vs FL torque **3,04**
 DOL Pull up torque vs FL torque **1,84**
 DOL Pull out torque vs FL torque **3,25**
 Star-Delta Starting torque vs FL torque **Y - motor**
 Star-Delta Pull up torque vs FL torque **Y - motor**
 Star-Delta Pull out torque vs FL torque **Y - motor**
 DOL Starting current vs FL current **4,11**
 Star Delta Starting current vs FL current **Y - motor**
 Rotor Inertia **0,000113** kgm2

Bearing DE **6201 - ZZ**
 Bearing NDE **6201 - ZZ**

WI	Change	date	sign.
Dutchi Motors B.V.		Description	date
P.O. Box 5390		Drawing made by :	19-04-04
NL-6802 EJ ARNHEM			
Tel : +31-(0)26 - 3541 600		dutchi.motors@dutchi.nl	
Fax : +31-(0)26 - 3541 650		www.dutchi.com	