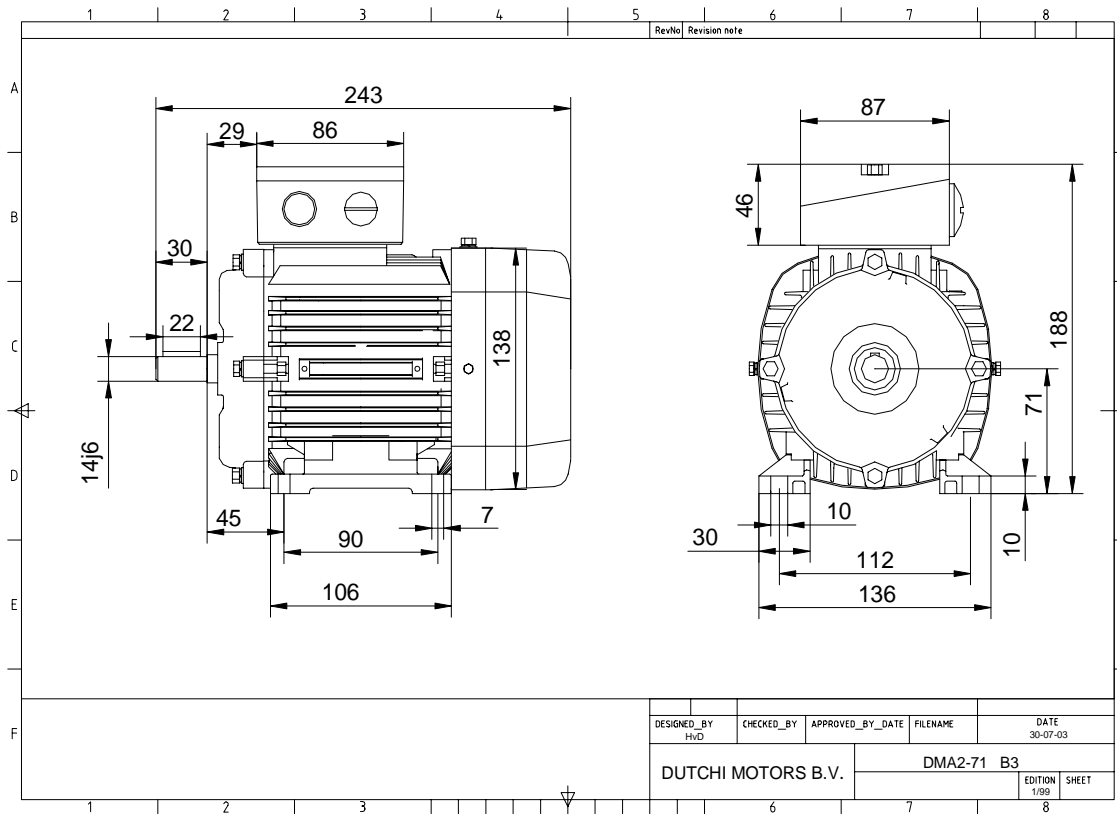


Power is our commodity, the world is our market !



Specification **IEC 60034-1**
 Manufacturer **Dutchi Motors B.V.**
 Motor type **DMA2- 71 G4**
 Rated power **0,37** kW **S1** duty
 Speed **1320** r.p.m
 Voltage **230 / 400** V
 Frequency **50** Hz
 Connection **Δ / Y**
 Amps full load **1,85 / 1,07** A
 Amps no-load(400V) **0,80** A
 Enclosure **IP 55**
 Insulation Class **F (temp. rise B (80 K))**

Max. coolant temp. **40°C**
 Max. altitude **1.000** mtr, above sea level
 Comment
 Cable entries **2 x M25x1,5 + 1 x M20x1,5 (ptc)**

Feature **Aluminium motor**
 Weight **6,7** kg
 Catalog no. **18124037D**
 Warranty **12~18 months**

Efficiency class **N/A**
 Load data 100% 75% 50% 25%
 Efficiency **67,9 67,2 60,8 42,6** %
 Power factor **0,74 0,65 0,52 0,34**

Sound pressure level (1m) **53,4** dB(A)
 Resistance R20 (open) **19,25** Ω
 Resistance R20 **Y 38,50** Ω

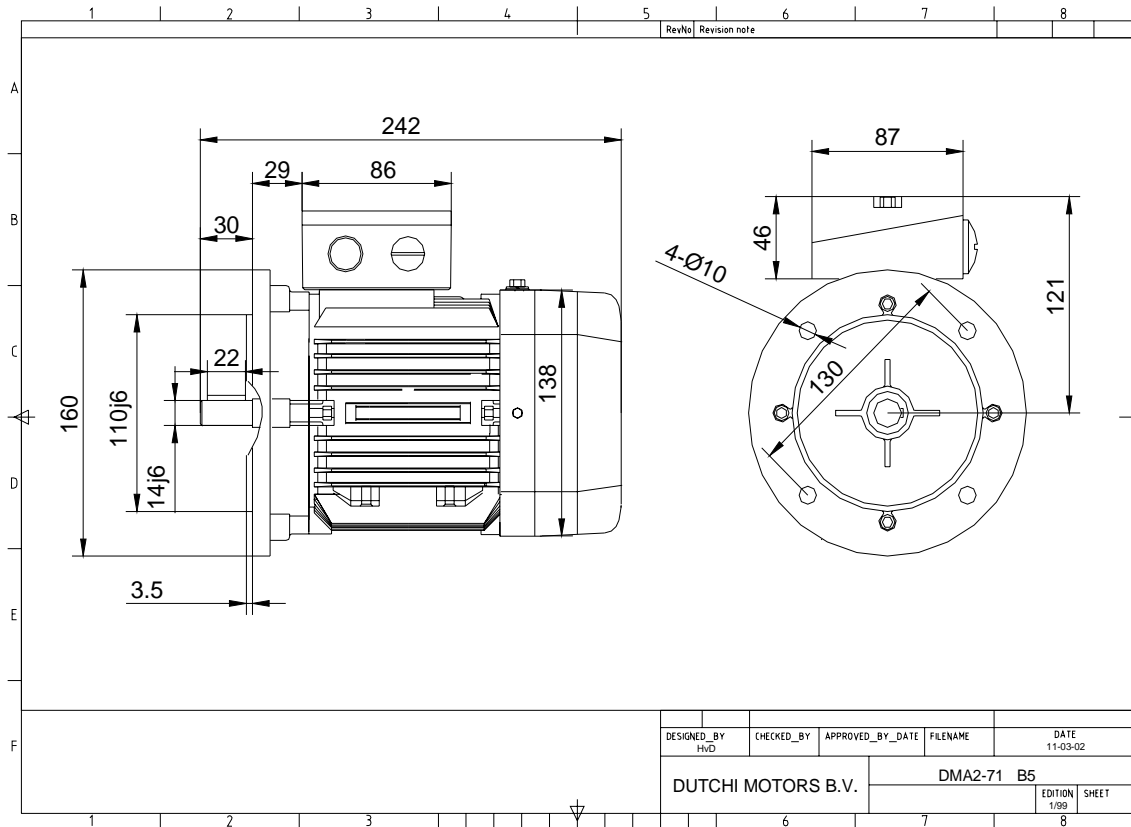
Full load torque **2,68** Nm
 DOL Starting torque vs FL torque **2,62**
 DOL Pull up torque vs FL torque **1,64**
 DOL Pull out torque vs FL torque **2,89**
 Star-Delta Starting torque vs FL torque **Y - motor**
 Star-Delta Pull up torque vs FL torque **Y - motor**
 Star-Delta Pull out torque vs FL torque **Y - motor**
 DOL Starting current vs FL current **4,38**
 Star Delta Starting current vs FL current **Y - motor**
 Rotor Inertia **0,000468** kgm²

Bearing DE **6202 - ZZ**
 Bearing NDE **6202 - ZZ**

| |
|--|
| |
| |
| |
| |
| |
| |
| |
| |

| | | | |
|----------------------------|--------|-------------------------|----------|
| WI | Change | date | sign. |
| | | | |
| Dutchi Motors B.V. | | Description | date |
| P.O. Box 5390 | | Drawing made by : | 19-04-04 |
| NL-6802 EJ ARNHEM | | | |
| Tel : +31-(0)26 - 3541 600 | | dutchi.motors@dutchi.nl | |
| Fax : +31-(0)26 - 3541 650 | | www.dutchi.com | |

Power is our commodity, the world is our market !



Specification **IEC 60034-1**
 Manufacturer **Dutchi Motors B.V.**
 Motor type **DMA2- 71 G4**
 Rated power **0,37** kW **S1** duty
 Speed **1320** r.p.m
 Voltage **230 / 400** V
 Frequency **50** Hz
 Connection **Δ / Y**
 Amps full load **1,85 / 1,07** A
 Amps no-load(400V) **0,80** A
 Enclosure **IP 55**
 Insulation Class **F (temp. rise B (80 K))**

Max. coolant temp. **40°C**
 Max. altitude **1.000** mtr, above sea level
 Comment
 Cable entries **2 x M25x1,5 + 1 x M20x1,5 (ptc)**

Feature **Alumimium motor**
 Weight **6,7** kg
 Catalog no. **18224037D**
 Warranty **12~18 months**

Efficiency class **N/A**
 Load data 100% 75% 50% 25%
 Efficiency **67,9 67,2 60,8 42,6** %
 Power factor **0,74 0,65 0,52 0,34**

Sound pressure level (1m) **53,4** dB(A)
 Resistance R20 (open) **19,25** Ω
 Resistance R20 **Y 38,50** Ω

Full load torque **2,68** Nm
 DOL Starting torque vs FL torque **2,62**
 DOL Pull up torque vs FL torque **1,64**
 DOL Pull out torque vs FL torque **2,89**
 Star-Delta Starting torque vs FL torque **Y - motor**
 Star-Delta Pull up torque vs FL torque **Y - motor**
 Star-Delta Pull out torque vs FL torque **Y - motor**
 DOL Starting current vs FL current **4,38**
 Star Delta Starting current vs FL current **Y - motor**
 Rotor Inertia **0,000468** kgm2

Bearing DE **6202 - ZZ**
 Bearing NDE **6202 - ZZ**

| |
|--|
| |
| |
| |
| |
| |
| |
| |
| |

| | | | |
|---|--------|----------------------------------|----------------------|
| WI | Change | date | sign. |
| | | | |
| Dutchi Motors B.V. P.O. Box 5390 NL-6802 EJ ARNHEM Tel : +31-(0)26 - 3541 600 Fax : +31-(0)26 - 3541 650 | | Discription Drawing made by : | date sign. HVD |
| dutchi.motors@dutchi.nl www.dutchi.com | | 19-04-04 | |