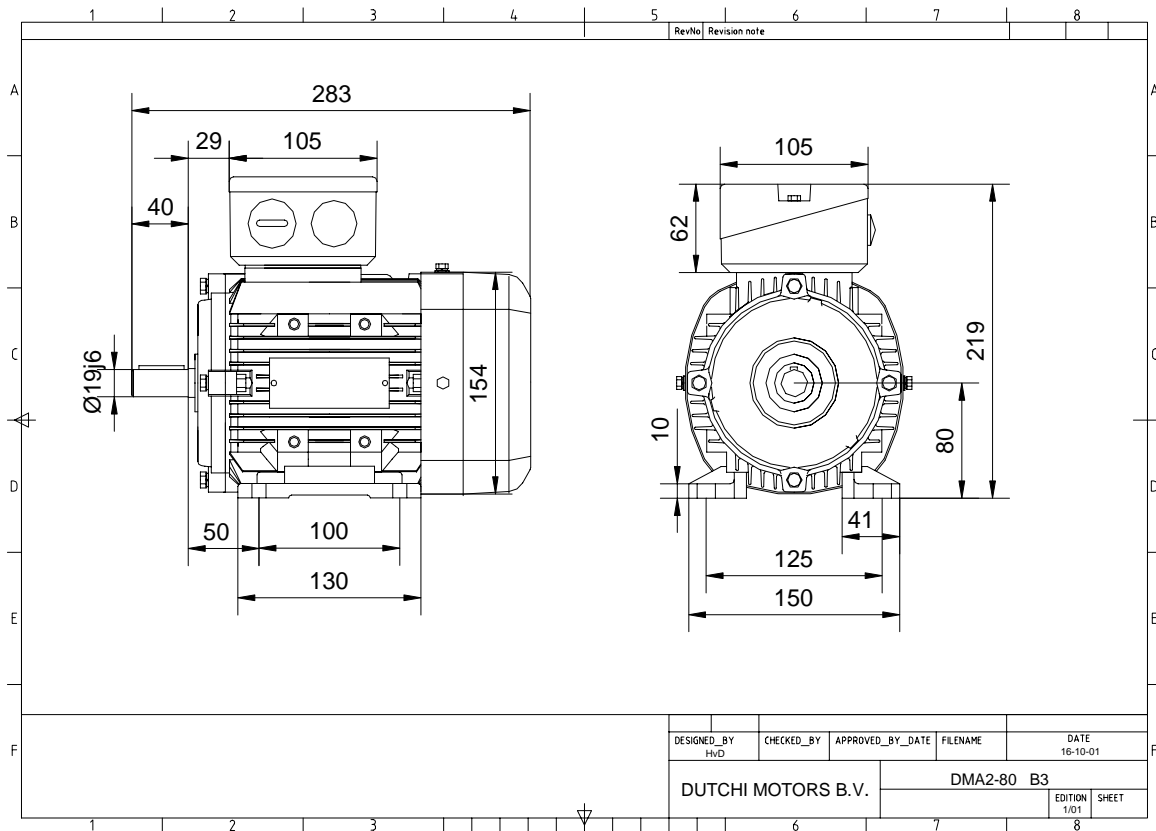


Power is our commodity, the world is our market !



Specification **IEC 60034-1**
 Manufacturer **Dutchi Motors B.V.**
 Motor type **DMA2- 80 K4**
 Rated power **0,55** kW **S1** duty
 Speed **1400** r.p.m
 Voltage **230 / 400** V
 Frequency **50** Hz
 Connection **Δ / Y**
 Amps full load **2,53 / 1,46** A
 Amps no-load_(400V) **1,23** A
 Enclosure **IP 55**
 Insulation Class **F (temp. rise B (80 K))**

Max. coolant temp. **40°C**
 Max. altitude **1.000** mtr, above sea level
 Comment
 Cable entries **2 x M25*1,5**

Feature **Alumimium motor**
 Weight **8,3** kg
 Catalog no. **18124055D**
 Warranty **12~18 months**

Efficiency class **N/A**
 Load data 100% 75% 50% 25%
 Efficiency **73,9 72,5 66,9 50,8** %
 Power factor **0,74 0,62 0,47 0,30**

Sound pressure level (1m) **55,4** dB(A)
 Resistance R₂₀ (open) **13,4** Ω
 Resistance R₂₀ **Y 26,9** Ω

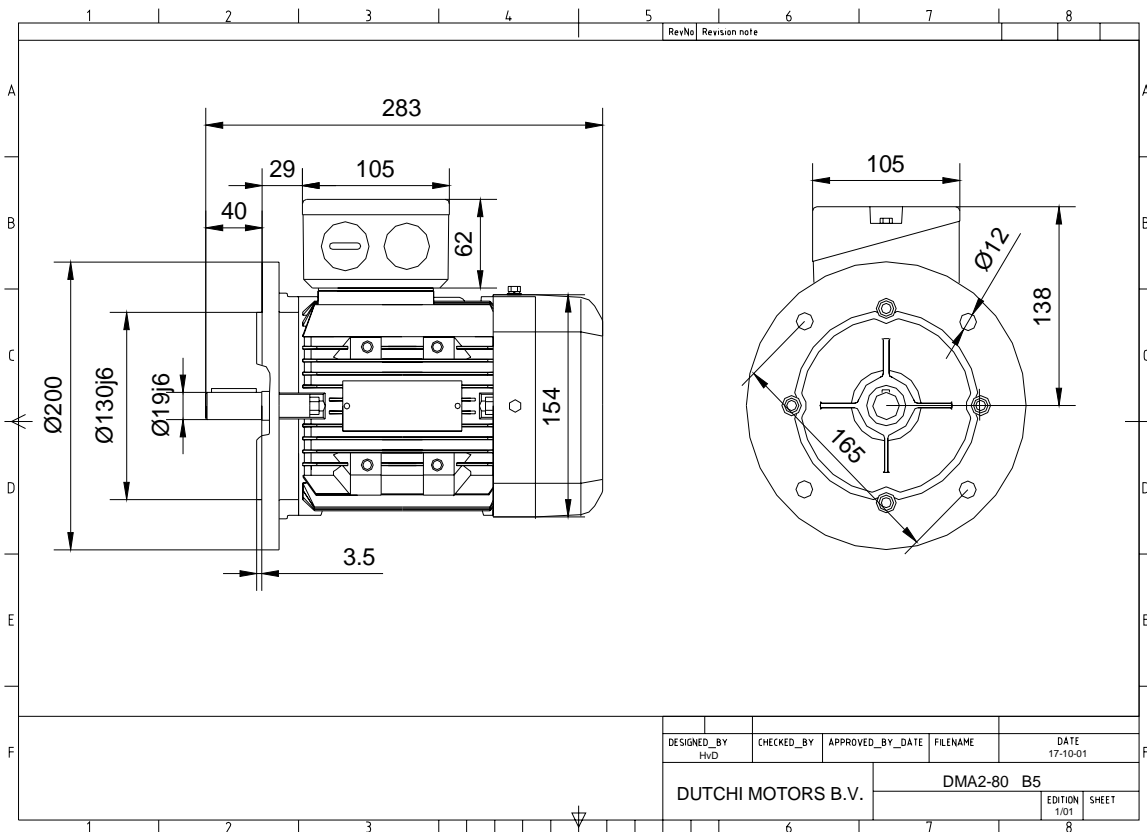
Full load torque **3,75** Nm
 DOL Starting torque vs FL torque **2,56**
 DOL Pull up torque vs FL torque **1,71**
 DOL Pull out torque vs FL torque **2,86**
 Star-Delta Starting torque vs FL torque **Y - motor**
 Star-Delta Pull up torque vs FL torque **Y - motor**
 Star-Delta Pull out torque vs FL torque **Y - motor**
 DOL Starting current vs FL current **4,85**
 Star Delta Starting current vs FL current **Y - motor**
 Rotor Inertia **0,001146** kgm²

Bearing DE **6204 - ZZ**
 Bearing NDE **6204 - ZZ**

Extras / Options :

WI	Change	date	sign.
Dutchi Motors B.V. P.O. Box 5390 NL-6802 EJ ARNHEM Tel : +31-(0)26 - 3541 600 Fax : +31-(0)26 - 3541 650		Discription Drawing made by : 19-04-04	date sign. HvD
dutchi.motors@dutchi.nl www.dutchi.com			

Power is our commodity, the world is our market !



Specification **IEC 60034-1**
 Manufacturer **Dutchi Motors B.V.**
 Motor type **DMA2- 80 K4**
 Rated power **0,55** kW **S1** duty
 Speed **1400** r.p.m
 Voltage **230** / **400 V**
 Frequency **50** Hz
 Connection **Δ / Y**
 Amps full load **2,53** / **1,46** A
 Amps no-load(400V) **1,23** A
 Enclosure **IP 55**
 Insulation Class **F (temp. rise B (80 K))**

Max. coolant temp. **40°C**
 Max. altitude **1.000** mtr, above sea level
 Comment
 Cable entries **2 x M25*1,5**

Feature **Alumimium motor**
 Weight **8,3** kg
 Catalog no. **18224055D**
 Warranty **12~18 months**

Efficiency class **N/A**
 Load data 100% 75% 50% 25%
 Efficiency **73,9 72,5 66,9 50,8** %
 Power factor **0,74 0,62 0,47 0,30**

Sound pressure level (1m) **55,4** dB(A)
 Resistance R20 (open) **13,4** Ω
 Resistance R20 **Y 26,9** Ω

Full load torque **3,75** Nm
 DOL Starting torque vs FL torque **2,56**
 DOL Pull up torque vs FL torque **1,71**
 DOL Pull out torque vs FL torque **2,86**
 Star-Delta Starting torque vs FL torque **Y - motor**
 Star-Delta Pull up torque vs FL torque **Y - motor**
 Star-Delta Pull out torque vs FL torque **Y - motor**
 DOL Starting current vs FL current **4,85**
 Star Delta Starting current vs FL current **Y - motor**
 Rotor Inertia **0,001146** kgm2

Bearing DE **6204 - ZZ**
 Bearing NDE **6204 - ZZ**

Extras / Options :

WI	Change	date	sign.
Dutchi Motors B.V.		Description	date
P.O. Box 5390		Drawing made by :	19-04-04
NL-6802 EJ ARNHEM			
Tel : +31-(0)26 - 3541 600		dutchi.motors@dutchi.nl	
Fax : +31-(0)26 - 3541 650		www.dutchi.com	