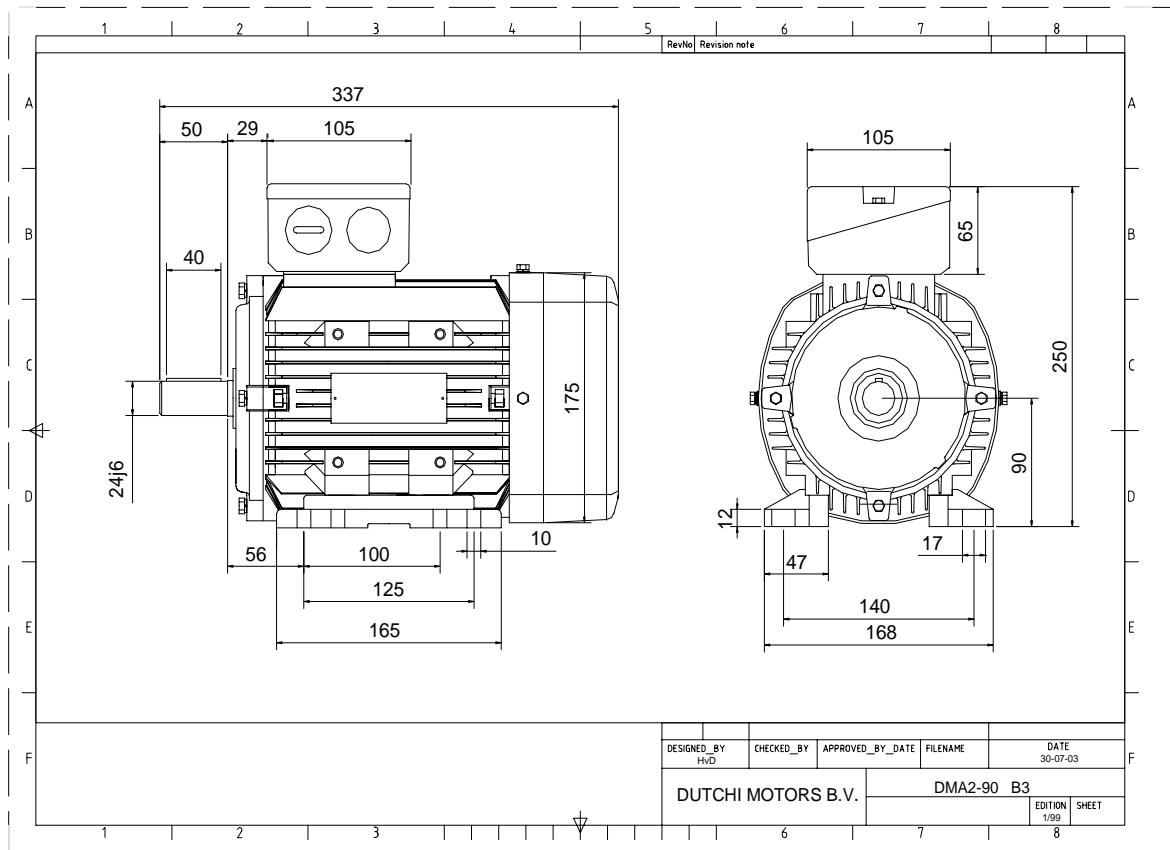




Power is our commodity, the world is our market !



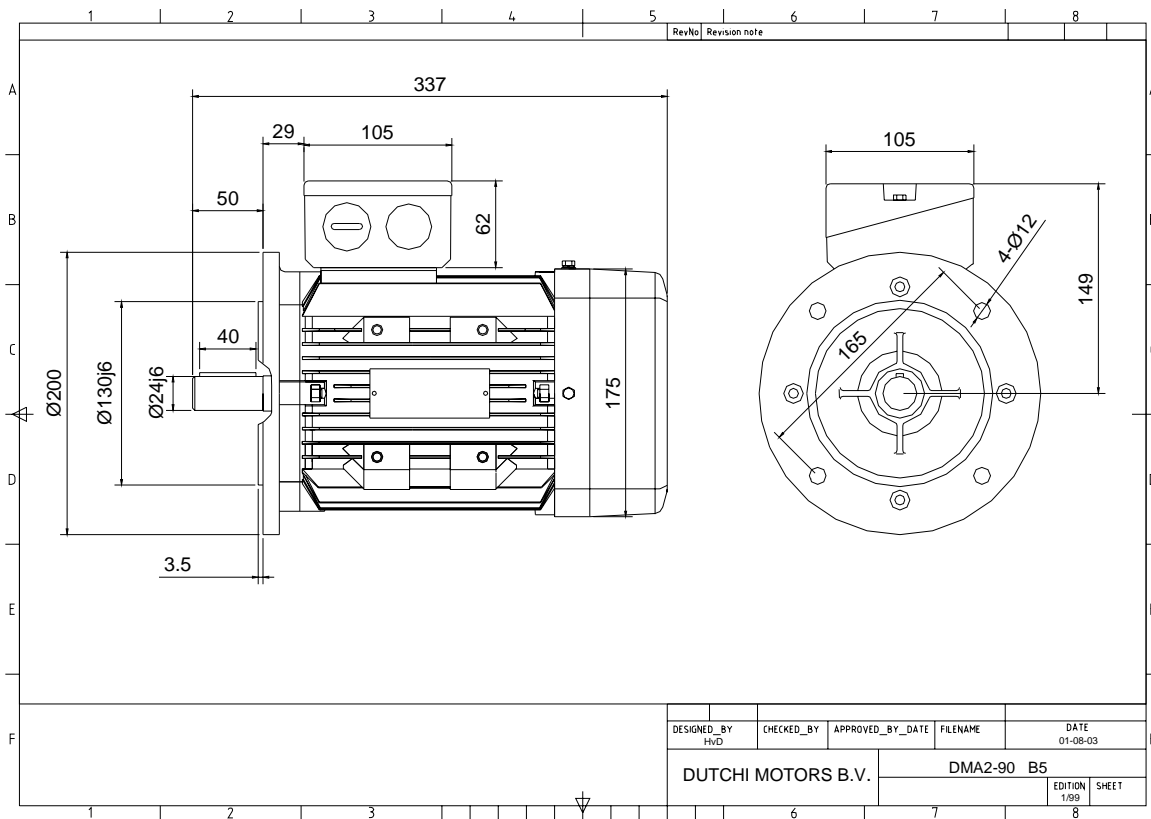
Specification	IEC 60034-1
Manufacturer	Dutchi Motors B.V.
Motor type	DMA2- 90 L8
Rated power	0,55 kW S1 duty
Speed	675 r.p.m
Voltage	230 / 400 V
Frequency	50 Hz
Connection	Δ / Y
Amps full load	3,71 / 2,14 A
Amps no-load(400V)	1,87 A
Enclosure	IP 55
Insulation Class	F (temp. rise B (80 K))
Max. coolant temp.	40°C
Max. altitude	1.000 mtr, above sea level
Comment	
Cable entries	2 x M25x1,5 + 1 x M20x1,5 (ptc)
Feature	Alumimium motor
Weight	15,0 kg
Catalog no.	18128055D
Warranty	12~18 months

Efficiency class	N/A			
Load data	100%	75%	50%	25%
Efficiency	62,3	59,7	52,2	36,4 %
Power factor	0,59	0,50	0,40	0,29
Sound pressure level (1m)				41,6 dB(A)
Resistance R20 (open)				11,77 Ω
Resistance R20	Y		23,54 Ω	
Full load torque				7,78 Nm
DOL Starting torque vs FL torque				2,33
DOL Pull up torque vs FL torque				1,67
DOL Pull out torque vs FL torque				3,08
Star-Delta Starting torque vs FL torque				Y - motor
Star-Delta Pull up torque vs FL torque				Y - motor
Star-Delta Pull out torque vs FL torque				Y - motor
DOL Starting current vs FL current				3,36
Star Delta Starting current vs FL current				Y - motor
Rotor Inertia				0,0038 kgm2
Bearing DE				6205 - ZZ
Bearing NDE				6205 - ZZ

Extras / Options :

WI	Change	date	sign.
Dutchi Motors B.V. P.O. Box 5390 NL-6802 EJ ARNHEM Tel : +31-(0)26 - 3541 600 Fax : +31-(0)26 - 3541 650		Description	date
		Drawing made by :	19-04-04
		dutchi.motors@dutchi.nl www.dutchi.com	

Power is our commodity, the world is our market !



Specification **IEC 60034-1**
 Manufacturer **Dutchi Motors B.V.**
 Motor type **DMA2- 90 L8**
 Rated power **0,55** kW **S1** duty
 Speed **675** r.p.m
 Voltage **230 / 400** V
 Frequency **50** Hz
 Connection **Δ / Y**
 Amps full load **3,71 / 2,14** A
 Amps no-load(400V) **1,87** A
 Enclosure **IP 55**
 Insulation Class **F (temp. rise B (80 K))**

Max. coolant temp. **40°C**
 Max. altitude **1.000** mtr, above sea level
 Comment
 Cable entries **2 x M25x1,5 + 1 x M20x1,5 (ptc)**

Feature **Alumimium motor**
 Weight **15,0** kg
 Catalog no. **18228055D**
 Warranty **12~18 months**

Efficiency class **N/A**
 Load data 100% 75% 50% 25%
 Efficiency **62,3 59,7 52,2 36,4** %
 Power factor **0,59 0,50 0,40 0,29**

Sound pressure level (1m) **41,6** dB(A)
 Resistance R20 (open) **11,77** Ω
 Resistance R20 **Y 23,54** Ω

Full load torque **7,78** Nm
 DOL Starting torque vs FL torque **2,33**
 DOL Pull up torque vs FL torque **1,67**
 DOL Pull out torque vs FL torque **3,08**
 Star-Delta Starting torque vs FL torque **Y - motor**
 Star-Delta Pull up torque vs FL torque **Y - motor**
 Star-Delta Pull out torque vs FL torque **Y - motor**
 DOL Starting current vs FL current **3,36**
 Star Delta Starting current vs FL current **Y - motor**
 Rotor Inertia **0,0038** kgm²

Bearing DE **6205 - ZZ**
 Bearing NDE **6205 - ZZ**

Extras / Options :

WI	Change	date	sign.
Dutchi Motors B.V. P.O. Box 5390 NL-6802 EJ ARNHEM Tel : +31-(0)26 - 3541 600 Fax : +31-(0)26 - 3541 650		Description	date
		Drawing made by :	19-04-04
		dutchi.motors@dutchi.nl www.dutchi.com	