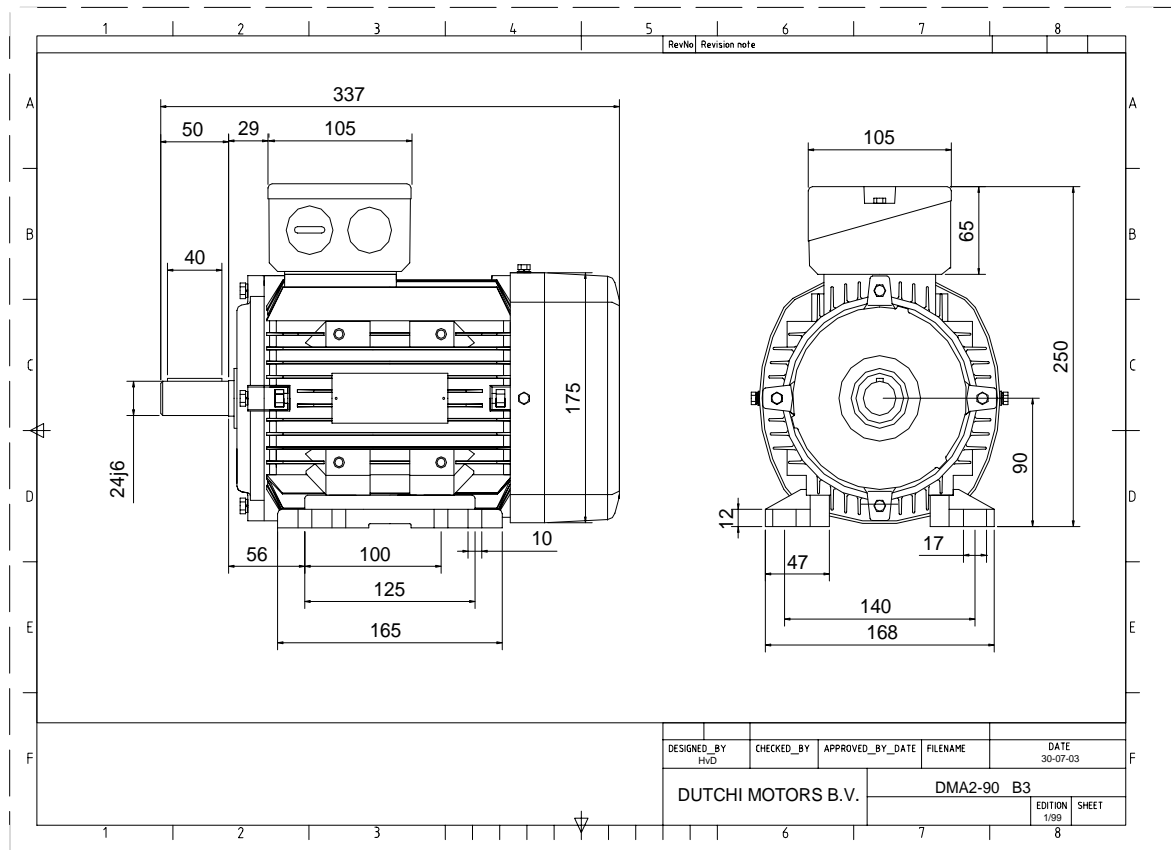




Power is our commodity, the world is our market !



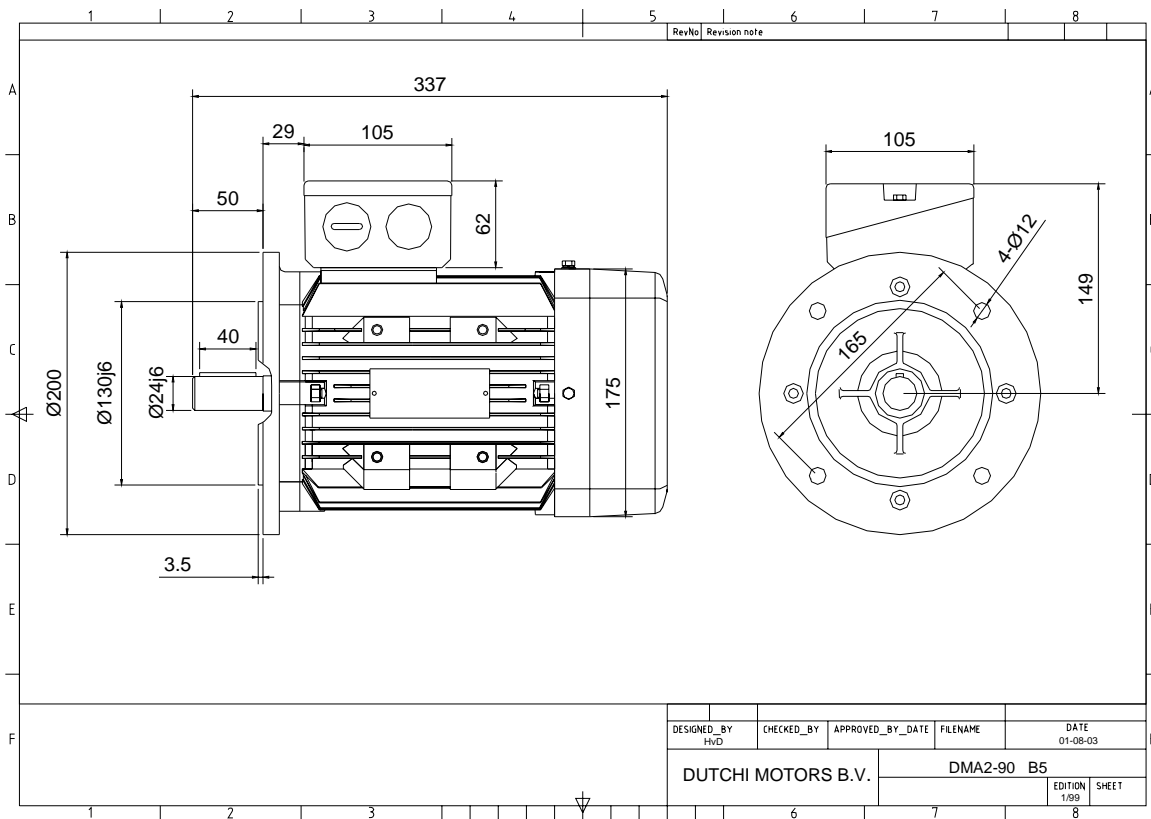
Specification	IEC 60034-1
Manufacturer	Dutchi Motors B.V.
Motor type	DMA2- 90 S6
Rated power	0,75 kW S1 duty
Speed	910 r.p.m
Voltage	230 / 400 V
Frequency	50 Hz
Connection	Δ / Y
Amps full load	4,05 / 2,34 A
Amps no-load(400V)	1,83 A
Enclosure	IP 55
Insulation Class	F (temp. rise B (80 K))
Max. coolant temp.	40°C
Max. altitude	1.000 mtr, above sea level
Comment	
Cable entries	2 x M25x1,5 + 1 x M20x1,5 (ptc)
Feature	Alumimium motor
Weight	12,0 kg
Catalog no.	18126075D
Warranty	12~18 months

Efficiency class	N/A			
Load data	100%	75%	50%	25%
Efficiency	66,7	65,4	59,5	43,7 %
Power factor	0,69	0,60	0,48	0,33
Sound pressure level (1m)				52,0 dB(A)
Resistance R20 (open)				9,67 Ω
Resistance R20	Y		19,34 Ω	
Full load torque				7,87 Nm
DOL Starting torque vs FL torque				2,27
DOL Pull up torque vs FL torque				1,48
DOL Pull out torque vs FL torque				2,67
Star-Delta Starting torque vs FL torque				Y - motor
Star-Delta Pull up torque vs FL torque				Y - motor
Star-Delta Pull out torque vs FL torque				Y - motor
DOL Starting current vs FL current				3,89
Star Delta Starting current vs FL current				Y - motor
Rotor Inertia				0,0032 kgm2
Bearing DE				6205 - ZZ
Bearing NDE				6205 - ZZ

Extras / Options :

WI	Change	date	sign.
Dutchi Motors B.V. P.O. Box 5390 NL-6802 EJ ARNHEM Tel : +31-(0)26 - 3541 600 Fax : +31-(0)26 - 3541 650		Description	date
		Drawing made by :	19-04-04
		dutchi.motors@dutchi.nl www.dutchi.com	

Power is our commodity, the world is our market !



DESIGNED_BY HVD	CHECKED_BY	APPROVED_BY_DATE	FILENAME	DATE 01-08-03
DUTCHI MOTORS B.V.		DMA2-90 B5		EDITION 1/99
				SHEET

Specification	IEC 60034-1
Manufacturer	Dutchi Motors B.V.
Motor type	DMA2- 90 S6
Rated power	0,75 kW S1 duty
Speed	910 r.p.m
Voltage	230 / 400 V
Frequency	50 Hz
Connection	Δ / Y
Amps full load	4,05 / 2,34 A
Amps no-load(400V)	1,83 A
Enclosure	IP 55
Insulation Class	F (temp. rise B (80 K))
Max. coolant temp.	40°C
Max. altitude	1.000 mtr, above sea level
Comment	
Cable entries	2 x M25x1,5 + 1 x M20x1,5 (ptc)
Feature	Alumimium motor
Weight	12,0 kg
Catalog no.	18226075D
Warranty	12~18 months

Efficiency class	N/A				
Load data	100%	75%	50%	25%	
Efficiency	66,7	65,4	59,5	43,7	%
Power factor	0,69	0,60	0,48	0,33	
Sound pressure level (1m)	52,0				dB(A)
Resistance R20 (open)	9,67				Ω
Resistance R20	Y		19,34		Ω
Full load torque	7,87				Nm
DOL Starting torque vs FL torque	2,27				
DOL Pull up torque vs FL torque	1,48				
DOL Pull out torque vs FL torque	2,67				
Star-Delta Starting torque vs FL torque	Y - motor				
Star-Delta Pull up torque vs FL torque	Y - motor				
Star-Delta Pull out torque vs FL torque	Y - motor				
DOL Starting current vs FL current	3,89				
Star Delta Starting current vs FL current	Y - motor				
Rotor Inertia	0,0032				kgm ²
Bearing DE	6205 - ZZ				
Bearing NDE	6205 - ZZ				

Extras / Options :

WI	Change	date	sign.
Dutchi Motors B.V. P.O. Box 5390 NL-6802 EJ ARNHEM Tel : +31-(0)26 - 3541 600 Fax : +31-(0)26 - 3541 650		Description	date
		Drawing made by :	19-04-04
dutchi.motors@dutchi.nl www.dutchi.com		sign.	HvD