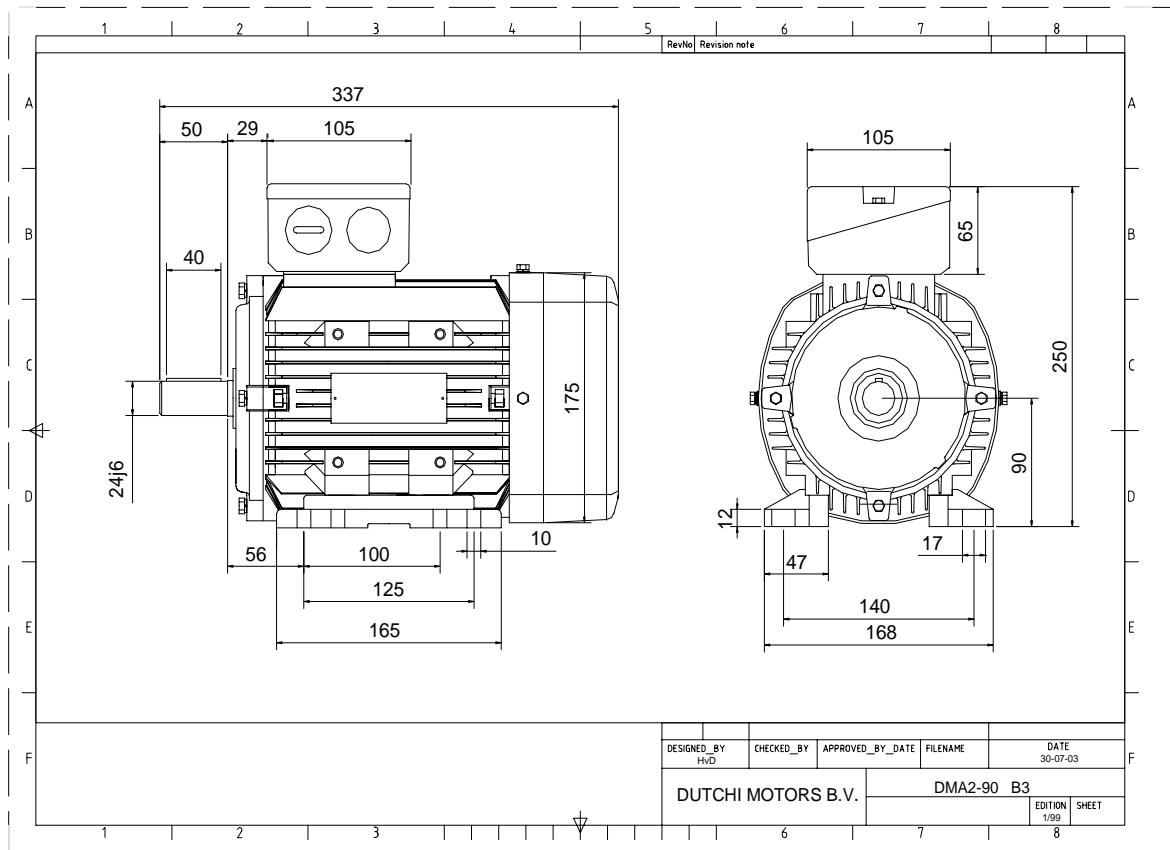




Power is our commodity, the world is our market !



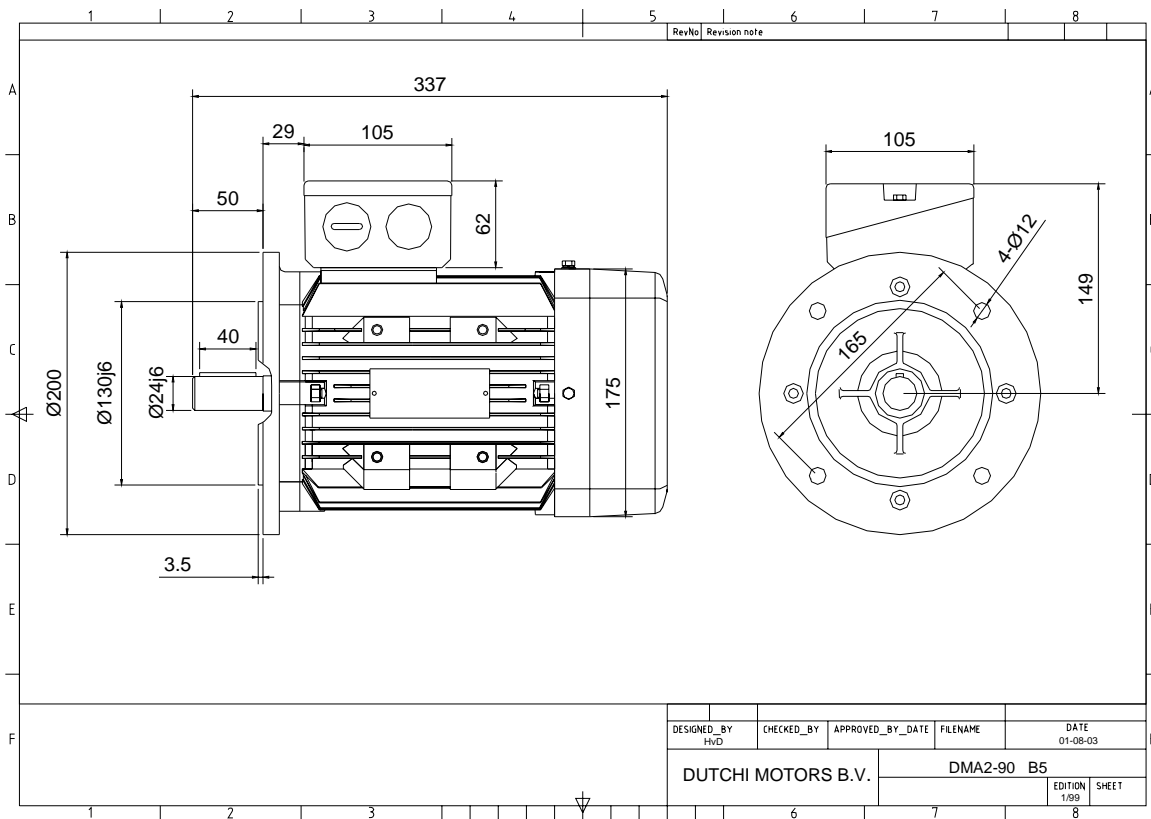
Specification	<b>IEC 60034-1</b>
Manufacturer	<b>Dutchi Motors B.V.</b>
Motor type	<b>DMA2- 90 S4</b>
Rated power	<b>1,10</b> kW <b>S1</b> duty
Speed	<b>1400</b> r.p.m
Voltage	<b>230 / 400</b> V
Frequency	<b>50</b> Hz
Connection	<b>Δ / Y</b>
Amps full load	<b>4,60 / 2,66</b> A
Amps no-load(400V)	<b>1,92</b> A
Enclosure	<b>IP 55</b>
Insulation Class	<b>F (temp. rise B (80 K))</b>
Max. coolant temp.	<b>40°C</b>
Max. altitude	<b>1.000</b> mtr, above sea level
Comment	
Cable entries	<b>2 x M25x1,5 + 1 x M20x1,5 (ptc)</b>
Feature	<b>Alumimium motor</b>
Weight	<b>12,5</b> kg
Catalog no.	<b>18124110D</b>
Warranty	<b>12~18 months</b>

Efficiency class	<b>EFF 2</b>			
Load data	100%	75%	50%	25%
Efficiency	<b>77,5</b>	<b>77,7</b>	<b>74,4</b>	<b>62,7</b> %
Power factor	<b>0,77</b>	<b>0,67</b>	<b>0,52</b>	<b>0,33</b>
Sound pressure level (1m)				<b>56,1</b> dB(A)
Resistance R20 (open)				<b>6,03</b> Ω
Resistance R20	<b>Y</b>		<b>12,07</b>	Ω
Full load torque				<b>7,50</b> Nm
DOL Starting torque vs FL torque				<b>2,75</b>
DOL Pull up torque vs FL torque				<b>1,61</b>
DOL Pull out torque vs FL torque				<b>2,75</b>
Star-Delta Starting torque vs FL torque				<b>Y - motor</b>
Star-Delta Pull up torque vs FL torque				<b>Y - motor</b>
Star-Delta Pull out torque vs FL torque				<b>Y - motor</b>
DOL Starting current vs FL current				<b>5,49</b>
Star Delta Starting current vs FL current				<b>Y - motor</b>
Rotor Inertia				<b>0,0028</b> kgm2
Bearing DE				<b>6205 - ZZ C3</b>
Bearing NDE				<b>6205 - ZZ C3</b>

Extras / Options :

WI	Change	date	sign.
<b>Dutchi Motors B.V.</b> P.O. Box 5390 NL-6802 EJ ARNHEM Tel : +31-(0)26 - 3541 600 Fax : +31-(0)26 - 3541 650		Description	date
		Drawing made by :	19-04-04
		dutchi.motors@dutchi.nl www.dutchi.com	

Power is our commodity, the world is our market !



Specification **IEC 60034-1**  
 Manufacturer **Dutchi Motors B.V.**  
 Motor type **DMA2- 90 S4**  
 Rated power **1,10** kW **S1** duty  
 Speed **1400** r.p.m  
 Voltage **230 / 400** V  
 Frequency **50** Hz  
 Connection **Δ / Y**  
 Amps full load **4,60 / 2,66** A  
 Amps no-load(400V) **1,92** A  
 Enclosure **IP 55**  
 Insulation Class **F (temp. rise B (80 K))**

Max. coolant temp. **40°C**  
 Max. altitude **1.000** mtr, above sea level  
 Comment  
 Cable entries **2 x M25x1,5 + 1 x M20x1,5 (ptc)**

Feature **Alumimium motor**  
 Weight **12,5** kg  
 Catalog no. **18224110D**  
 Warranty **12~18 months**

Efficiency class **EFF 2**  
 Load data 100% 75% 50% 25%  
 Efficiency **77,5 77,7 74,4 62,7** %  
 Power factor **0,77 0,67 0,52 0,33**

Sound pressure level (1m) **56,1** dB(A)  
 Resistance R20 (open) **6,03** Ω  
 Resistance R20 **Y 12,07** Ω

Full load torque **7,50** Nm  
 DOL Starting torque vs FL torque **2,75**  
 DOL Pull up torque vs FL torque **1,61**  
 DOL Pull out torque vs FL torque **2,75**  
 Star-Delta Starting torque vs FL torque **Y - motor**  
 Star-Delta Pull up torque vs FL torque **Y - motor**  
 Star-Delta Pull out torque vs FL torque **Y - motor**  
 DOL Starting current vs FL current **5,49**  
 Star Delta Starting current vs FL current **Y - motor**  
 Rotor Inertia **0,0028** kgm<sup>2</sup>

Bearing DE **6205 - ZZ C3**  
 Bearing NDE **6205 - ZZ C3**

Extras / Options :

WI	Change	date	sign.
<b>Dutchi Motors B.V.</b> P.O. Box 5390 NL-6802 EJ ARNHEM Tel : +31-(0)26 - 3541 600 Fax : +31-(0)26 - 3541 650		Description	date
		Drawing made by :	19-04-04
		dutchi.motors@dutchi.nl www.dutchi.com	