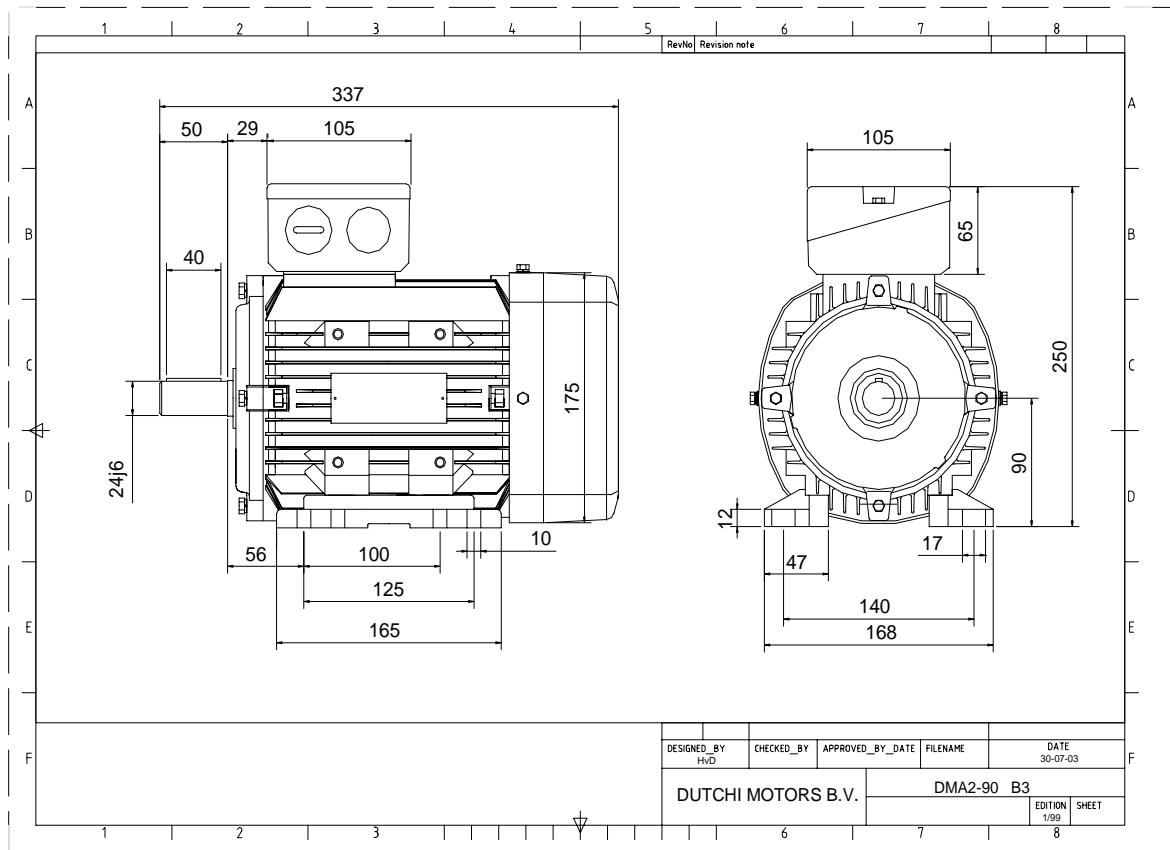




Power is our commodity, the world is our market !



Specification **IEC 60034-1**
 Manufacturer **Dutchi Motors B.V.**
 Motor type **DMA2- 90 S2**
 Rated power **1,50** kW **S1** duty
 Speed **2845** r.p.m
 Voltage **230** / **400** V
 Frequency **50** Hz
 Connection **Δ** / **Y**
 Amps full load **5,88** / **3,39** A
 Amps no-load(400V) **1,87** A
 Enclosure **IP 55**
 Insulation Class **F (temp. rise B (80 K))**

Max. coolant temp. **40°C**
 Max. altitude **1.000** mtr, above sea level
 Comment
 Cable entries **2 x M25x1,5 + 1 x M20x1,5 (ptc)**

Feature **Alumimium motor**
 Weight **12,5** kg
 Catalog no. **18122150D**
 Warranty **12~18 months**

Efficiency class **EFF 2**

Load data	100%	75%	50%	25%	
Efficiency	78,6	79,9	78,2	68,6	%
Power factor	0,81	0,75	0,62	0,41	

Sound pressure level (1m) **59,5** dB(A)
 Resistance R20 (open) **4,00** Ω
 Resistance R20 **Y** **7,99** Ω

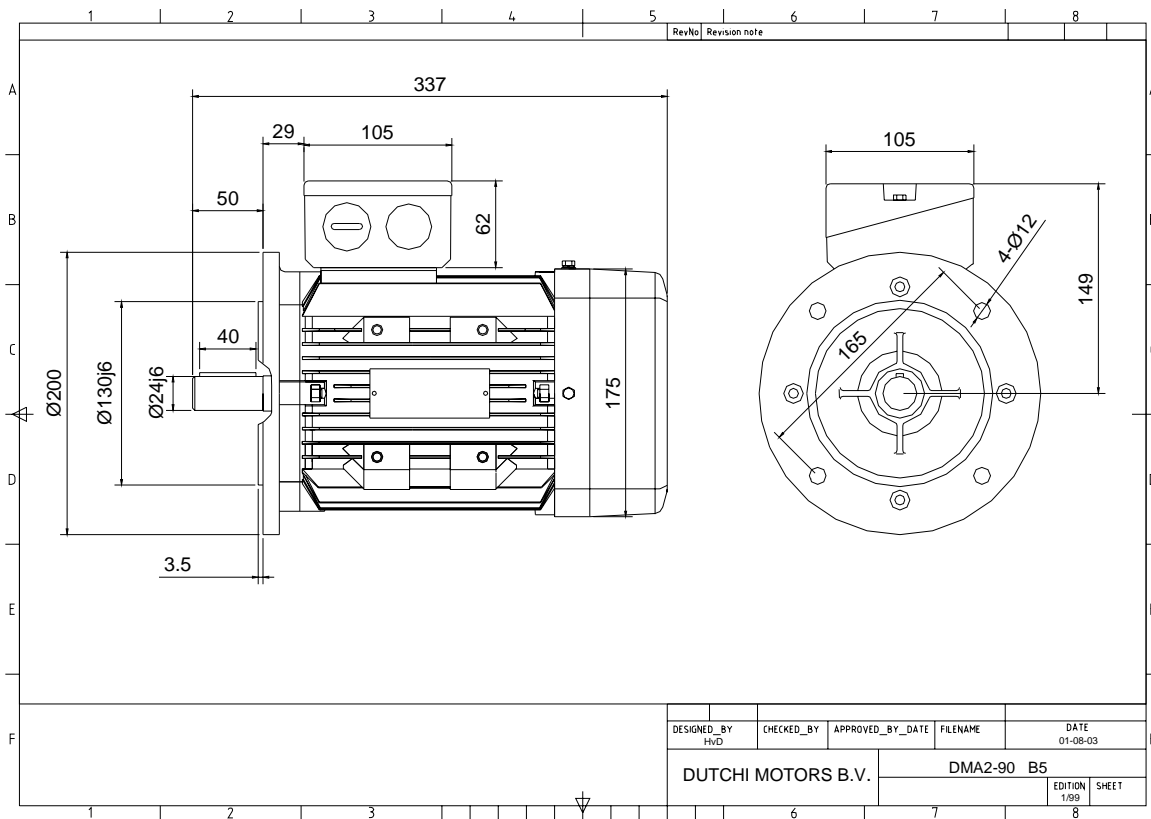
Full load torque **5,04** Nm
 DOL Starting torque vs FL torque **2,70**
 DOL Pull up torque vs FL torque **1,75**
 DOL Pull out torque vs FL torque **3,14**
 Star-Delta Starting torque vs FL torque **Y - motor**
 Star-Delta Pull up torque vs FL torque **Y - motor**
 Star-Delta Pull out torque vs FL torque **Y - motor**
 DOL Starting current vs FL current **5,88**
 Star Delta Starting current vs FL current **Y - motor**
 Rotor Inertia **0,0025** kgm2

Bearing DE **6205 - ZZ C3**
 Bearing NDE **6205 - ZZ C3**

Extras / Options :

WI	Change	date	sign.
Dutchi Motors B.V.		Description	date
P.O. Box 5390		Drawing made by :	19-04-04
NL-6802 EJ ARNHEM			HvD
Tel : +31-(0)26 - 3541 600		dutchi.motors@dutchi.nl	
Fax : +31-(0)26 - 3541 650		www.dutchi.com	

Power is our commodity, the world is our market !



Specification **IEC 60034-1**
 Manufacturer **Dutchi Motors B.V.**
 Motor type **DMA2- 90 S2**
 Rated power **1,50** kW **S1** duty
 Speed **2845** r.p.m
 Voltage **230 / 400** V
 Frequency **50** Hz
 Connection **Δ / Y**
 Amps full load **5,88 / 3,39** A
 Amps no-load(400V) **1,87** A
 Enclosure **IP 55**
 Insulation Class **F (temp. rise B (80 K))**

Max. coolant temp. **40°C**
 Max. altitude **1.000** mtr, above sea level
 Comment
 Cable entries **2 x M25x1,5 + 1 x M20x1,5 (ptc)**

Feature **Alumimium motor**
 Weight **12,5** kg
 Catalog no. **18222150D**
 Warranty **12~18 months**

Efficiency class **EFF 2**
 Load data 100% 75% 50% 25%
 Efficiency **78,6 79,9 78,2 68,6** %
 Power factor **0,81 0,75 0,62 0,41**

Sound pressure level (1m) **59,5** dB(A)
 Resistance R20 (open) **4,00** Ω
 Resistance R20 **Y 7,99** Ω

Full load torque **5,04** Nm
 DOL Starting torque vs FL torque **2,70**
 DOL Pull up torque vs FL torque **1,75**
 DOL Pull out torque vs FL torque **3,14**
 Star-Delta Starting torque vs FL torque **Y - motor**
 Star-Delta Pull up torque vs FL torque **Y - motor**
 Star-Delta Pull out torque vs FL torque **Y - motor**
 DOL Starting current vs FL current **5,88**
 Star Delta Starting current vs FL current **Y - motor**
 Rotor Inertia **0,0025** kgm2

Bearing DE **6205 - ZZ C3**
 Bearing NDE **6205 - ZZ C3**

Extras / Options :

WI	Change	date	sign.
Dutchi Motors B.V. P.O. Box 5390 NL-6802 EJ ARNHEM Tel : +31-(0)26 - 3541 600 Fax : +31-(0)26 - 3541 650		Description	date
		Drawing made by :	19-04-04
		dutchi.motors@dutchi.nl www.dutchi.com	