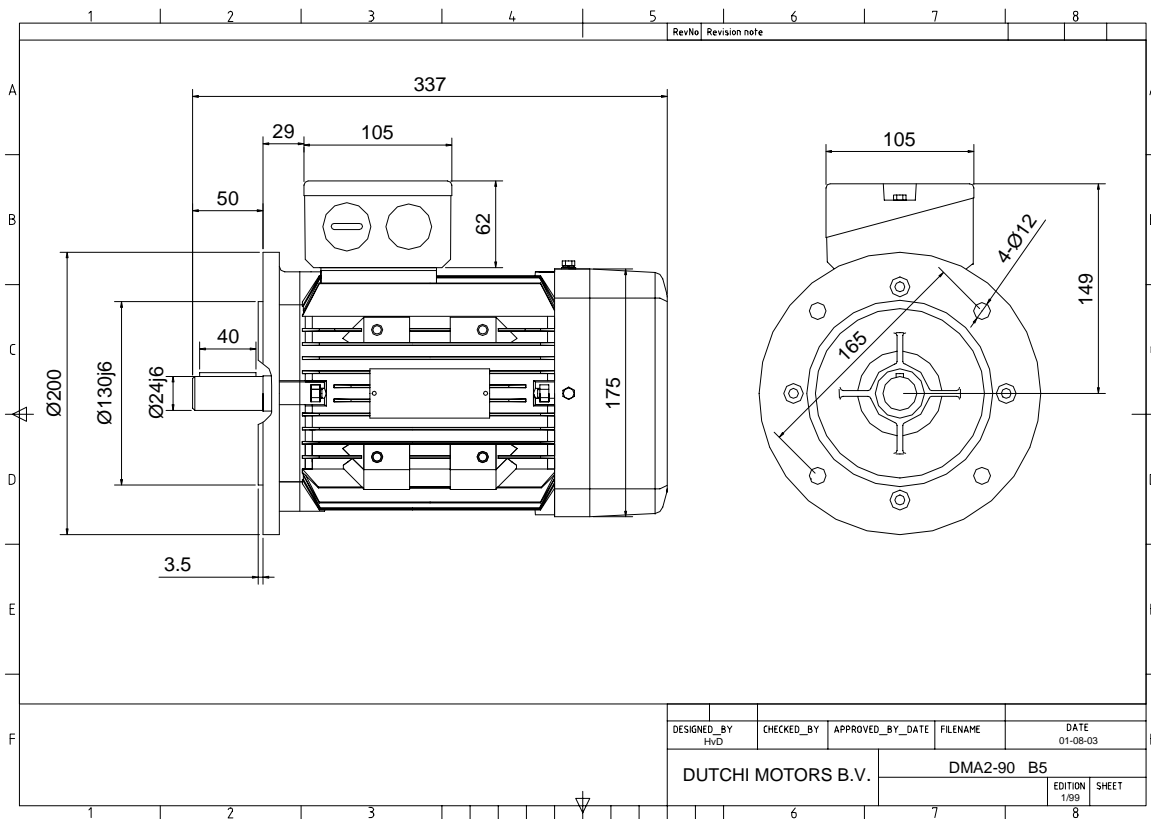


Power is our commodity, the world is our market !



DESIGNED_BY HvD	CHECKED_BY	APPROVED_BY_DATE	FILENAME	DATE 01-08-03
DUTCHI MOTORS B.V.		DMA2-90 B5		EDITION 1/99
				SHEET 8

Specification	<b>IEC 60034-1</b>
Manufacturer	<b>Dutchi Motors B.V.</b>
Motor type	<b>DMA2- 90 L4</b>
Rated power	<b>1,50</b> kW <b>S1</b> duty
Speed	<b>1390</b> r.p.m
Voltage	<b>230 / 400</b> V
Frequency	<b>50</b> Hz
Connection	<b>Δ / Y</b>
Amps full load	<b>6,19 / 3,57</b> A
Amps no-load(400V)	<b>2,35</b> A
Enclosure	<b>IP 55</b>
Insulation Class	<b>F (temp. rise B (80 K))</b>
Max. coolant temp.	<b>40°C</b>
Max. altitude	<b>1.000</b> mtr, above sea level
Comment	
Cable entries	<b>2 x M25x1,5 + 1 x M20x1,5 (ptc)</b>
Feature	<b>Alumimium motor</b>
Weight	<b>15,0</b> kg
Catalog no.	<b>18226110D</b>
Warranty	<b>12~18 months</b>

Efficiency class	<b>EFF 2</b>			
Load data	100%	75%	50%	25%
Efficiency	<b>78,8</b>	<b>79,1</b>	<b>76,4</b>	<b>65,3</b> %
Power factor	<b>0,77</b>	<b>0,68</b>	<b>0,53</b>	<b>0,33</b>
Sound pressure level (1m)				<b>58,8</b> dB(A)
Resistance R20 (open)				<b>3,78</b> Ω
Resistance R20	<b>Y</b>		<b>7,55</b>	Ω
Full load torque				<b>10,31</b> Nm
DOL Starting torque vs FL torque				<b>2,88</b>
DOL Pull up torque vs FL torque				<b>1,92</b>
DOL Pull out torque vs FL torque				<b>3,12</b>
Star-Delta Starting torque vs FL torque				<b>Y - motor</b>
Star-Delta Pull up torque vs FL torque				<b>Y - motor</b>
Star-Delta Pull out torque vs FL torque				<b>Y - motor</b>
DOL Starting current vs FL current				<b>5,83</b>
Star Delta Starting current vs FL current				<b>Y - motor</b>
Rotor Inertia				<b>0,0033</b> kgm <sup>2</sup>
Bearing DE				<b>6205 - ZZ C3</b>
Bearing NDE				<b>6205 - ZZ C3</b>

Extras / Options :

WI	Change	date	sign.
<b>Dutchi Motors B.V.</b> P.O. Box 5390 NL-6802 EJ ARNHEM Tel : +31-(0)26 - 3541 600 Fax : +31-(0)26 - 3541 650		Discription Drawing made by :	date 19-04-04
dutchi.motors@dutchi.nl www.dutchi.com		sign. HvD	