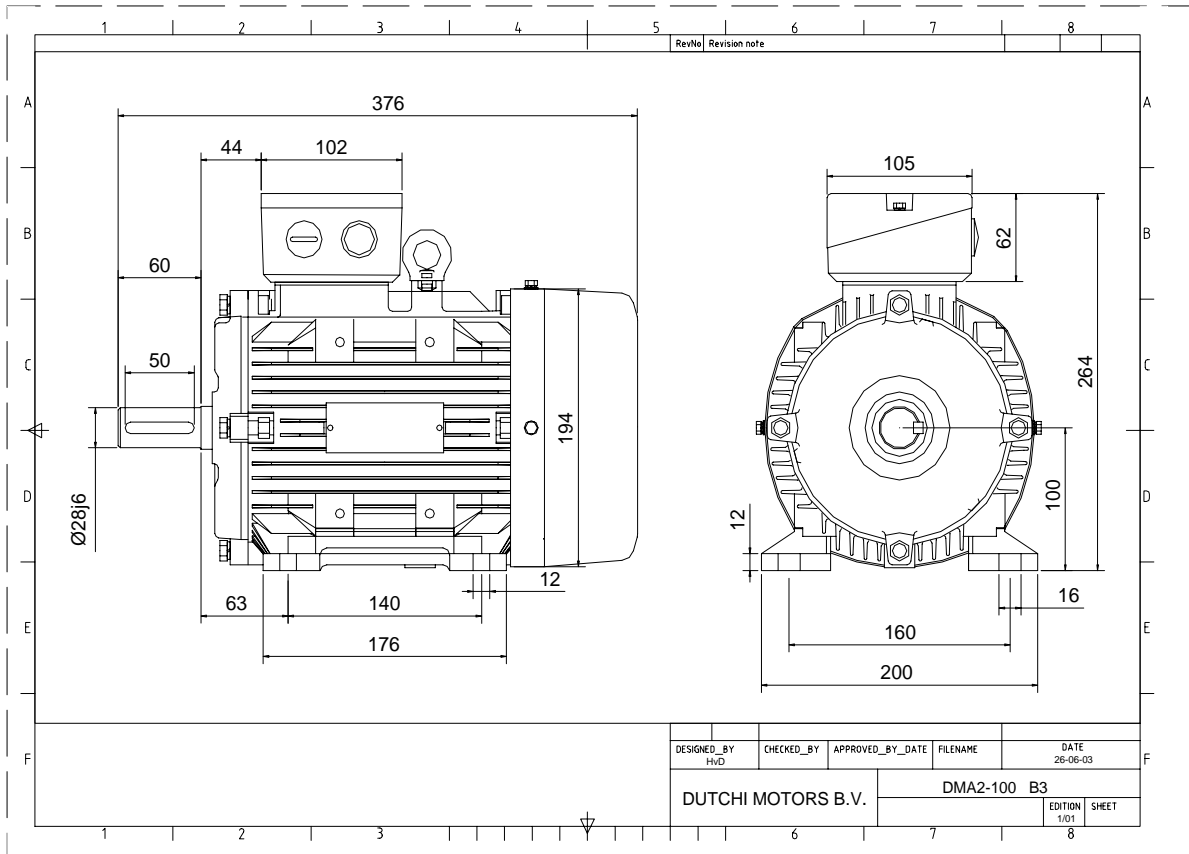


Power is our commodity, the world is our market !



Specification **IEC 60034-1**  
 Manufacturer **Dutchi Motors B.V.**  
 Motor type **DMA2- 100 L6**  
 Rated power **1,50** kW **S1** duty  
 Speed **920** r.p.m  
 Voltage **230** / **400** V  
 Frequency **50** Hz  
 Connection **Δ** / **Y**  
 Amps full load **6,88** / **3,97** A  
 Amps no-load(400V) **2,91** A  
 Enclosure **IP 55**  
 Insulation Class **F (temp. rise B (80 K))**

Max. coolant temp. **40°C**  
 Max. altitude **1.000** mtr, above sea level  
 Comment  
 Cable entries **2 x M25\*1,5**

Feature **Alumimium motor**  
 Weight **19,5** kg  
 Catalog no. **18126150D**  
 Warranty **12~18 months**

Efficiency class **N/A**  
 Load data 100% 75% 50% 25%  
 Efficiency **76,0 76,6 73,4 61,1** %  
 Power factor **0,72 0,62 0,47 0,30**

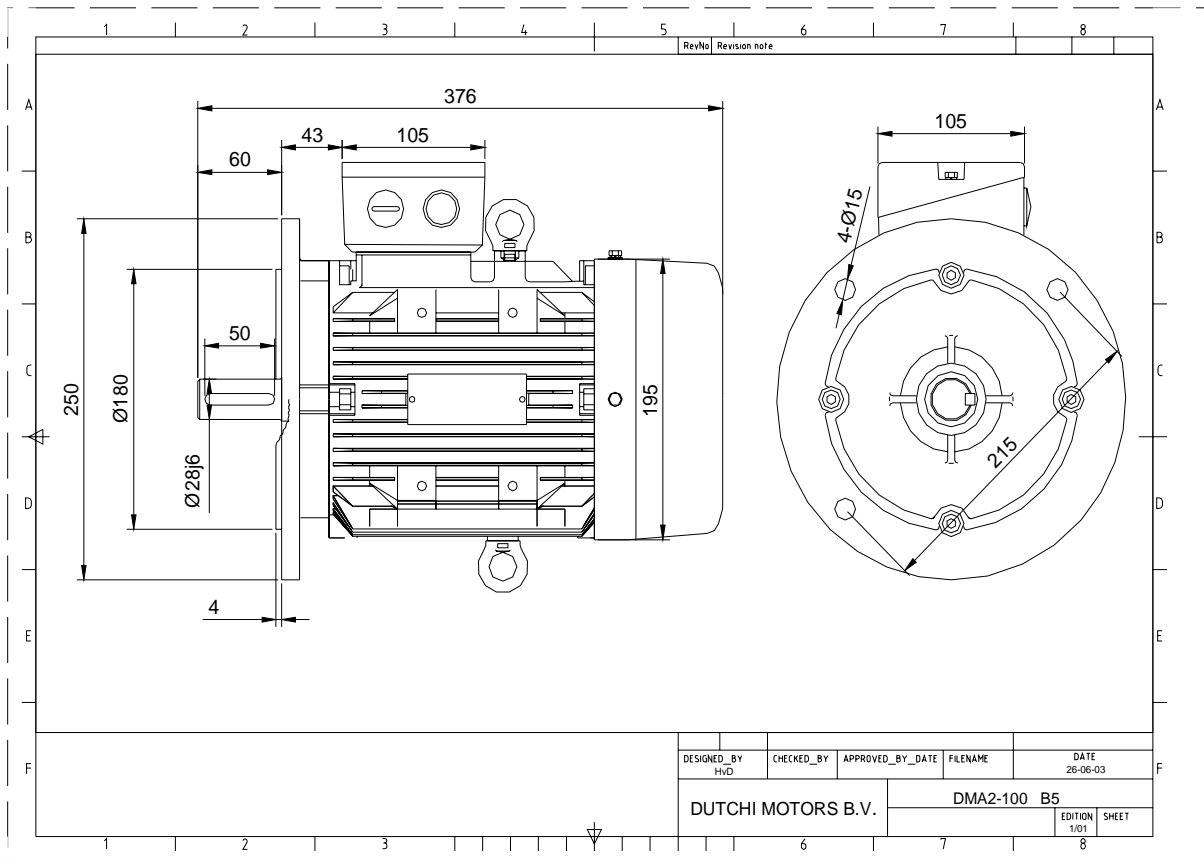
Sound pressure level (1m) **51,8** dB(A)  
 Resistance R20 (open) **4,57** Ω  
 Resistance R20 **Y 9,15** Ω

Full load torque **15,57** Nm  
 DOL Starting torque vs FL torque **2,27**  
 DOL Pull up torque vs FL torque **1,56**  
 DOL Pull out torque vs FL torque **2,70**  
 Star-Delta Starting torque vs FL torque **Y - motor**  
 Star-Delta Pull up torque vs FL torque **Y - motor**  
 Star-Delta Pull out torque vs FL torque **Y - motor**  
 DOL Starting current vs FL current **4,59**  
 Star Delta Starting current vs FL current **Y - motor**  
 Rotor Inertia **0,0046** kgm2

Bearing DE **6206 - ZZ C3**  
 Bearing NDE **6206 - ZZ C3**


WI	Change	date	sign.
<b>Dutchi Motors B.V.</b> P.O. Box 5390 NL-6802 EJ ARNHEM Tel : +31-(0)26 - 3541 600 Fax : +31-(0)26 - 3541 650		Discription	date
		Drawing made by :	19-04-04
		<b>dutchi.motors@dutchi.nl</b> <b>www.dutchi.com</b>	

Power is our commodity, the world is our market !



Specification	<b>IEC 60034-1</b>
Manufacturer	<b>Dutchi Motors B.V.</b>
Motor type	<b>DMA2- 100 L6</b>
Rated power	<b>1,50</b> kW <b>S1</b> duty
Speed	<b>920</b> r.p.m
Voltage	<b>230</b> / <b>400</b> V
Frequency	<b>50</b> Hz
Connection	<b>Δ</b> / <b>Y</b>
Amps full load	<b>6,88</b> / <b>3,97</b> A
Amps no-load(400V)	<b>2,91</b> A
Enclosure	<b>IP 55</b>
Insulation Class	<b>F (temp. rise B (80 K))</b>
Max. coolant temp.	<b>40°C</b>
Max. altitude	<b>1.000</b> mtr, above sea level
Comment	
Cable entries	<b>2 x M25*1,5</b>
Feature	<b>Alumimium motor</b>
Weight	<b>19,5</b> kg
Catalog no.	<b>18226150D</b>
Warranty	<b>12-18 months</b>

Efficiency class	<b>N/A</b>			
Load data	100%	75%	50%	25%
Efficiency	<b>76,0</b>	<b>76,6</b>	<b>73,4</b>	<b>61,1</b> %
Power factor	<b>0,72</b>	<b>0,62</b>	<b>0,47</b>	<b>0,30</b>
Sound pressure level (1m)				<b>51,8</b> dB(A)
Resistance R20 (open)				<b>4,57</b> Ω
Resistance R20	<b>Y</b>			<b>9,15</b> Ω
Full load torque				<b>15,57</b> Nm
DOL Starting torque vs FL torque				<b>2,27</b>
DOL Pull up torque vs FL torque				<b>1,56</b>
DOL Pull out torque vs FL torque				<b>2,70</b>
Star-Delta Starting torque vs FL torque				<b>Y - motor</b>
Star-Delta Pull up torque vs FL torque				<b>Y - motor</b>
Star-Delta Pull out torque vs FL torque				<b>Y - motor</b>
DOL Starting current vs FL current				<b>4,59</b>
Star Delta Starting current vs FL current				<b>Y - motor</b>
Rotor Inertia				<b>0,0046</b> kgm2
Bearing DE				<b>6206 - ZZ C3</b>
Bearing NDE				<b>6206 - ZZ C3</b>


WI	Change	date	sign.
<b>Dutchi Motors B.V.</b> P.O. Box 5390 NL-6802 EJ ARNHEM Tel : +31-(0)26 - 3541 600 Fax : +31-(0)26 - 3541 650		Discription Drawing made by :	date sign. HvD
		<b>dutchi.motors@dutchi.nl</b> <b>www.dutchi.com</b>	