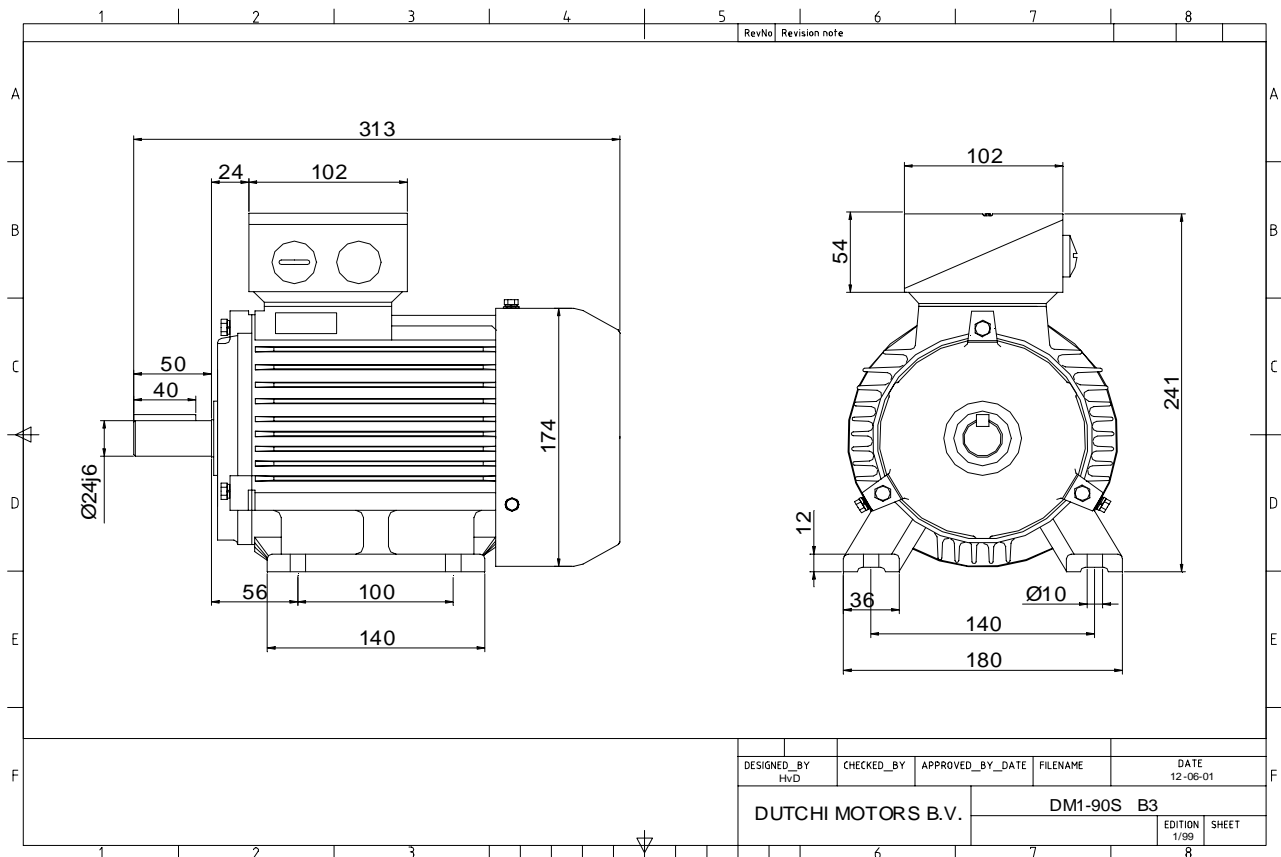


Power is our commodity, the world is our market !



Specification **IEC 60034-1**
 Manufacturer **Dutchi Motors B.V.**
 Motor type **DM1- 90 S6**
 Rated power **0,75** kW **S1** duty
 Speed **910** r.p.m
 Voltage **230 / 400** V
 Frequency **50** Hz
 Connection **Δ / Y**
 Amps full load **3,79 / 2,19** A
 Amps no-load(400V) **1,70** A
 Enclosure **IP 55**
 Insulation Class **F (temp. rise B (80 K))**

Max. coolant temp. **40°C**
 Max. altitude **1.000** mtr, above sea level
 Comment **3 x PTC 150°C**
 Cable entries **2 x M25x1,5 + 1 x M16x1,5 (ptc)**

Feature **Cast-iron motor**
 Weight **23,0** kg
 Catalog no. **11126075D**
 Warranty **12~18 months**

Efficiency class **N/A**
 Load data 100% 75% 50% 25%
 Efficiency **69,4 68,3 61,5 47,8** %
 Power factor **0,71 0,63 0,49 0,35**

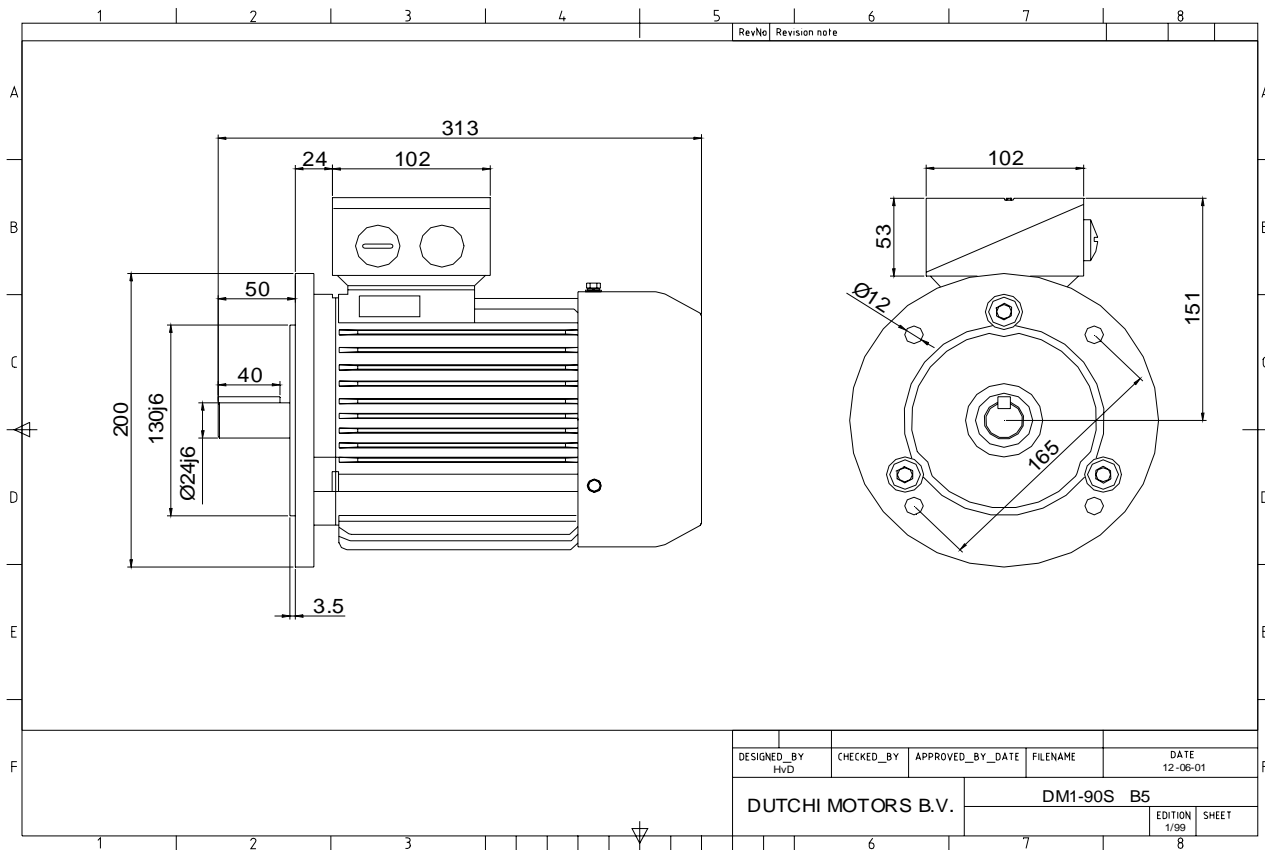
Sound pressure level (1m) **46,0** dB(A)
 Resistance R20 (open) **9,32** Ω
 Resistance R20 **Y 18,64** Ω

Full load torque **7,87** Nm
 DOL Starting torque vs FL torque **2,15**
 DOL Pull up torque vs FL torque **1,51**
 DOL Pull out torque vs FL torque **2,77**
 Star-Delta Starting torque vs FL torque **Y - motor**
 Star-Delta Pull up torque vs FL torque **Y - motor**
 Star-Delta Pull out torque vs FL torque **Y - motor**
 DOL Starting current vs FL current **4,23**
 Star Delta Starting current vs FL current **Y - motor**
 Rotor Inertia **0,0029** kgm²

Bearing DE **6205 - ZZ**
 Bearing NDE **6205 - ZZ**

WI	Change	date	sign.
Dutchi Motors B.V. P.O. Box 5390 NL-6802 EJ ARNHEM Tel : +31-(0)26 - 3541 600 Fax : +31-(0)26 - 3541 650		Discription	date
		Drawing made by :	19-04-04
		dutchi.motors@dutchi.nl www.dutchi.com	

Power is our commodity, the world is our market !



Specification	IEC 60034-1
Manufacturer	Dutchi Motors B.V.
Motor type	DM1- 90 S6
Rated power	0,75 kW S1 duty
Speed	910 r.p.m
Voltage	230 / 400 V
Frequency	50 Hz
Connection	Δ / Y
Amps full load	3,79 / 2,19 A
Amps no-load(400V)	1,70 A
Enclosure	IP 55
Insulation Class	F (temp. rise B (80 K))
Max. coolant temp.	40°C
Max. altitude	1.000 mtr, above sea level
Comment	3 x PTC 150°C
Cable entries	2 x M25x1,5 + 1 x M16x1,5 (ptc)
Feature	Cast-iron motor
Weight	23,0 kg
Catalog no.	11226075D
Warranty	12~18 months

Efficiency class	N/A			
Load data	100%	75%	50%	25%
Efficiency	69,4	68,3	61,5	47,8 %
Power factor	0,71	0,63	0,49	0,35
Sound pressure level (1m)				46,0 dB(A)
Resistance R20 (open)				9,32 Ω
Resistance R20	Y		18,64	Ω
Full load torque				7,87 Nm
DOL Starting torque vs FL torque				2,15
DOL Pull up torque vs FL torque				1,51
DOL Pull out torque vs FL torque				2,77
Star-Delta Starting torque vs FL torque				Y - motor
Star-Delta Pull up torque vs FL torque				Y - motor
Star-Delta Pull out torque vs FL torque				Y - motor
DOL Starting current vs FL current				4,23
Star Delta Starting current vs FL current				Y - motor
Rotor Inertia				0,0029 kgm ²
Bearing DE				6205 - ZZ
Bearing NDE				6205 - ZZ

WI	Change	date	sign.
Dutchi Motors B.V. P.O. Box 5390 NL-6802 EJ ARNHEM Tel : +31-(0)26 - 3541 600 Fax : +31-(0)26 - 3541 650		Discription Drawing made by :	date sign. HvD
dutchi.motors@dutchi.nl www.dutchi.com		19-04-04	