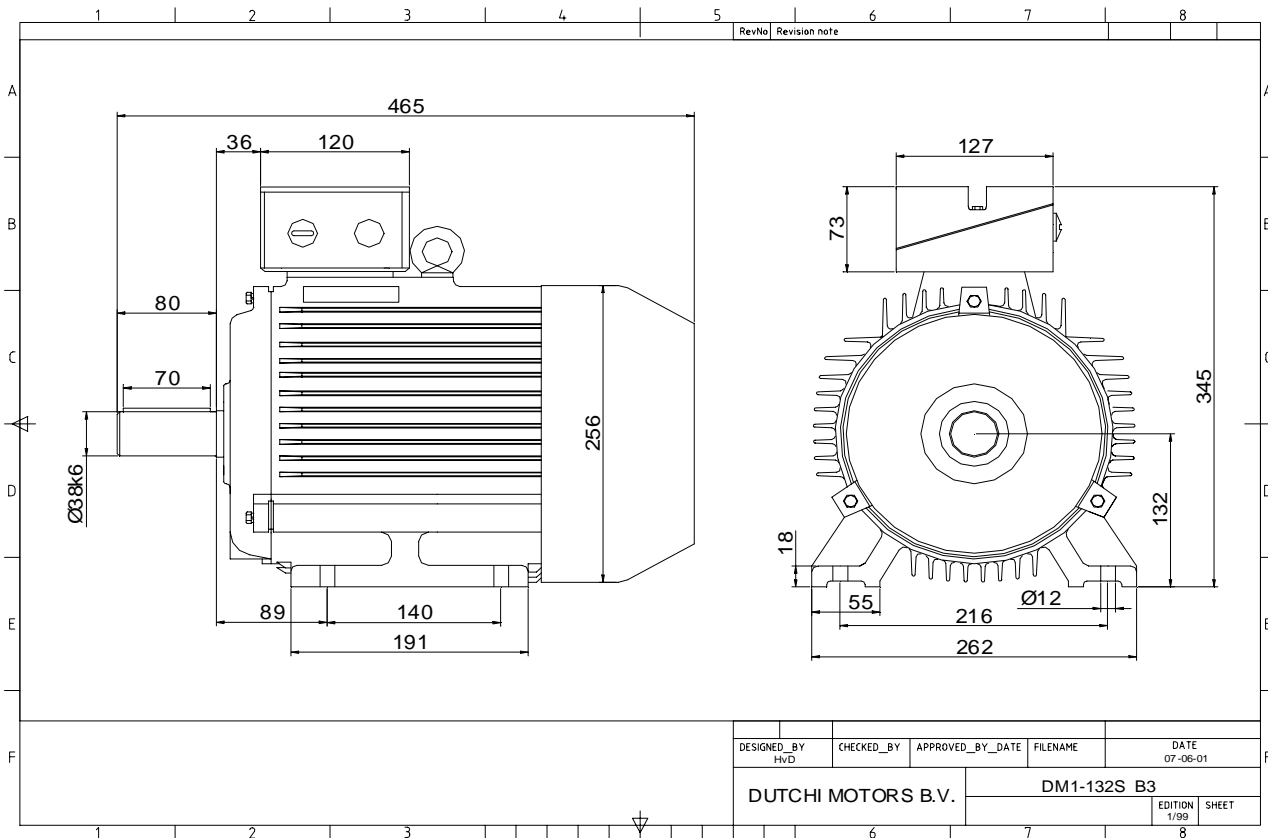


Power is our commodity, the world is our market !



Specification **IEC 60034-1**  
 Manufacturer **Dutchi Motors B.V.**  
 Motor type **DM1- 132 S6**  
 Rated power **3** kW **S1** duty  
 Speed **970** r.p.m  
 Voltage **400 / 690** V  
 Frequency **50** Hz  
 Connection **Δ / Y**  
 Amps full load **7,00 / 4,04** A  
 Amps no-load(400V) **4,80** A  
 Enclosure **IP 55**  
 Insulation Class **F (temp. rise B (80 K))**

Max. coolant temp. **40°C**  
 Max. altitude **1.000** mtr, above sea level  
 Comment **3 x PTC 150°C**  
 Cable entries **2 x M32x1,5 + 1 x M20x1,5 (ptc)**

Feature **Cast-iron motor**  
 Weight **56,0** kg  
 Catalog no. **11136300D**  
 Warranty **12~18 months**

Efficiency class **N/A**  
 Load data 100% 75% 50% 25%  
 Efficiency **81,0 79,6 75,1 62,2** %  
 Power factor **0,76 0,67 0,52 0,34**

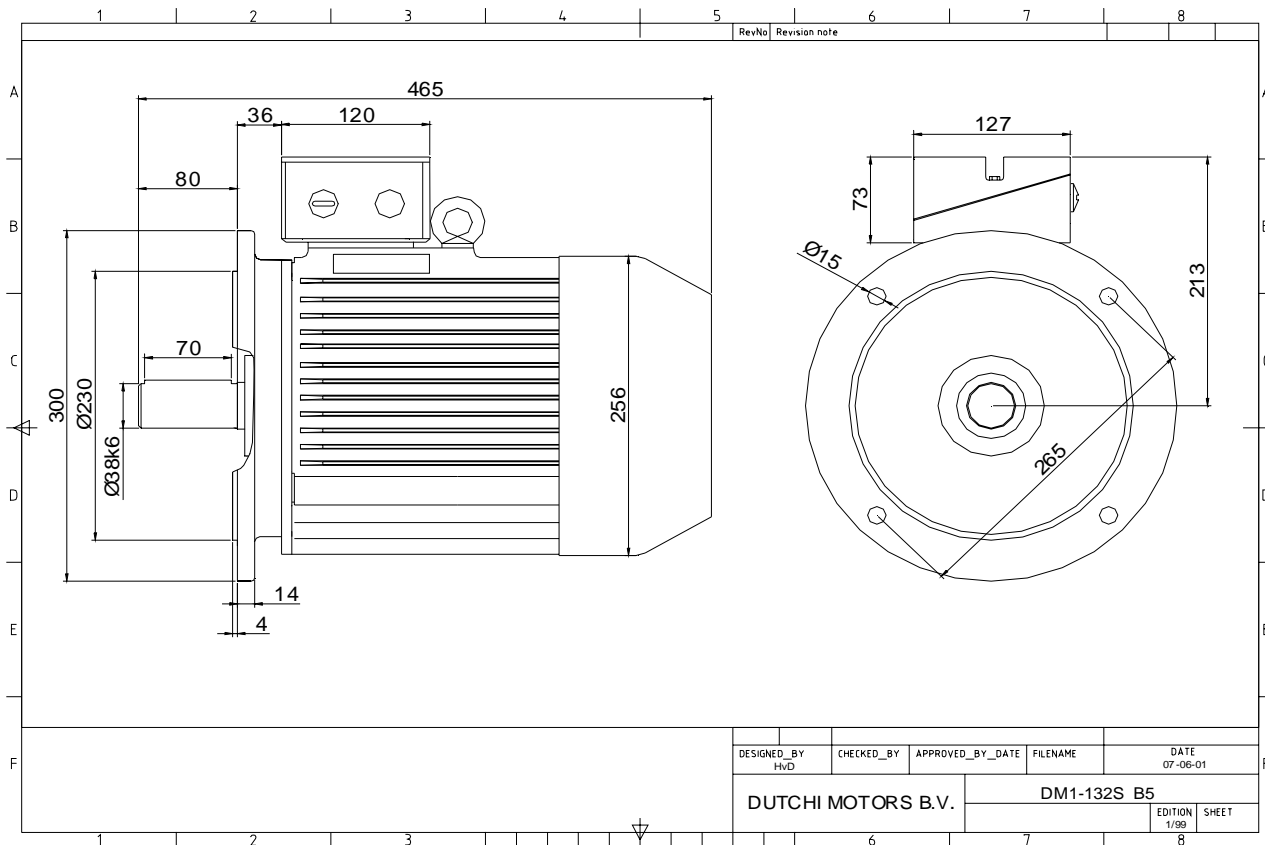
Sound pressure level (1m) **59,0** dB(A)  
 Resistance R20 (open) **5,59** Ω  
 Resistance R20 **Δ 3,72** Ω

Full load torque **29,54** Nm  
 DOL Starting torque vs FL torque **2,07**  
 DOL Pull up torque vs FL torque **1,73**  
 DOL Pull out torque vs FL torque **3,15**  
 Star-Delta Starting torque vs FL torque **0,65**  
 Star-Delta Pull up torque vs FL torque **0,54**  
 Star-Delta Pull out torque vs FL torque **0,98**  
 DOL Starting current vs FL current **6,43**  
 Star Delta Starting current vs FL current **2,01**  
 Rotor Inertia **0,0274** kgm2

Bearing DE **6308 - ZZ C3**  
 Bearing NDE **6308 - ZZ C3**


WI	Change	date	sign.
<b>Dutchi Motors B.V.</b> P.O. Box 5390 NL-6802 EJ ARNHEM Tel : +31-(0)26 - 3541 600 Fax : +31-(0)26 - 3541 650		Description	date
		Drawing made by :	19-04-04
		<b>dutchi.motors@dutchi.nl</b> <b>www.dutchi.com</b>	

Power is our commodity, the world is our market !



Specification **IEC 60034-1**  
 Manufacturer **Dutchi Motors B.V.**  
 Motor type **DM1- 132 S6**  
 Rated power **3** kW **S1** duty  
 Speed **970** r.p.m  
 Voltage **400 / 690** V  
 Frequency **50** Hz  
 Connection **Δ / Y**  
 Amps full load **7,00 / 4,04** A  
 Amps no-load(400V) **4,80** A  
 Enclosure **IP 55**  
 Insulation Class **F (temp. rise B (80 K))**

Max. coolant temp. **40°C**  
 Max. altitude **1.000** mtr, above sea level  
 Comment **3 x PTC 150°C**  
 Cable entries **2 x M32x1,5 + 1 x M20x1,5 (ptc)**

Feature **Cast-iron motor**  
 Weight **56,0** kg  
 Catalog no. **11236300D**  
 Warranty **12~18 months**

Efficiency class **N/A**  
 Load data 100% 75% 50% 25%  
 Efficiency **81,0 79,6 75,1 62,2** %  
 Power factor **0,76 0,67 0,52 0,34**

Sound pressure level (1m) **59,0** dB(A)  
 Resistance R20 (open) **5,59** Ω  
 Resistance R20 **Δ 3,72** Ω

Full load torque **29,54** Nm  
 DOL Starting torque vs FL torque **2,07**  
 DOL Pull up torque vs FL torque **1,73**  
 DOL Pull out torque vs FL torque **3,15**  
 Star-Delta Starting torque vs FL torque **0,65**  
 Star-Delta Pull up torque vs FL torque **0,54**  
 Star-Delta Pull out torque vs FL torque **0,98**  
 DOL Starting current vs FL current **6,43**  
 Star Delta Starting current vs FL current **2,01**  
 Rotor Inertia **0,0274** kgm<sup>2</sup>

Bearing DE **6308 - ZZ C3**  
 Bearing NDE **6308 - ZZ C3**


WI	Change	date	sign.
<b>Dutchi Motors B.V.</b> P.O. Box 5390 NL-6802 EJ ARNHEM Tel : +31-(0)26 - 3541 600 Fax : +31-(0)26 - 3541 650		Description	date
		Drawing made by :	19-04-04
		dutchi.motors@dutchi.nl www.dutchi.com	