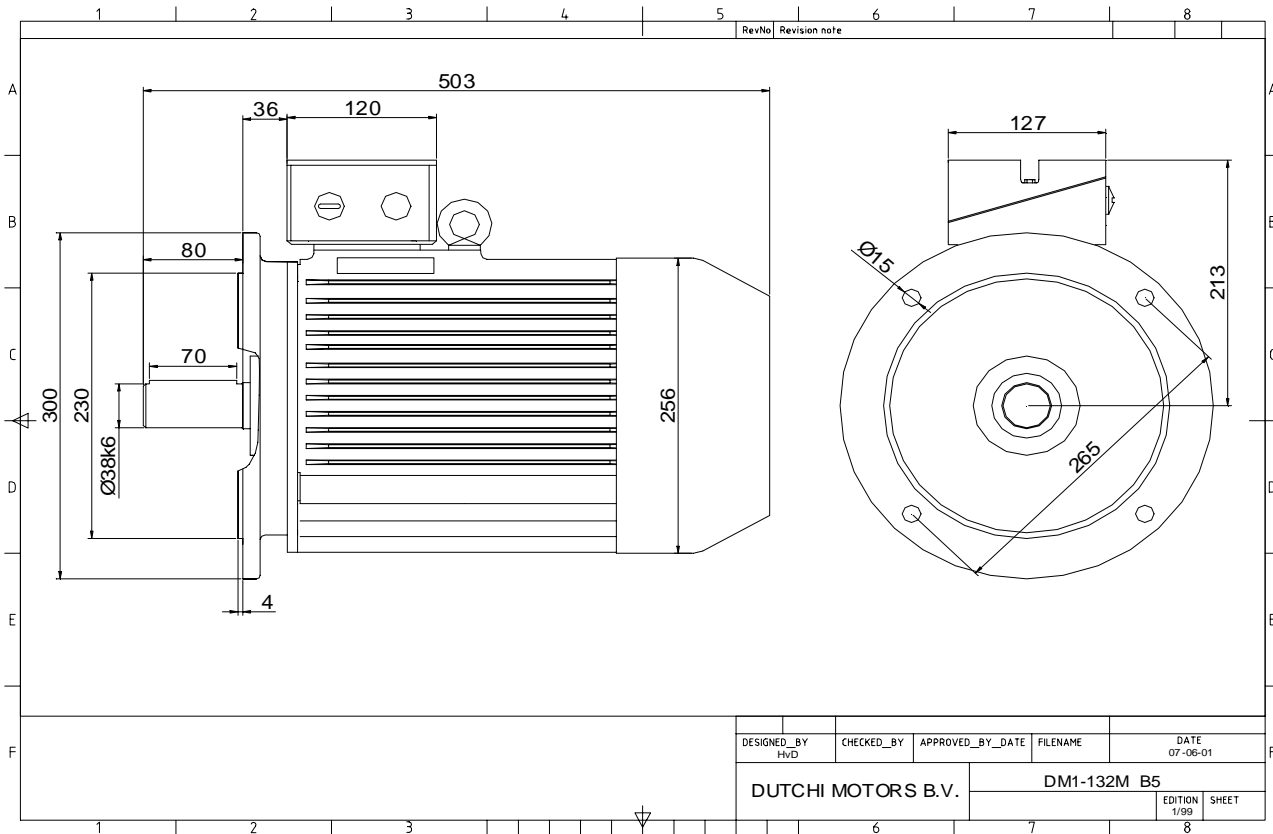


Power is our commodity, the world is our market !



Specification	<b>IEC 60034-1</b>
Manufacturer	<b>Dutchi Motors B.V.</b>
Motor type	<b>DM1- 132 M8</b>
Rated power	<b>3</b> kW <b>S1</b> duty
Speed	<b>710</b> r.p.m
Voltage	<b>400 / 690</b> V
Frequency	<b>50</b> Hz
Connection	<b>Δ / Y</b>
Amps full load	<b>7,31 / 4,22</b> A
Amps no-load(400V)	<b>5,00</b> A
Enclosure	<b>IP 55</b>
Insulation Class	<b>F (temp. rise B (80 K))</b>
Max. coolant temp.	<b>40°C</b>
Max. altitude	<b>1.000</b> mtr, above sea level
Comment	<b>3 x PTC 150°C</b>
Cable entries	<b>2 x M32x1,5 + 1 x M20x1,5 (ptc)</b>
Feature	<b>Cast-iron motor</b>
Weight	<b>66,0</b> kg
Catalog no.	<b>11208300D</b>
Warranty	<b>12~18 months</b>

Efficiency class	<b>N/A</b>			
Load data	100%	75%	50%	25%
Efficiency	<b>80,7</b>	<b>81,2</b>	<b>78,6</b>	<b>68,0</b> %
Power factor	<b>0,73</b>	<b>0,64</b>	<b>0,50</b>	<b>0,31</b>
Sound pressure level (1m)				<b>44,4</b> dB(A)
Resistance R20 (open)				<b>6,36</b> Ω
Resistance R20	<b>Δ</b>			<b>4,24</b> Ω
Full load torque				<b>40,35</b> Nm
DOL Starting torque vs FL torque				<b>1,96</b>
DOL Pull up torque vs FL torque				<b>1,69</b>
DOL Pull out torque vs FL torque				<b>3,05</b>
Star-Delta Starting torque vs FL torque				<b>0,61</b>
Star-Delta Pull up torque vs FL torque				<b>0,53</b>
Star-Delta Pull out torque vs FL torque				<b>0,95</b>
DOL Starting current vs FL current				<b>5,21</b>
Star Delta Starting current vs FL current				<b>1,63</b>
Rotor Inertia				<b>0,0380</b> kgm <sup>2</sup>
Bearing DE				<b>6308 - ZZ C3</b>
Bearing NDE				<b>6308 - ZZ C3</b>


WI	Change	date	sign.
<b>Dutchi Motors B.V.</b> P.O. Box 5390 NL-6802 EJ ARNHEM Tel : +31-(0)26 - 3541 600 Fax : +31-(0)26 - 3541 650		Discription Drawing made by :	date 19-04-04 sign. HvD
dutchi.motors@dutchi.nl www.dutchi.com			