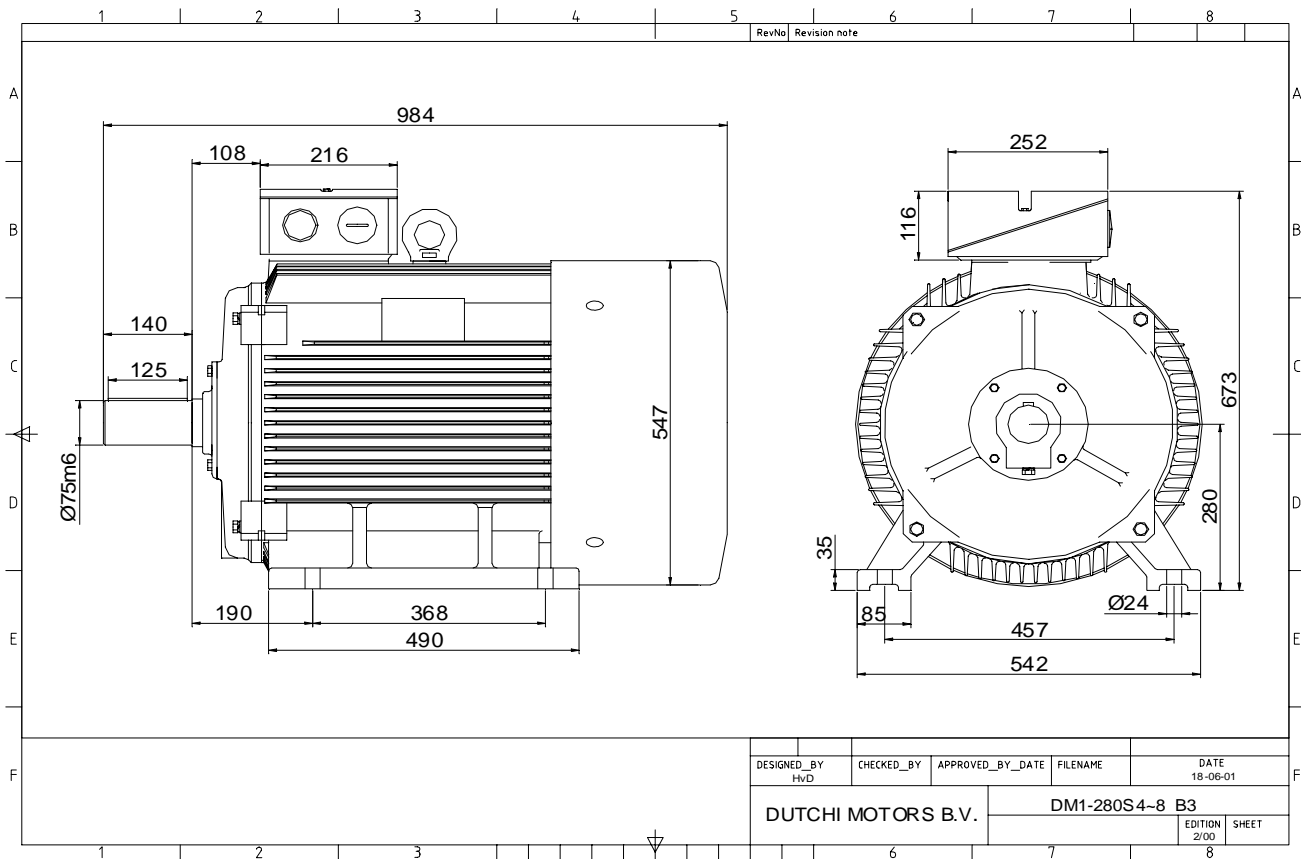


Power is our commodity, the world is our market !



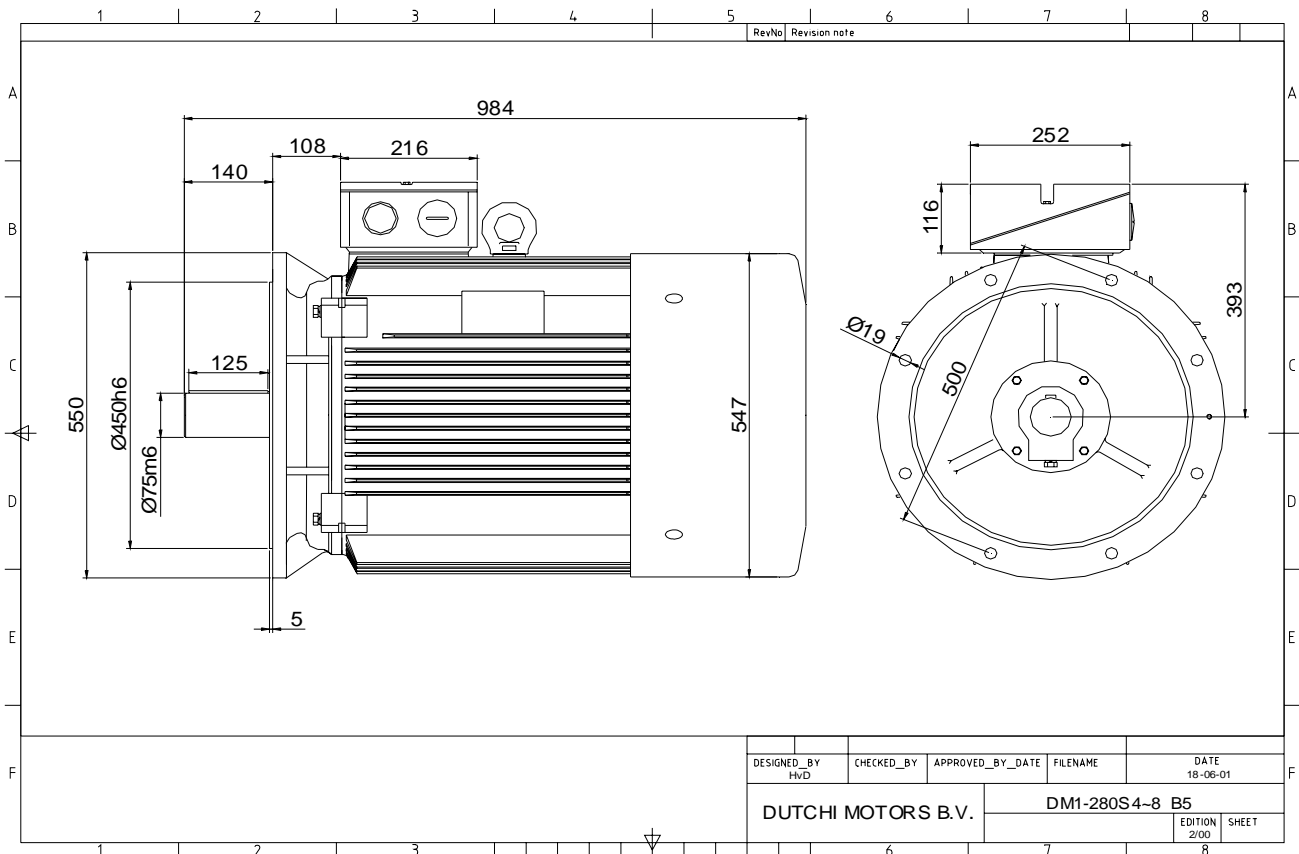
DESIGNED_BY HvD	CHECKED_BY	APPROVED_BY_DATE	FILENAME	DATE 18-06-01
DUTCHI MOTORS B.V.			DM1-280S4-8 B3	EDITION 2/00
				SHEET

Specification	<b>IEC 60034-1</b>
Manufacturer	<b>Dutchi Motors B.V.</b>
Motor type	<b>DM1- 280 S4</b>
Rated power	<b>75,00 kW S1</b> duty
Speed	<b>1484</b> r.p.m
Voltage	<b>400 / 690</b> V
Frequency	<b>50</b> Hz
Connection	<b>Δ / Y</b>
Amps full load	<b>131,8 / 76,1</b> A
Amps no-load(400V)	<b>41,01</b> A
Enclosure	<b>IP 55</b>
Insulation Class	<b>F (temp. rise B (80 K))</b>
Max. coolant temp.	<b>40°C</b>
Max. altitude	<b>1.000</b> mtr, above sea level
Comment	<b>3 x PTC 150°C</b>
Cable entries	<b>2 x M63x1,5 + 1 x M20x1,5 (ptc)</b>
Feature	<b>Cast-iron motor</b>
Weight	<b>510</b> kg
Catalog no.	<b>11134A75D</b>
Warranty	<b>12~18 months</b>

Efficiency class	<b>EFF 2</b>			
Load data	100%	75%	50%	25%
Efficiency	<b>94,0</b>	<b>93,9</b>	<b>92,9</b>	<b>88,7</b> %
Power factor	<b>0,87</b>	<b>0,86</b>	<b>0,80</b>	<b>0,59</b>
Sound pressure level (1m)				<b>71,8</b> dB(A)
Resistance R20 (open)				<b>0,067</b> Ω
Resistance R20	<b>Δ</b>			<b>0,045</b> Ω
Full load torque				<b>483</b> Nm
DOL Starting torque vs FL torque				<b>2,45</b>
DOL Pull up torque vs FL torque				<b>1,73</b>
DOL Pull out torque vs FL torque				<b>3,36</b>
Star-Delta Starting torque vs FL torque				<b>0,76</b>
Star-Delta Pull up torque vs FL torque				<b>0,54</b>
Star-Delta Pull out torque vs FL torque				<b>1,05</b>
DOL Starting current vs FL current				<b>6,84</b>
Star Delta Starting current vs FL current				<b>2,14</b>
Rotor Inertia				<b>1,0450</b> kgm <sup>2</sup>
Bearing DE				<b>6317 - C3 or NU317</b>
Bearing NDE				<b>6317 - C3</b>


WI	Change	date	sign.
Dutchi Motors B.V.		Description	date
P.O. Box 5390		Drawing made by :	27-04-04
NL-6802 EJ ARNHEM			
Tel : +31-(0)26 - 3541 600		<b>dutchi.motors@dutchi.nl</b>	
Fax : +31-(0)26 - 3541 650		<b>www.dutchi.com</b>	

Power is our commodity, the world is our market !



DESIGNED_BY HVD	CHECKED_BY	APPROVED_BY_DATE	FILENAME	DATE 18-06-01
DUTCHI MOTORS B.V.			DM1-280S4-8 B5	
			EDITION 2/00	SHEET

Specification	<b>IEC 60034-1</b>
Manufacturer	<b>Dutchi Motors B.V.</b>
Motor type	<b>DM1- 280 S4</b>
Rated power	<b>75,00 kW S1</b> duty
Speed	<b>1484</b> r.p.m
Voltage	<b>400 / 690</b> V
Frequency	<b>50</b> Hz
Connection	<b>Δ / Y</b>
Amps full load	<b>131,8 / 76,1</b> A
Amps no-load(400V)	<b>41,01</b> A
Enclosure	<b>IP 55</b>
Insulation Class	<b>F (temp. rise B (80 K))</b>
Max. coolant temp.	<b>40°C</b>
Max. altitude	<b>1.000</b> mtr, above sea level
Comment	<b>3 x PTC 150°C</b>
Cable entries	<b>2 x M63x1,5 + 1 x M20x1,5 (ptc)</b>
Feature	<b>Cast-iron motor</b>
Weight	<b>510</b> kg
Catalog no.	<b>11234A75D</b>
Warranty	<b>12~18 months</b>

Efficiency class	<b>EFF 2</b>			
Load data	100%	75%	50%	25%
Efficiency	<b>94,0</b>	<b>93,9</b>	<b>92,9</b>	<b>88,7</b> %
Power factor	<b>0,87</b>	<b>0,86</b>	<b>0,80</b>	<b>0,59</b>
Sound pressure level (1m)				<b>71,8</b> dB(A)
Resistance R20 (open)				<b>0,067</b> Ω
Resistance R20	<b>Δ</b>			<b>0,045</b> Ω
Full load torque				<b>483</b> Nm
DOL Starting torque vs FL torque				<b>2,45</b>
DOL Pull up torque vs FL torque				<b>1,73</b>
DOL Pull out torque vs FL torque				<b>3,36</b>
Star-Delta Starting torque vs FL torque				<b>0,76</b>
Star-Delta Pull up torque vs FL torque				<b>0,54</b>
Star-Delta Pull out torque vs FL torque				<b>1,05</b>
DOL Starting current vs FL current				<b>6,84</b>
Star Delta Starting current vs FL current				<b>2,14</b>
Rotor Inertia				<b>1,0450</b> kgm <sup>2</sup>
Bearing DE				<b>6317 - C3 or NU317</b>
Bearing NDE				<b>6317 - C3</b>


WI	Change	date	sign.
<b>Dutchi Motors B.V.</b> P.O. Box 5390 NL-6802 EJ ARNHEM Tel : +31-(0)26 - 3541 600 Fax : +31-(0)26 - 3541 650		Discription Drawing made by :	date 27-04-04
		dutchi.motors@dutchi.nl www.dutchi.com	