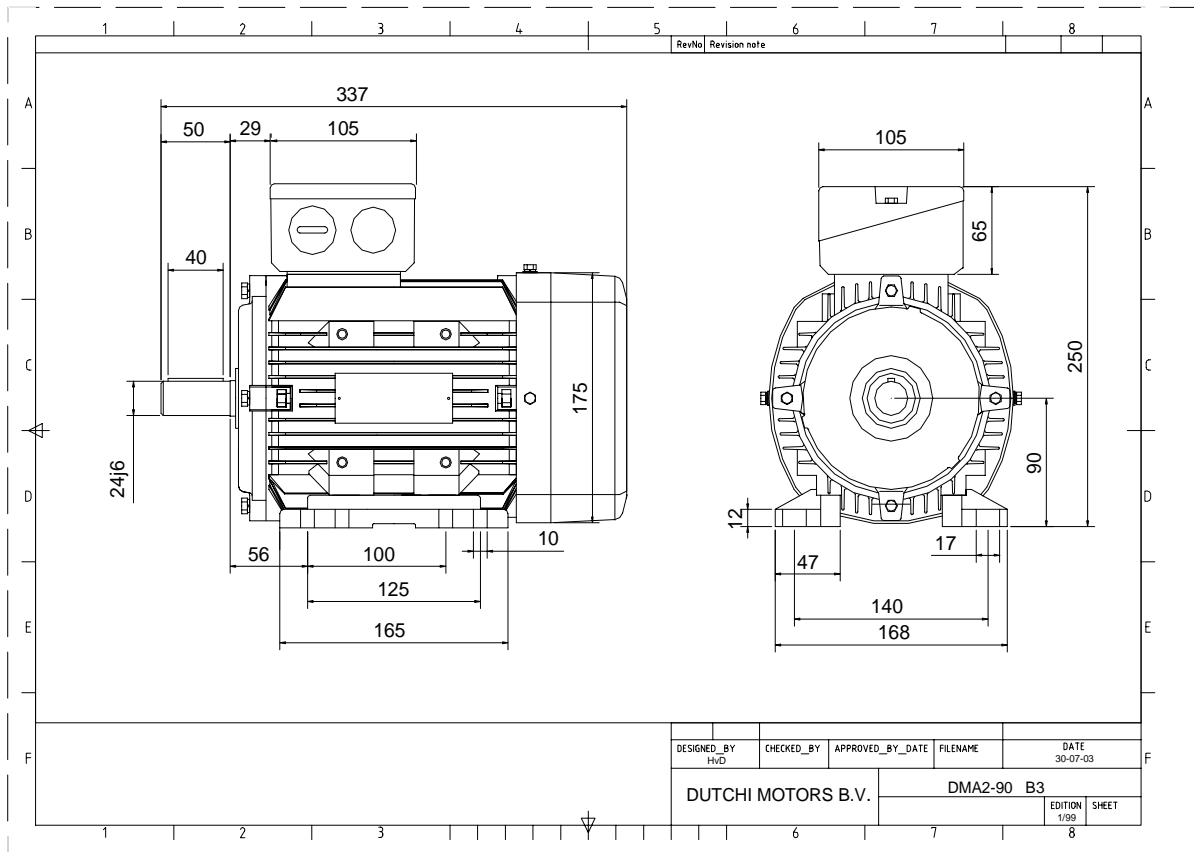


Power is our commodity, the world is our market !



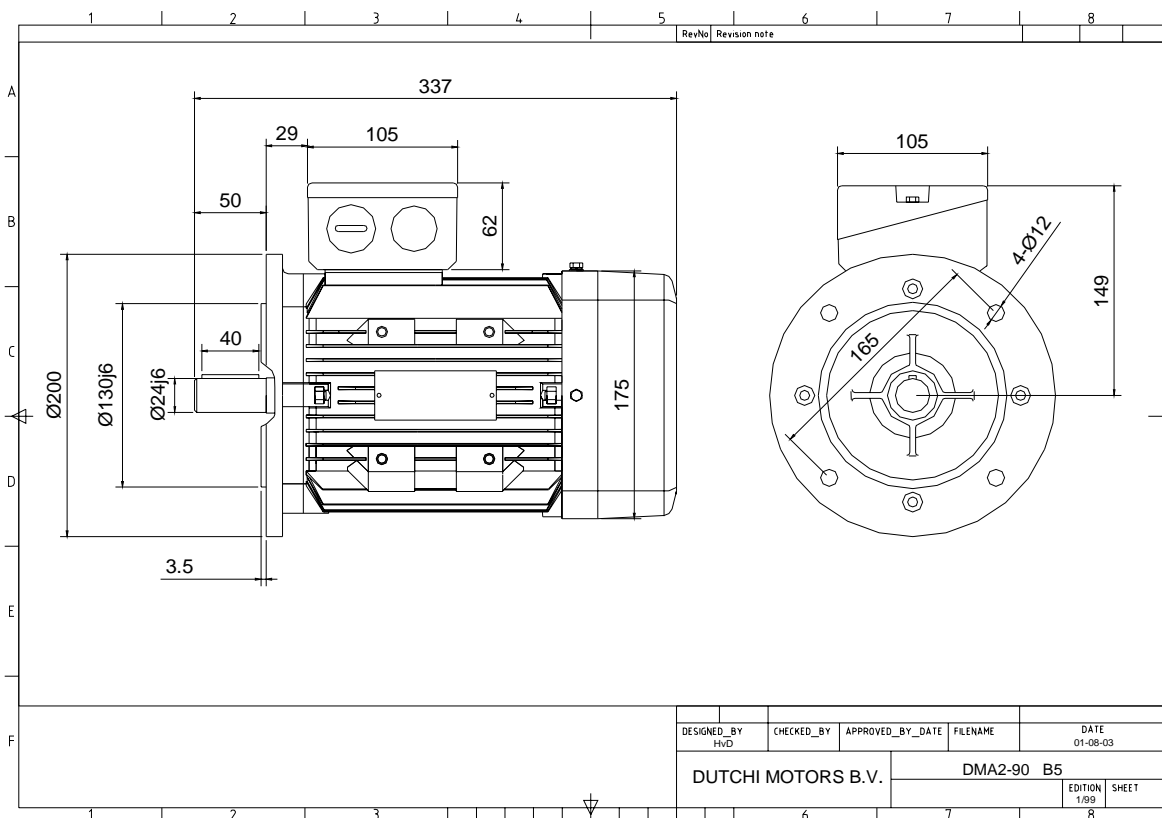
Specification	IEC 60034-1		
Manufacturer	Dutchi Motors B.V.		
Motor type	DMA2-HE 90S4		
Rated power	1,10	kW	S1 duty
Speed	1430	r.p.m	
Voltage	230	/	400 V
Frequency	50	Hz	
Connection	Δ	/	Y
Amps full load	4,5	/	2,6 A
Amps no-load(400V)	1,86	A	
Enclosure	IP 55		
Insulation Class	F (temp. rise B (80 K))		
Max. coolant temp.	40°C		
Max. altitude	1.000	mtr,	above sea level
Comment			
Cable entries	2 x M25*1,5		
Feature	Alumimium motor		
Weight		kg	
Catalog no.	18124110DH		
Warranty	12~18 months		

Efficiency class	EFF 1			
Load data	100%	75%	50%	25%
Efficiency	83,8	84,3	82,6	73,9 %
Power factor	0,72	0,62	0,47	0,28
Sound pressure level (1m)				48,9 dB(A)
Resistance R20 (open)				4,931 Ω
Resistance R20	Y			9,863 Ω
Full load torque				7 Nm
DOL Starting torque vs FL torque				3,32
DOL Pull up torque vs FL torque				1,85
DOL Pull out torque vs FL torque				3,31
Star-Delta Starting torque vs FL torque				Y - motor
Star-Delta Pull up torque vs FL torque				Y - motor
Star-Delta Pull out torque vs FL torque				Y - motor
DOL Starting current vs FL current				6,11
Star Delta Starting current vs FL current				Y - motor
Rotor Inertia				kgm2
Bearing DE				6205 - ZZ C3
Bearing NDE				6205 - ZZ C3

WI	Change	date	sign.
Dutchi Motors B.V. P.O. Box 5390 NL-6802 EJ ARNHEM Tel : +31-(0)26 - 3541 600 Fax : +31-(0)26 - 3541 650		Discription	date
		Drawing made by :	27-04-04
		dutchi.motors@dutchi.nl www.dutchi.com	



Power is our commodity, the world is our market !



DESIGNED_BY HvD	CHECKED_BY	APPROVED_BY_DATE	FILENAME	DATE 01-08-03
DUTCHI MOTORS B.V.			DMA2-90 B5	
			EDITION 1/89	SHEET

Specification	IEC 60034-1		
Manufacturer	Dutchi Motors B.V.		
Motor type	DMA2-HE 90S4		
Rated power	1,10	kW	S1 duty
Speed	1430	r.p.m	
Voltage	230	/	400 V
Frequency	50	Hz	
Connection	Δ	/	Y
Amps full load	4,5	/	2,6 A
Amps no-load(400V)	1,86	A	
Enclosure	IP 55		
Insulation Class	F (temp. rise B (80 K))		
Max. coolant temp.	40°C		
Max. altitude	1.000	mtr, above sea level	
Comment			
Cable entries	2 x M25*1,5		
Feature	Alumimium motor		
Weight		kg	
Catalog no.	18224110DH		
Warranty	12~18 months		

Efficiency class	EFF 1			
Load data	100%	75%	50%	25%
Efficiency	83,8	84,3	82,6	73,9 %
Power factor	0,72	0,62	0,47	0,28
Sound pressure level (1m)			48,9	dB(A)
Resistance R20 (open)			4,931	Ω
Resistance R20		Y	9,863	Ω
Full load torque			7	Nm
DOL Starting torque vs FL torque			3,32	
DOL Pull up torque vs FL torque			1,85	
DOL Pull out torque vs FL torque			3,31	
Star-Delta Starting torque vs FL torque			Y - motor	
Star-Delta Pull up torque vs FL torque			Y - motor	
Star-Delta Pull out torque vs FL torque			Y - motor	
DOL Starting current vs FL current			6,11	
Star Delta Starting current vs FL current			Y - motor	
Rotor Inertia				kgm2
Bearing DE			6205 - ZZ C3	
Bearing NDE			6205 - ZZ C3	

WI	Change	date	sign.
Dutchi Motors B.V. P.O. Box 5390 NL-6802 EJ ARNHEM Tel : +31-(0)26 - 3541 600 Fax : +31-(0)26 - 3541 650		Discription	date
		Drawing made by :	27-04-04
		dutchi.motors@dutchi.nl www.dutchi.com	