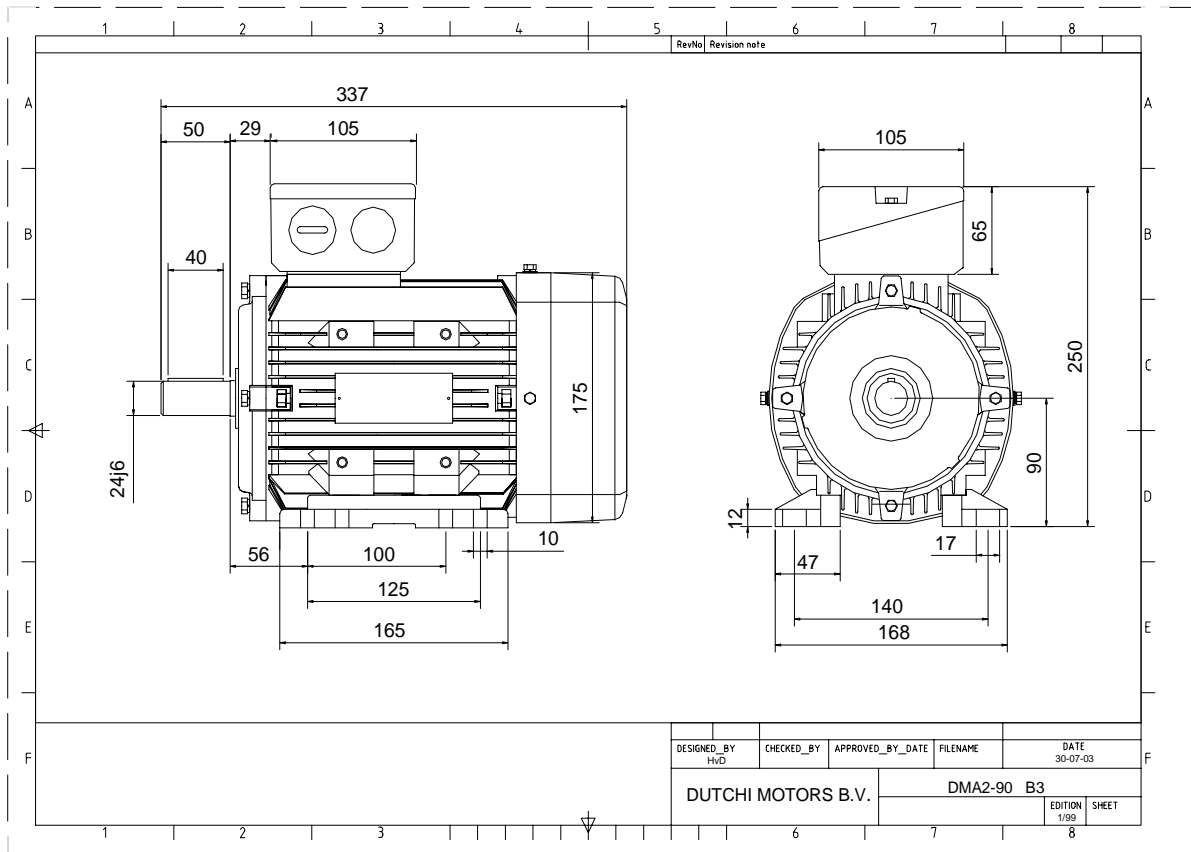


Power is our commodity, the world is our market !

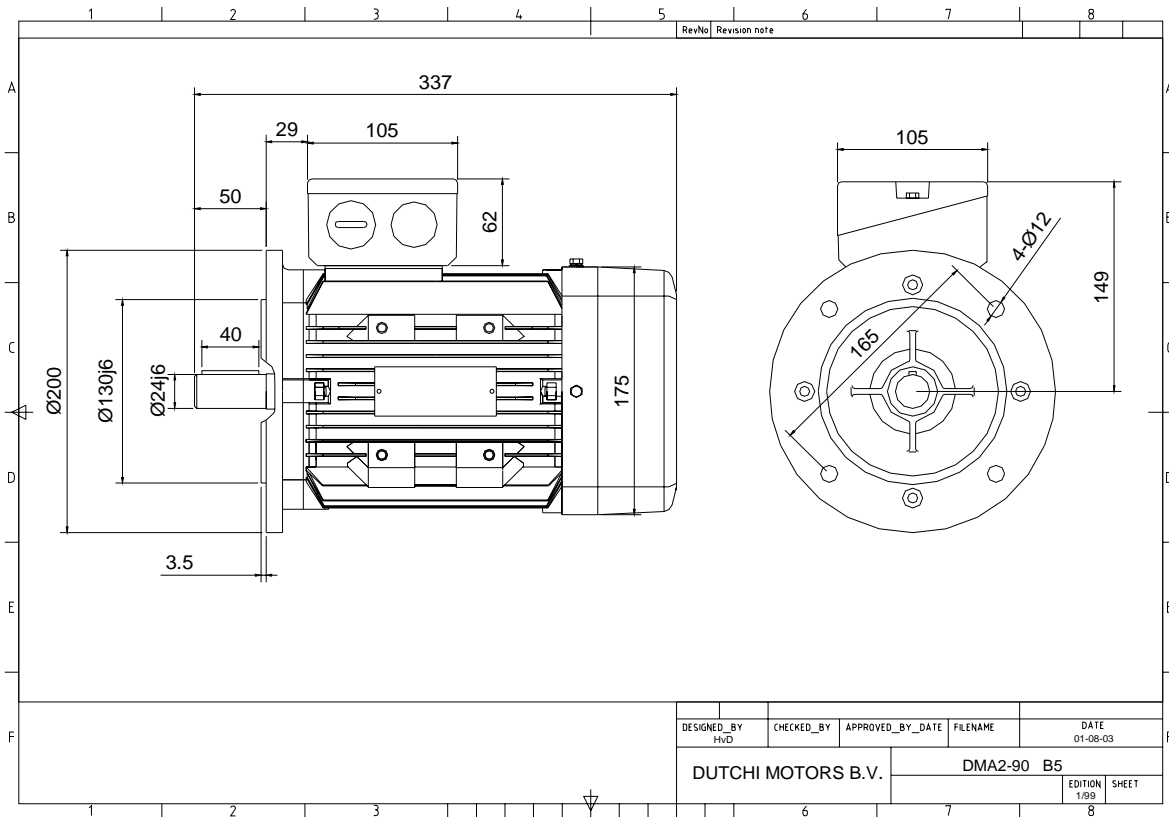


Specification	<b>IEC 60034-1</b>
Manufacturer	<b>Dutchi Motors B.V.</b>
Motor type	<b>DMA2-HE 90L2</b>
Rated power	<b>2,20</b> kW <b>S1</b> duty
Speed	<b>2865</b> r.p.m
Voltage	<b>230</b> / <b>400</b> V
Frequency	<b>50</b> Hz
Connection	<b>Δ</b> / <b>Y</b>
Amps full load	<b>7,7</b> / <b>4,4</b> A
Amps no-load(400V)	<b>2,30</b> A
Enclosure	<b>IP 55</b>
Insulation Class	<b>F (temp. rise B (80 K))</b>
Max. coolant temp.	<b>40°C</b>
Max. altitude	<b>1.000</b> mtr, above sea level
Comment	
Cable entries	<b>2 x M25*1,5</b>
Feature	<b>Alumimium motor</b>
Weight	kg
Catalog no.	<b>18122220DH</b>
Warranty	<b>12~18 months</b>

Efficiency class	<b>EFF 1</b>			
Load data	100%	75%	50%	25%
Efficiency	<b>85,6</b>	<b>86,7</b>	<b>86,3</b>	<b>81,1</b> %
Power factor	<b>0,84</b>	<b>0,77</b>	<b>0,64</b>	<b>0,42</b>
Sound pressure level (1m)				<b>59,5</b> dB(A)
Resistance R20 (open)				<b>2,396</b> Ω
Resistance R20	<b>Y</b>			<b>4,791</b> Ω
Full load torque				<b>7</b> Nm
DOL Starting torque vs FL torque				<b>3,36</b>
DOL Pull up torque vs FL torque				<b>2,06</b>
DOL Pull out torque vs FL torque				<b>3,53</b>
Star-Delta Starting torque vs FL torque				<b>Y - motor</b>
Star-Delta Pull up torque vs FL torque				<b>Y - motor</b>
Star-Delta Pull out torque vs FL torque				<b>Y - motor</b>
DOL Starting current vs FL current				<b>8,01</b>
Star Delta Starting current vs FL current				<b>Y - motor</b>
Rotor Inertia				kgm2
Bearing DE				<b>6205 - ZZ C3</b>
Bearing NDE				<b>6205 - ZZ C3</b>


WI	Change	date	sign.
<b>Dutchi Motors B.V.</b> P.O. Box 5390 NL-6802 EJ ARNHEM Tel : +31-(0)26 - 3541 600 Fax : +31-(0)26 - 3541 650		Discription	date
		Drawing made by :	27-04-04
		<b>dutchi.motors@dutchi.nl</b> <b>www.dutchi.com</b>	

Power is our commodity, the world is our market !



Specification	<b>IEC 60034-1</b>		
Manufacturer	<b>Dutchi Motors B.V.</b>		
Motor type	<b>DMA2-HE 90L2</b>		
Rated power	<b>2,20</b>	kW	<b>S1</b> duty
Speed	<b>2865</b>	r.p.m	
Voltage	<b>230</b>	/	<b>400</b> V
Frequency	<b>50</b>	Hz	
Connection	<b>Δ</b>	/	<b>Y</b>
Amps full load	<b>7,7</b>	/	<b>4,4</b> A
Amps no-load(400V)	<b>2,30</b>	A	
Enclosure	<b>IP 55</b>		
Insulation Class	<b>F (temp. rise B (80 K))</b>		
Max. coolant temp.	<b>40°C</b>		
Max. altitude	<b>1.000</b>	mtr, above sea level	
Comment			
Cable entries	<b>2 x M25*1,5</b>		
Feature	<b>Alumimium motor</b>		
Weight		kg	
Catalog no.	<b>1822220DH</b>		
Warranty	<b>12~18 months</b>		

Efficiency class	<b>EFF 1</b>			
Load data	100%	75%	50%	25%
Efficiency	<b>85,6</b>	<b>86,7</b>	<b>86,3</b>	<b>81,1</b> %
Power factor	<b>0,84</b>	<b>0,77</b>	<b>0,64</b>	<b>0,42</b>
Sound pressure level (1m)				<b>59,5</b> dB(A)
Resistance R20 (open)				<b>2,396</b> Ω
Resistance R20	<b>Y</b>			<b>4,791</b> Ω
Full load torque				<b>7</b> Nm
DOL Starting torque vs FL torque				<b>3,36</b>
DOL Pull up torque vs FL torque				<b>2,06</b>
DOL Pull out torque vs FL torque				<b>3,53</b>
Star-Delta Starting torque vs FL torque				<b>Y - motor</b>
Star-Delta Pull up torque vs FL torque				<b>Y - motor</b>
Star-Delta Pull out torque vs FL torque				<b>Y - motor</b>
DOL Starting current vs FL current				<b>8,01</b>
Star Delta Starting current vs FL current				<b>Y - motor</b>
Rotor Inertia				kgm2
Bearing DE				<b>6205 - ZZ C3</b>
Bearing NDE				<b>6205 - ZZ C3</b>


WI	Change	date	sign.
<b>Dutchi Motors B.V.</b> P.O. Box 5390 NL-6802 EJ ARNHEM Tel : +31-(0)26 - 3541 600 Fax : +31-(0)26 - 3541 650		Discription	date
		Drawing made by :	27-04-04
		<b>dutchi.motors@dutchi.nl</b> <b>www.dutchi.com</b>	