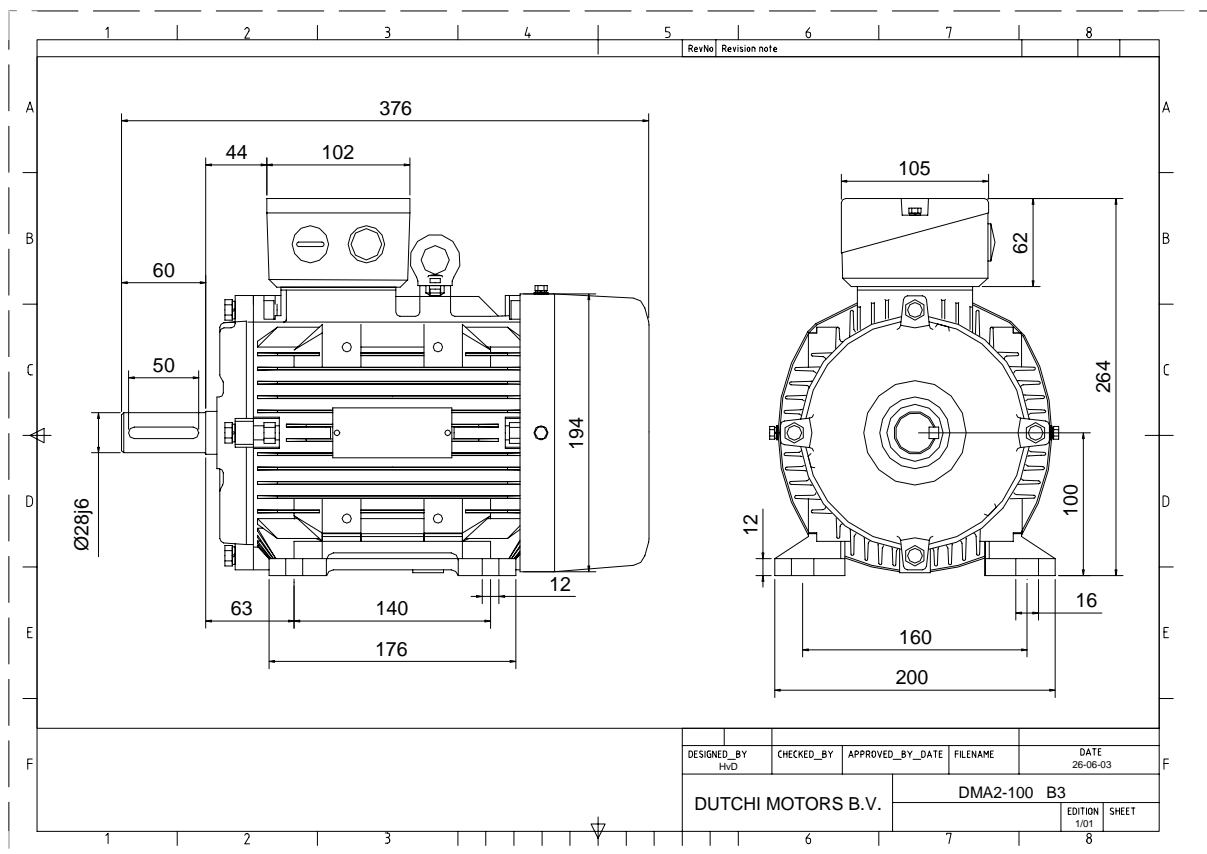


Power is our commodity, the world is our market !



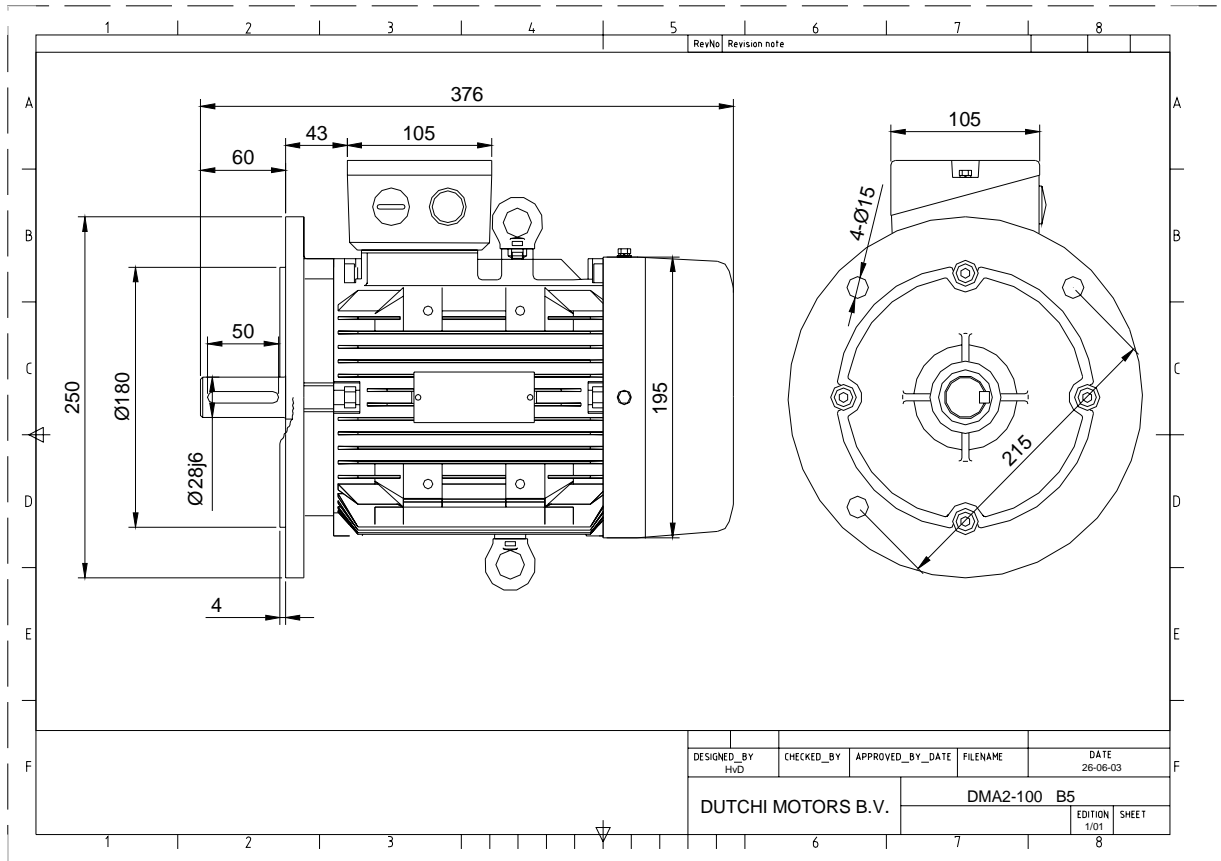
Specification	IEC 60034-1
Manufacturer	Dutchi Motors B.V.
Motor type	DMA2-HE 100L4
Rated power	2,20 kW S1 duty
Speed	1435 r.p.m
Voltage	230 / 400 V
Frequency	50 Hz
Connection	Δ / Y
Amps full load	7,78 / 4,49 A
Amps no-load(400V)	2,51 A
Enclosure	IP 55
Insulation Class	F (temp. rise B (80 K))
Max. coolant temp.	40°C
Max. altitude	1.000 mtr, above sea level
Comment	
Cable entries	2 x M25x1,5
Feature	Alumimium motor
Weight	kg
Catalog no.	18122220DH
Warranty	12~18 months

Efficiency class	EFF 1			
Load data	100%	75%	50%	25%
Efficiency	86,5	86,9	85,4	78,2 %
Power factor	0,82	0,74	0,60	0,38
Sound pressure level (1m)				53,6 dB(A)
Resistance R20 (open)				2,01 Ω
Resistance R20	Y			4,02 Ω
Full load torque				14,64 Nm
DOL Starting torque vs FL torque				3,28
DOL Pull up torque vs FL torque				2,22
DOL Pull out torque vs FL torque				3,69
Star-Delta Starting torque vs FL torque				Y - motor
Star-Delta Pull up torque vs FL torque				Y - motor
Star-Delta Pull out torque vs FL torque				Y - motor
DOL Starting current vs FL current				7,74
Star Delta Starting current vs FL current				Y - motor
Rotor Inertia				kgm2
Bearing DE				6206 - ZZ C3
Bearing NDE				6206 - ZZ C3

voorbeelden - extra's

WI	Change	date	sign.
Dutchi Motors B.V. P.O. Box 5390 NL-6802 EJ ARNHEM Tel : +31-(0)26 - 3541 600 Fax : +31-(0)26 - 3541 650		Discription	date
		Drawing made by :	05-05-04
		dutchi.motors@dutchi.nl www.dutchi.com	
		date	sign.
		HvD	

Power is our commodity, the world is our market !



Specification	IEC 60034-1
Manufacturer	Dutchi Motors B.V.
Motor type	DMA2-HE 100L4
Rated power	2,20 kW S1 duty
Speed	1435 r.p.m
Voltage	230 / 400 V
Frequency	50 Hz
Connection	Δ / Y
Amps full load	7,78 / 4,49 A
Amps no-load(400V)	2,51 A
Enclosure	IP 55
Insulation Class	F (temp. rise B (80 K))
Max. coolant temp.	40°C
Max. altitude	1.000 mtr, above sea level
Comment	
Cable entries	2 x M25x1,5
Feature	Alumimium motor
Weight	kg
Catalog no.	1822220DH
Warranty	12~18 months

Efficiency class	EFF 1
Load data	100% 75% 50% 25%
Efficiency	86,5 86,9 85,4 78,2 %
Power factor	0,82 0,74 0,60 0,38
Sound pressure level (1m)	53,6 dB(A)
Resistance R20 (open)	2,01 Ω
Resistance R20	Y 4,02 Ω
Full load torque	14,64 Nm
DOL Starting torque vs FL torque	3,28
DOL Pull up torque vs FL torque	2,22
DOL Pull out torque vs FL torque	3,69
Star-Delta Starting torque vs FL torque	Y - motor
Star-Delta Pull up torque vs FL torque	Y - motor
Star-Delta Pull out torque vs FL torque	Y - motor
DOL Starting current vs FL current	7,74
Star Delta Starting current vs FL current	Y - motor
Rotor Inertia	kgm2
Bearing DE	6206 - ZZ C3
Bearing NDE	6206 - ZZ C3

voorbeelden - extra's

WI	Change	date	sign.
Dutchi Motors B.V. P.O. Box 5390 NL-6802 EJ ARNHEM Tel : +31-(0)26 - 3541 600 Fax : +31-(0)26 - 3541 650		Discription	date
		Drawing made by :	05-05-04
		dutchi.motors@dutchi.nl www.dutchi.com	