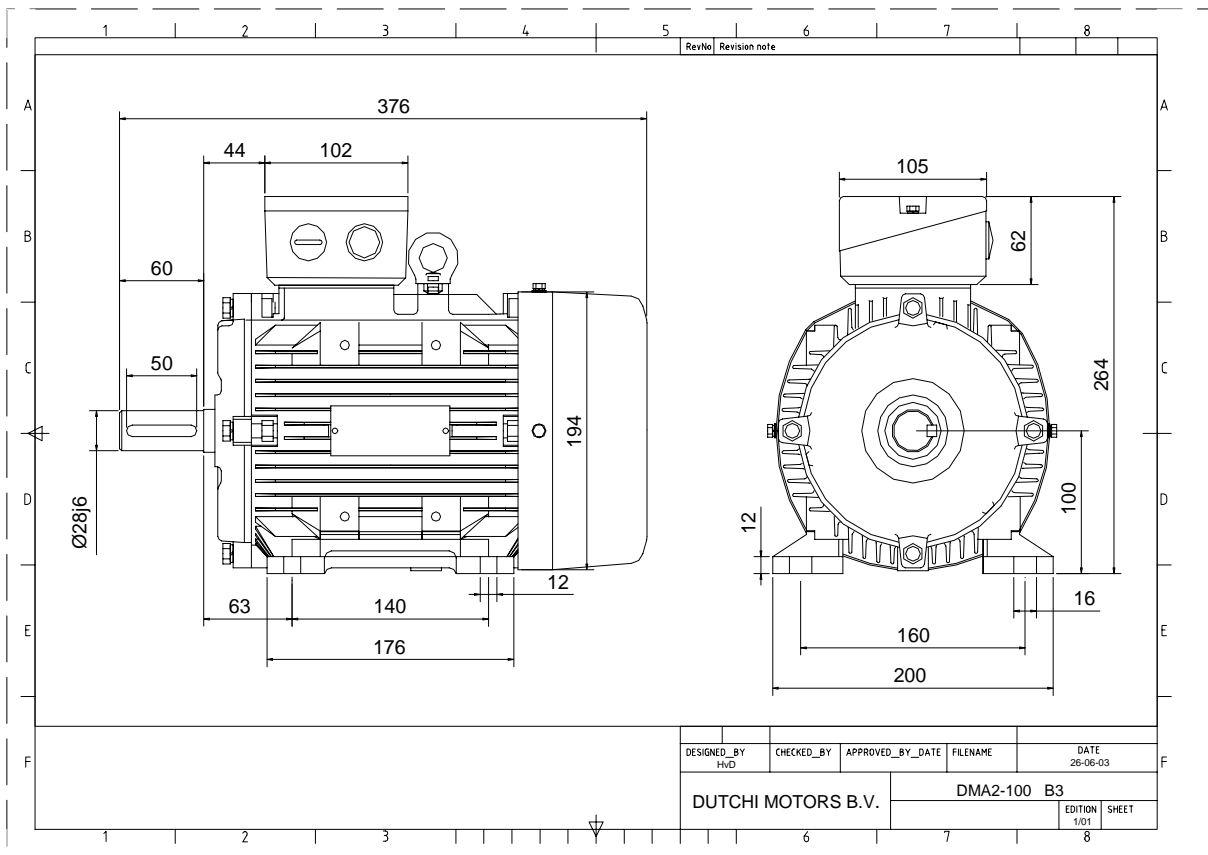


Power is our commodity, the world is our market !



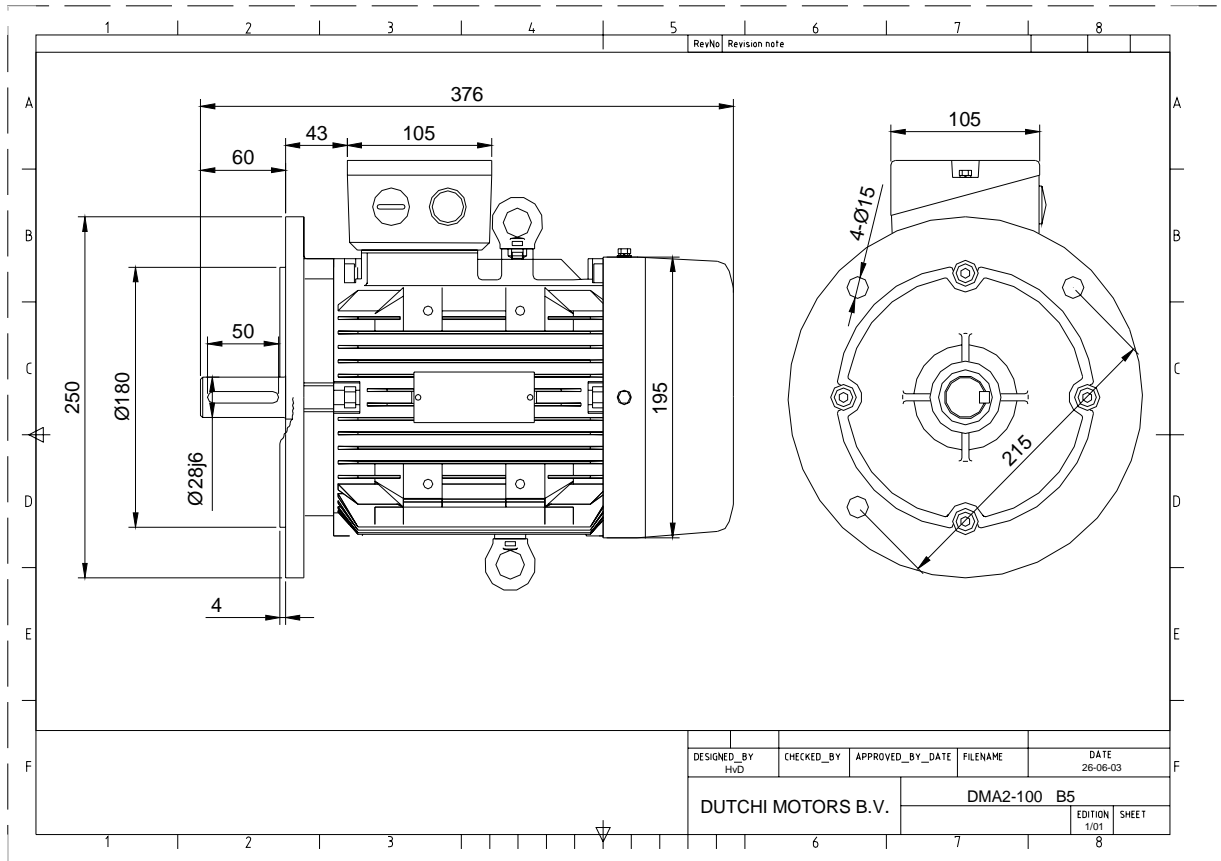
Specification	IEC 60034-1
Manufacturer	Dutchi Motors B.V.
Motor type	DMA2-HE 100L2
Rated power	3,00 kW S1 duty
Speed	2865 r.p.m
Voltage	400 / 690 V
Frequency	50 Hz
Connection	Δ / Y
Amps full load	5,60 / 3,23 A
Amps no-load(400V)	1,95 A
Enclosure	IP 55
Insulation Class	F (temp. rise B (80 K))
Max. coolant temp.	40°C
Max. altitude	1.000 mtr, above sea level
Comment	
Cable entries	2 x M25x1,5
Feature	Alumimium motor
Weight	kg
Catalog no.	18132300DH
Warranty	12~18 months

Efficiency class	EFF 1			
Load data	100%	75%	50%	25%
Efficiency	86,8	88,2	88,1	83,5 %
Power factor	0,89	0,86	0,77	0,56
Sound pressure level (1m)				62,9 dB(A)
Resistance R20 (open)				4,99 Ω
Resistance R20	Δ			3,33 Ω
Full load torque				10,00 Nm
DOL Starting torque vs FL torque				3,07
DOL Pull up torque vs FL torque				2,16
DOL Pull out torque vs FL torque				3,90
Star-Delta Starting torque vs FL torque				0,96
Star-Delta Pull up torque vs FL torque				0,68
Star-Delta Pull out torque vs FL torque				1,22
DOL Starting current vs FL current				8,16
Star Delta Starting current vs FL current				2,55
Rotor Inertia				kgm2
Bearing DE				6206 - ZZ C3
Bearing NDE				6206 - ZZ C3

voorbeelden - extra's

WI	Change	date	sign.
Dutchi Motors B.V. P.O. Box 5390 NL-6802 EJ ARNHEM Tel : +31-(0)26 - 3541 600 Fax : +31-(0)26 - 3541 650		Discription	date
		Drawing made by :	05-05-04
		dutchi.motors@dutchi.nl www.dutchi.com	

Power is our commodity, the world is our market !



Specification	IEC 60034-1
Manufacturer	Dutchi Motors B.V.
Motor type	DMA2-HE 100L2
Rated power	3,00 kW S1 duty
Speed	2865 r.p.m
Voltage	400 / 690 V
Frequency	50 Hz
Connection	Δ / Y
Amps full load	5,60 / 3,23 A
Amps no-load(400V)	1,95 A
Enclosure	IP 55
Insulation Class	F (temp. rise B (80 K))
Max. coolant temp.	40°C
Max. altitude	1.000 mtr, above sea level
Comment	
Cable entries	2 x M25x1,5
Feature	Alumimium motor
Weight	kg
Catalog no.	18232300DH
Warranty	12~18 months

Efficiency class	EFF 1			
Load data	100%	75%	50%	25%
Efficiency	86,8	88,2	88,1	83,5 %
Power factor	0,89	0,86	0,77	0,56
Sound pressure level (1m)	62,9 dB(A)			
Resistance R20 (open)	4,99 Ω			
Resistance R20	Δ 3,33 Ω			
Full load torque	10,00 Nm			
DOL Starting torque vs FL torque	3,07			
DOL Pull up torque vs FL torque	2,16			
DOL Pull out torque vs FL torque	3,90			
Star-Delta Starting torque vs FL torque	0,96			
Star-Delta Pull up torque vs FL torque	0,68			
Star-Delta Pull out torque vs FL torque	1,22			
DOL Starting current vs FL current	8,16			
Star Delta Starting current vs FL current	2,55			
Rotor Inertia	kgm2			
Bearing DE	6206 - ZZ C3			
Bearing NDE	6206 - ZZ C3			

voorbeelden - extra's

WI	Change	date	sign.
Dutchi Motors B.V. P.O. Box 5390 NL-6802 EJ ARNHEM Tel : +31-(0)26 - 3541 600 Fax : +31-(0)26 - 3541 650		Discription	date
		Drawing made by :	05-05-04
dutchi.motors@dutchi.nl www.dutchi.com		sign.	HvD