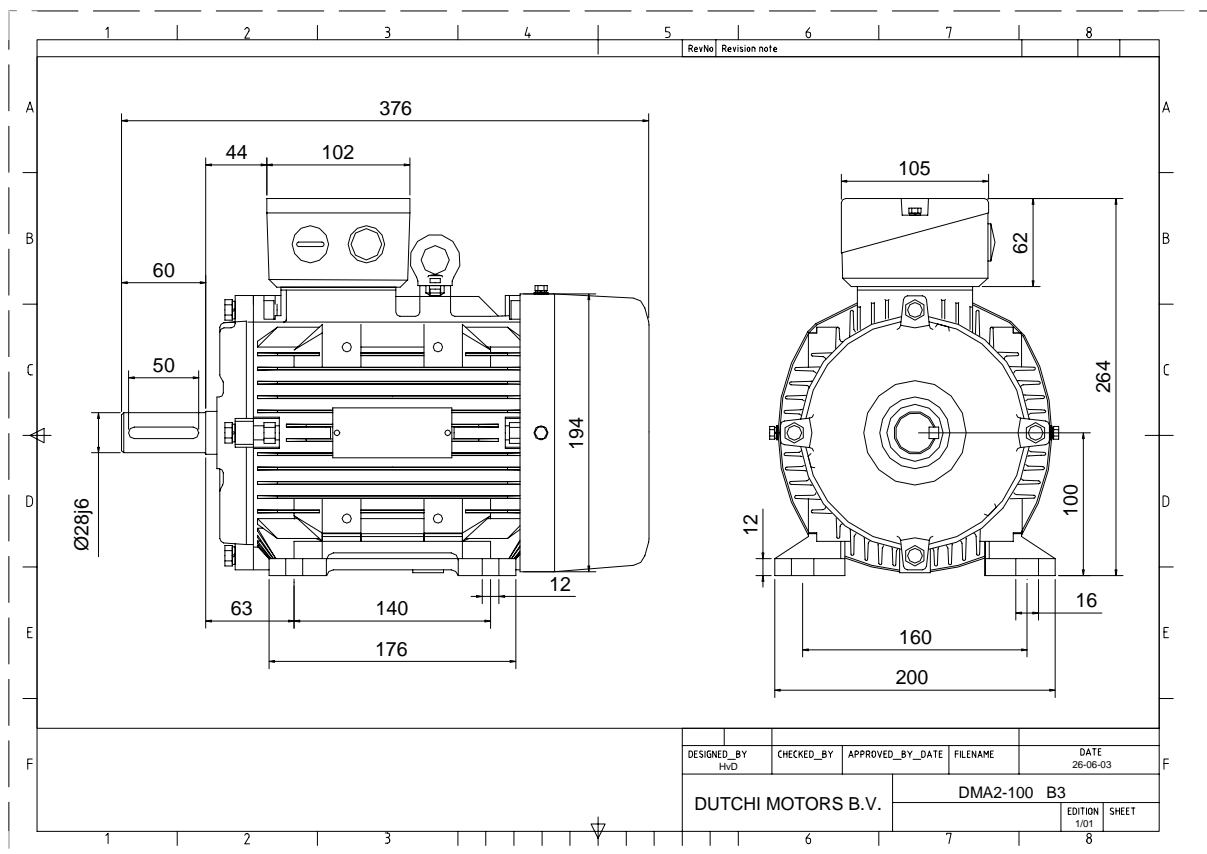


Power is our commodity, the world is our market !



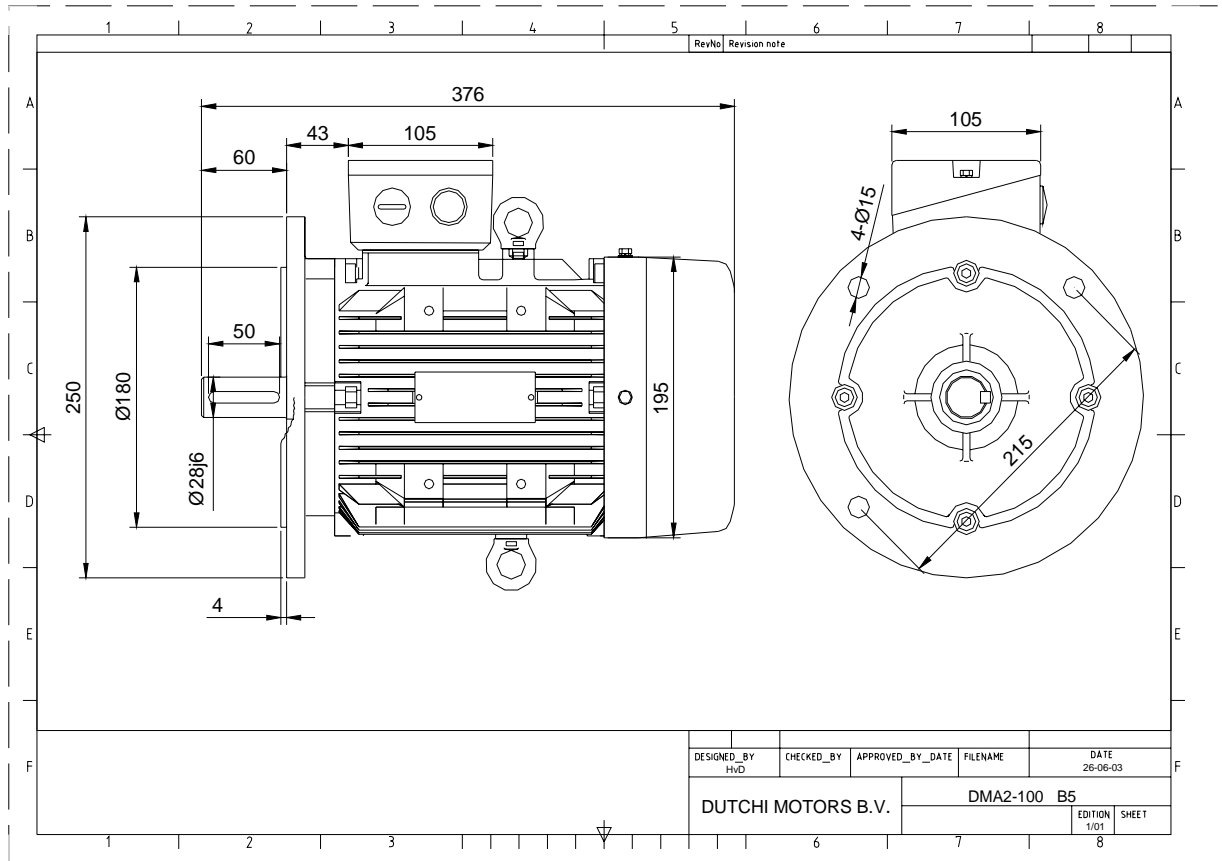
Specification	IEC 60034-1
Manufacturer	Dutchi Motors B.V.
Motor type	DMA2-HE 100LX4
Rated power	3,00 kW S1 duty
Speed	1435 r.p.m
Voltage	400 / 690 V
Frequency	50 Hz
Connection	Δ / Y
Amps full load	6,38 / 3,69 A
Amps no-load(400V)	4,38 A
Enclosure	IP 55
Insulation Class	F (temp. rise B (80 K))
Max. coolant temp.	40°C
Max. altitude	1.000 mtr, above sea level
Comment	
Cable entries	2 x M25x1,5
Feature	Alumimium motor
Weight	kg
Catalog no.	18132300DH
Warranty	12~18 months

Efficiency class	EFF 1			
Load data	100%	75%	50%	25%
Efficiency	87,7	87,7	86,0	78,6 %
Power factor	0,77	0,67	0,52	0,31
Sound pressure level (1m)	53,5 dB(A)			
Resistance R20 (open)	3,93 Ω			
Resistance R20	Δ 2,62 Ω			
Full load torque	19,97 Nm			
DOL Starting torque vs FL torque	3,53			
DOL Pull up torque vs FL torque	2,50			
DOL Pull out torque vs FL torque	4,55			
Star-Delta Starting torque vs FL torque	1,10			
Star-Delta Pull up torque vs FL torque	0,78			
Star-Delta Pull out torque vs FL torque	1,42			
DOL Starting current vs FL current	8,19			
Star Delta Starting current vs FL current	2,56			
Rotor Inertia	kgm2			
Bearing DE	6206 - ZZ C3			
Bearing NDE	6206 - ZZ C3			

voorbeelden - extra's

WI	Change	date	sign.
Dutchi Motors B.V. P.O. Box 5390 NL-6802 EJ ARNHEM Tel : +31-(0)26 - 3541 600 Fax : +31-(0)26 - 3541 650		Discription	date
		Drawing made by :	05-05-04
		dutchi.motors@dutchi.nl www.dutchi.com	
		date	sign.
		HvD	

Power is our commodity, the world is our market !



Specification	IEC 60034-1
Manufacturer	Dutchi Motors B.V.
Motor type	DMA2-HE 100LX4
Rated power	3,00 kW S1 duty
Speed	1435 r.p.m
Voltage	400 / 690 V
Frequency	50 Hz
Connection	Δ / Y
Amps full load	6,38 / 3,69 A
Amps no-load(400V)	4,38 A
Enclosure	IP 55
Insulation Class	F (temp. rise B (80 K))
Max. coolant temp.	40°C
Max. altitude	1.000 mtr, above sea level
Comment	
Cable entries	2 x M25x1,5
Feature	Alumimium motor
Weight	kg
Catalog no.	18232300DH
Warranty	12~18 months

Efficiency class	EFF 1			
Load data	100%	75%	50%	25%
Efficiency	87,7	87,7	86,0	78,6 %
Power factor	0,77	0,67	0,52	0,31
Sound pressure level (1m)	53,5 dB(A)			
Resistance R20 (open)	3,93 Ω			
Resistance R20	Δ 2,62 Ω			
Full load torque	19,97 Nm			
DOL Starting torque vs FL torque	3,53			
DOL Pull up torque vs FL torque	2,50			
DOL Pull out torque vs FL torque	4,55			
Star-Delta Starting torque vs FL torque	1,10			
Star-Delta Pull up torque vs FL torque	0,78			
Star-Delta Pull out torque vs FL torque	1,42			
DOL Starting current vs FL current	8,19			
Star Delta Starting current vs FL current	2,56			
Rotor Inertia	kgm2			
Bearing DE	6206 - ZZ C3			
Bearing NDE	6206 - ZZ C3			

voorbeelden - extra's

WI	Change	date	sign.
Dutchi Motors B.V. P.O. Box 5390 NL-6802 EJ ARNHEM Tel : +31-(0)26 - 3541 600 Fax : +31-(0)26 - 3541 650		Discription	date
		Drawing made by :	05-05-04
		dutchi.motors@dutchi.nl www.dutchi.com	