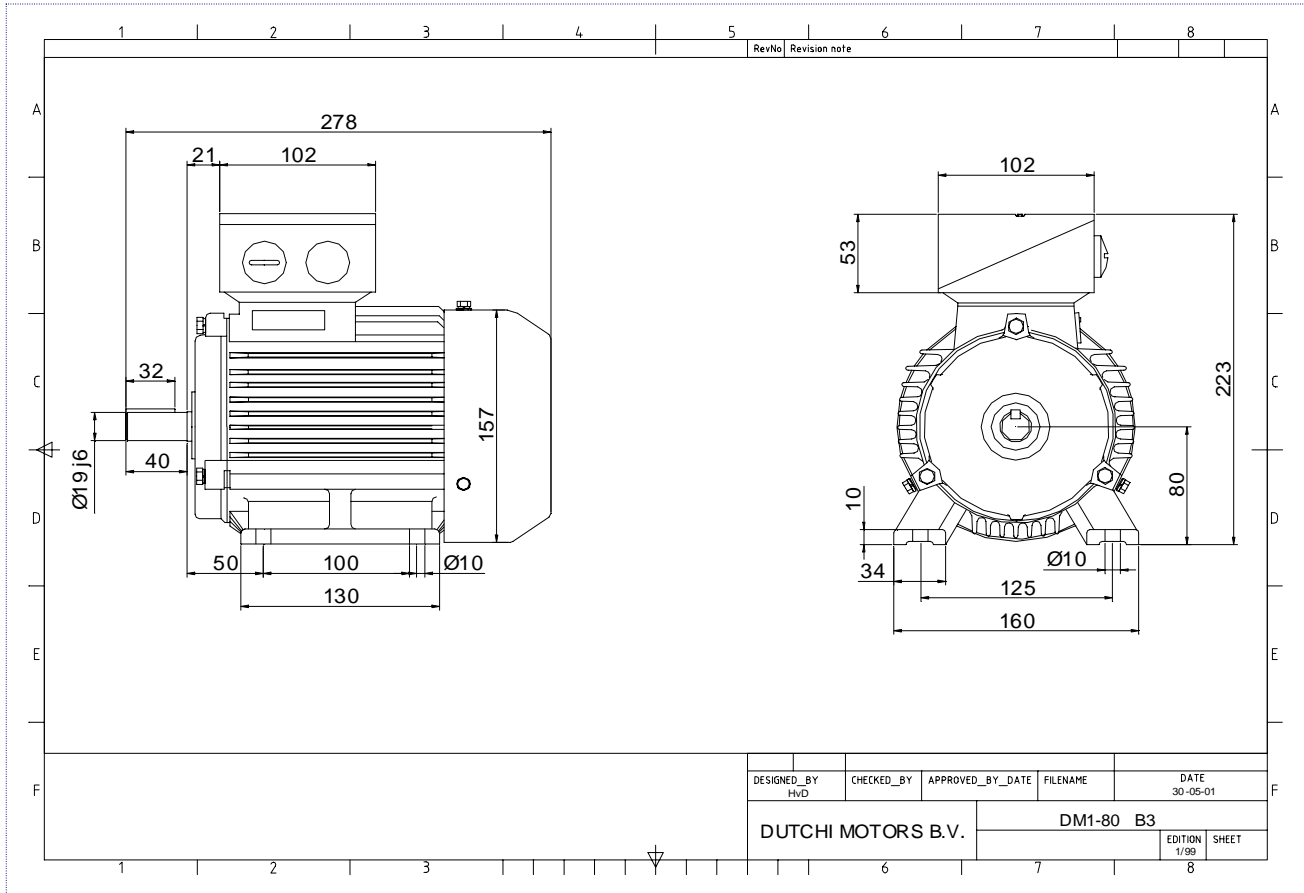


Power is our commodity, the world is our market !

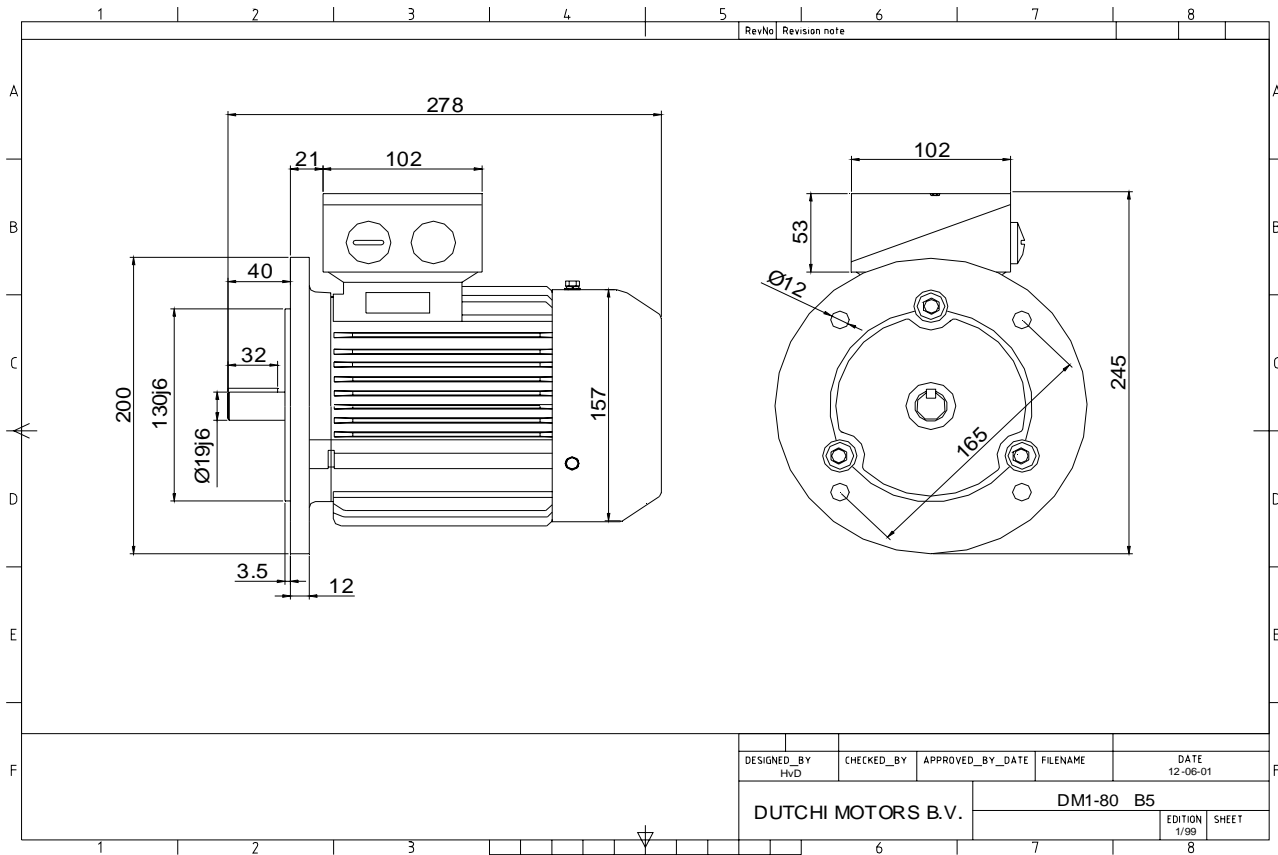


Specification	<b>IEC 60034-1</b>
Manufacturer	<b>Dutchi Motors B.V.</b>
Motor type	<b>DM1-HE 80G2</b>
Rated power	<b>1,10</b> kW <b>S1</b> duty
Speed	<b>2880</b> r.p.m
Voltage	<b>230 / 400</b> V
Frequency	<b>50</b> Hz
Connection	<b>Δ / Y</b>
Amps full load	<b>4,0 / 2,3</b> A
Amps no-load(400V)	<b>1,20</b> A
Enclosure	<b>IP 55</b>
Insulation Class	<b>F (temp. rise B (80 K))</b>
Max. coolant temp.	<b>40°C</b>
Max. altitude	<b>1.000</b> mtr, above sea level
Comment	<b>3 x PTC 150°C</b>
Cable entries	<b>2 x M25x1,5 + 1 x M20x1,5 (ptc)</b>
Feature	<b>Cast-iron motor</b>
Weight	kg
Catalog no.	<b>11122110DH</b>
Warranty	<b>12~18 months</b>

Efficiency class	<b>EFF 1</b>
Load data	100% 75% 50% 25%
Efficiency	<b>83,7 85,0 83,3 75,2</b> %
Power factor	<b>0,82 0,78 0,63 0,40</b>
Sound pressure level (1m)	<b>64,2</b> dB(A)
Resistance R20 (open)	<b>5,267</b> Ω
Resistance R20	<b>Y 10,533</b> Ω
Full load torque	<b>4</b> Nm
DOL Starting torque vs FL torque	<b>3,22</b>
DOL Pull up torque vs FL torque	<b>2,05</b>
DOL Pull out torque vs FL torque	<b>3,58</b>
Star-Delta Starting torque vs FL torque	<b>Y - motor</b>
Star-Delta Pull up torque vs FL torque	<b>Y - motor</b>
Star-Delta Pull out torque vs FL torque	<b>Y - motor</b>
DOL Starting current vs FL current	<b>7,47</b>
Star Delta Starting current vs FL current	<b>Y - motor</b>
Rotor Inertia	kgm <sup>2</sup>
Bearing DE	<b>6204 - ZZ</b>
Bearing NDE	<b>6204 - ZZ</b>


WI	Change	date	sign.
Dutchi Motors B.V.		Description	date
P.O. Box 5390		Drawing made by :	27-04-04
NL-6802 EJ ARNHEM			
Tel : +31-(0)26 - 3541 600		dutchi.motors@dutchi.nl	
Fax : +31-(0)26 - 3541 650		www.dutchi.com	

Power is our commodity, the world is our market !



Specification	<b>IEC 60034-1</b>
Manufacturer	<b>Dutchi Motors B.V.</b>
Motor type	<b>DM1-HE 80G2</b>
Rated power	<b>1,10</b> kW <b>S1</b> duty
Speed	<b>2880</b> r.p.m
Voltage	<b>230 / 400</b> V
Frequency	<b>50</b> Hz
Connection	<b>Δ / Y</b>
Amps full load	<b>4,0 / 2,3</b> A
Amps no-load(400V)	<b>1,20</b> A
Enclosure	<b>IP 55</b>
Insulation Class	<b>F (temp. rise B (80 K))</b>
Max. coolant temp.	<b>40°C</b>
Max. altitude	<b>1.000</b> mtr, above sea level
Comment	<b>3 x PTC 150°C</b>
Cable entries	<b>2 x M25x1,5 + 1 x M20x1,5 (ptc)</b>
Feature	<b>Cast-iron motor</b>
Weight	kg
Catalog no.	<b>11222110DH</b>
Warranty	<b>12~18 months</b>

Efficiency class	<b>EFF 1</b>			
Load data	100%	75%	50%	25%
Efficiency	<b>83,7</b>	<b>85,0</b>	<b>83,3</b>	<b>75,2</b> %
Power factor	<b>0,82</b>	<b>0,78</b>	<b>0,63</b>	<b>0,40</b>
Sound pressure level (1m)				<b>64,2</b> dB(A)
Resistance R20 (open)				<b>5,267</b> Ω
Resistance R20	<b>Y</b>		<b>10,533</b> Ω	
Full load torque				<b>4</b> Nm
DOL Starting torque vs FL torque				<b>3,22</b>
DOL Pull up torque vs FL torque				<b>2,05</b>
DOL Pull out torque vs FL torque				<b>3,58</b>
Star-Delta Starting torque vs FL torque				<b>Y - motor</b>
Star-Delta Pull up torque vs FL torque				<b>Y - motor</b>
Star-Delta Pull out torque vs FL torque				<b>Y - motor</b>
DOL Starting current vs FL current				<b>7,47</b>
Star Delta Starting current vs FL current				<b>Y - motor</b>
Rotor Inertia				kgm <sup>2</sup>
Bearing DE				<b>6204 - ZZ</b>
Bearing NDE				<b>6204 - ZZ</b>


WI	Change	date	sign.
<b>Dutchi Motors B.V.</b> P.O. Box 5390 NL-6802 EJ ARNHEM Tel : +31-(0)26 - 3541 600 Fax : +31-(0)26 - 3541 650		Discription Drawing made by :	date sign. HvD
dutchi.motors@dutchi.nl www.dutchi.com		27-04-04	