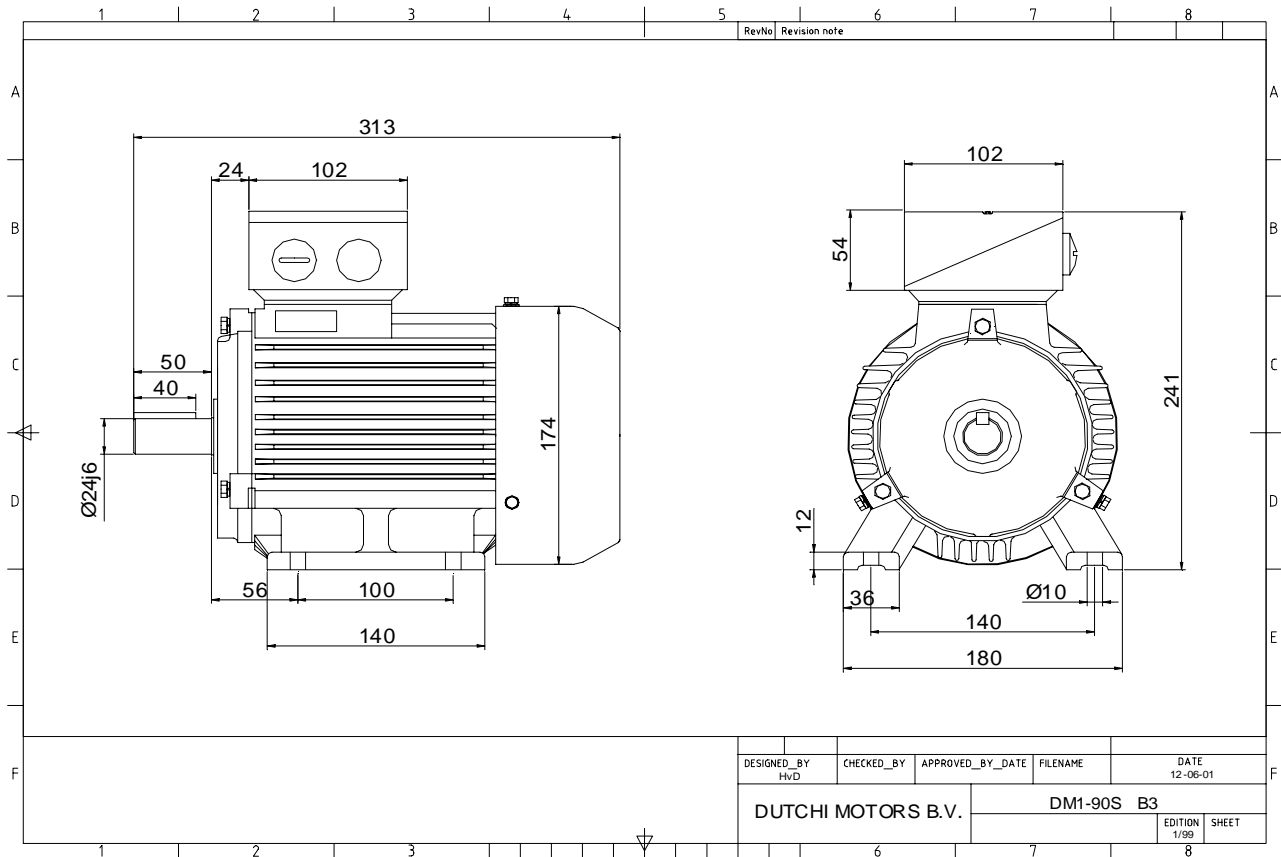


Power is our commodity, the world is our market !



Specification **IEC 60034-1**
 Manufacturer **Dutchi Motors B.V.**
 Motor type **DM1-HE 90S4**
 Rated power **1,10** kW **S1** duty
 Speed **1390** r.p.m
 Voltage **230 / 400** V
 Frequency **50** Hz
 Connection **Δ / Y**
 Amps full load **4,3 / 2,5** A
 Amps no-load(400V) **1,60** A
 Enclosure **IP 55**
 Insulation Class **F (temp. rise B (80 K))**

Max. coolant temp. **40°C**
 Max. altitude **1.000** mtr, above sea level
 Comment **3 x PTC 150°C**
 Cable entries **2 x M25x1,5 + 1 x M20x1,5 (ptc)**

Feature **Cast-iron motor**
 Weight **kg**
 Catalog no. **11124110DH**
 Warranty **12~18 months**

Efficiency class **EFF 1**
 Load data 100% 75% 50% 25%
 Efficiency **84,0 84,3 83,7 76,5** %
 Power factor **0,76 0,64 0,53 0,33**

Sound pressure level (1m) **48,7** dB(A)
 Resistance R20 (open) **4,561** Ω
 Resistance R20 **Y 9,122** Ω

Full load torque **8** Nm
 DOL Starting torque vs FL torque **3,12**
 DOL Pull up torque vs FL torque **2,07**
 DOL Pull out torque vs FL torque **3,45**
 Star-Delta Starting torque vs FL torque **Y - motor**
 Star-Delta Pull up torque vs FL torque **Y - motor**
 Star-Delta Pull out torque vs FL torque **Y - motor**
 DOL Starting current vs FL current **7,02**
 Star Delta Starting current vs FL current **Y - motor**

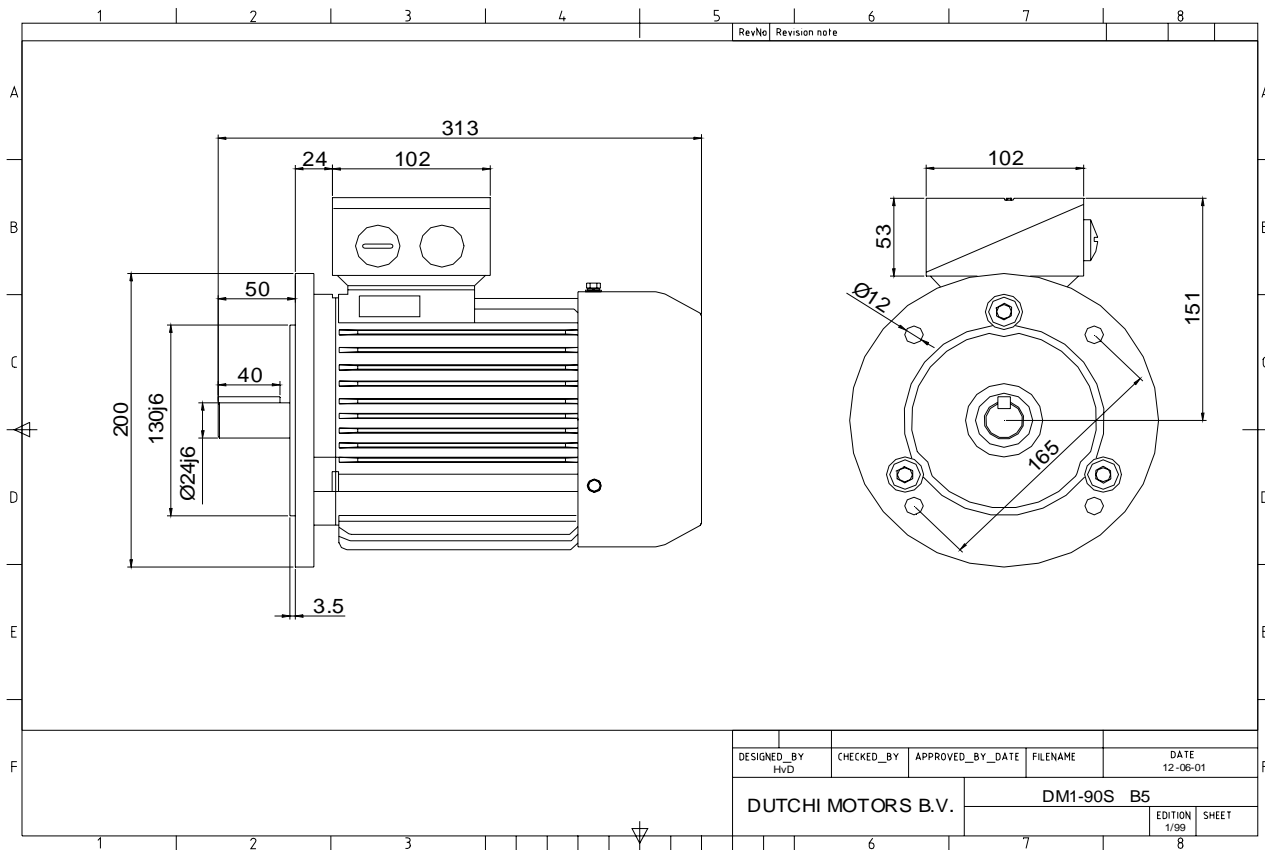
Rotor Inertia **kgm2**

Bearing DE **6205 - ZZ**
 Bearing NDE **6205 - ZZ**

| |
|--|
| |
| |
| |
| |
| |
| |
| |
| |

| | | | |
|---|--------|---|----------|
| WI | Change | date | sign. |
| | | | |
| Dutchi Motors B.V. P.O. Box 5390 NL-6802 EJ ARNHEM Tel : +31-(0)26 - 3541 600 Fax : +31-(0)26 - 3541 650 | | Discription | date |
| | | Drawing made by : | 27-04-04 |
| | | dutchi.motors@dutchi.nl www.dutchi.com | |

Power is our commodity, the world is our market !



| | | | | |
|--------------------|------------|------------------|------------|------------------|
| DESIGNED_BY HvD | CHECKED_BY | APPROVED_BY_DATE | FILENAME | DATE 12-06-01 |
| DUTCHI MOTORS B.V. | | | DM1-90S B5 | EDITION 1/00 |
| | | | | SHEET |

| | |
|--------------------|--|
| Specification | IEC 60034-1 |
| Manufacturer | Dutchi Motors B.V. |
| Motor type | DM1-HE 90S4 |
| Rated power | 1,10 kW S1 duty |
| Speed | 1390 r.p.m |
| Voltage | 230 / 400 V |
| Frequency | 50 Hz |
| Connection | Δ / Y |
| Amps full load | 4,3 / 2,5 A |
| Amps no-load(400V) | 1,60 A |
| Enclosure | IP 55 |
| Insulation Class | F (temp. rise B (80 K)) |
| Max. coolant temp. | 40°C |
| Max. altitude | 1.000 mtr, above sea level |
| Comment | 3 x PTC 150°C |
| Cable entries | 2 x M25x1,5 + 1 x M20x1,5 (ptc) |
| Feature | Cast-iron motor |
| Weight | kg |
| Catalog no. | 11224110DH |
| Warranty | 12~18 months |

| | | | | |
|---|--------------|-------------|--------------|-------------------|
| Efficiency class | EFF 1 | | | |
| Load data | 100% | 75% | 50% | 25% |
| Efficiency | 84,0 | 84,3 | 83,7 | 76,5 % |
| Power factor | 0,76 | 0,64 | 0,53 | 0,33 |
| Sound pressure level (1m) | | | | 48,7 dB(A) |
| Resistance R20 (open) | | | | 4,561 Ω |
| Resistance R20 | Y | | 9,122 | Ω |
| Full load torque | | | | 8 Nm |
| DOL Starting torque vs FL torque | | | | 3,12 |
| DOL Pull up torque vs FL torque | | | | 2,07 |
| DOL Pull out torque vs FL torque | | | | 3,45 |
| Star-Delta Starting torque vs FL torque | | | | Y - motor |
| Star-Delta Pull up torque vs FL torque | | | | Y - motor |
| Star-Delta Pull out torque vs FL torque | | | | Y - motor |
| DOL Starting current vs FL current | | | | 7,02 |
| Star Delta Starting current vs FL current | | | | Y - motor |
| Rotor Inertia | | | | kgm ² |
| Bearing DE | | | | 6205 - ZZ |
| Bearing NDE | | | | 6205 - ZZ |

| |
|--|
| |
| |
| |
| |
| |
| |
| |
| |

| | | | |
|---|--------|---|----------------------------------|
| WI | Change | date | sign. |
| | | | |
| Dutchi Motors B.V. P.O. Box 5390 NL-6802 EJ ARNHEM Tel : +31-(0)26 - 3541 600 Fax : +31-(0)26 - 3541 650 | | Discription Drawing made by : | date 27-04-04 sign. HvD |
| | | dutchi.motors@dutchi.nl www.dutchi.com | |