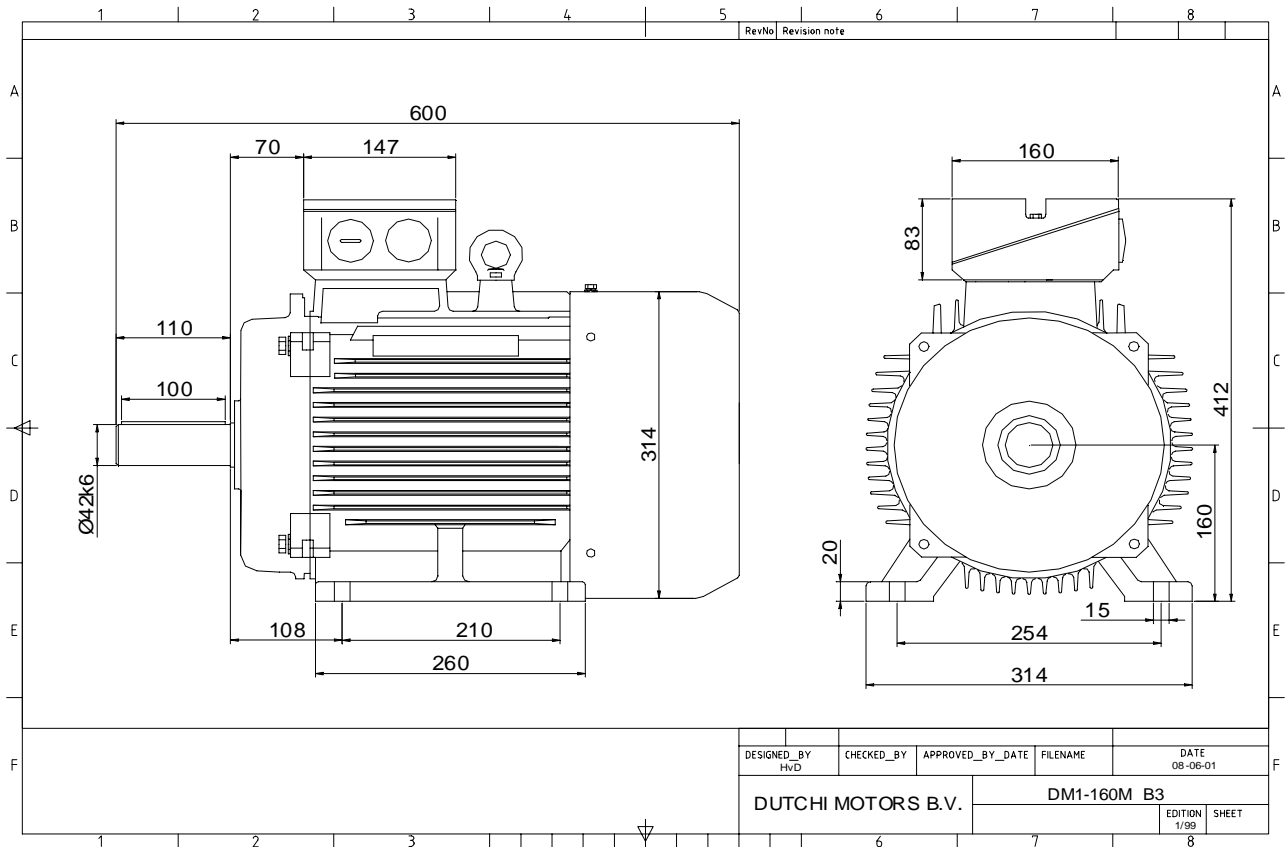


Power is our commodity, the world is our market !



Specification **IEC 60034-1**  
 Manufacturer **Dutchi Motors B.V.**  
 Motor type **DM1-HE 160M2**  
 Rated power **11,00** kW **S1** duty  
 Speed **2935** r.p.m  
 Voltage **400** / **690** V  
 Frequency **50** Hz  
 Connection **Δ** / **Y**  
 Amps full load **19,1** / **11,0** A  
 Amps no-load(400V) **4,80** A  
 Enclosure **IP 55**  
 Insulation Class **F (temp. rise B (80 K))**

Max. coolant temp. **40°C**  
 Max. altitude **1.000** mtr, above sea level  
 Comment **3 x PTC 150°C**  
 Cable entries **2 x M40x1,5 + 1 x M20x1,5 (ptc)**

Feature **Cast-iron motor**  
 Weight **kg**  
 Catalog no. **11132A11DH**  
 Warranty **12~18 months**

Efficiency class **EFF 1**  
 Load data 100% 75% 50% 25%  
 Efficiency **91,2 91,2 90,0 84,9** %  
 Power factor **0,91 0,89 0,84 0,74**

Sound pressure level (1m) **71,5** dB(A)  
 Resistance R20 (open) **0,744** Ω  
 Resistance R20 **Δ 0,496** Ω

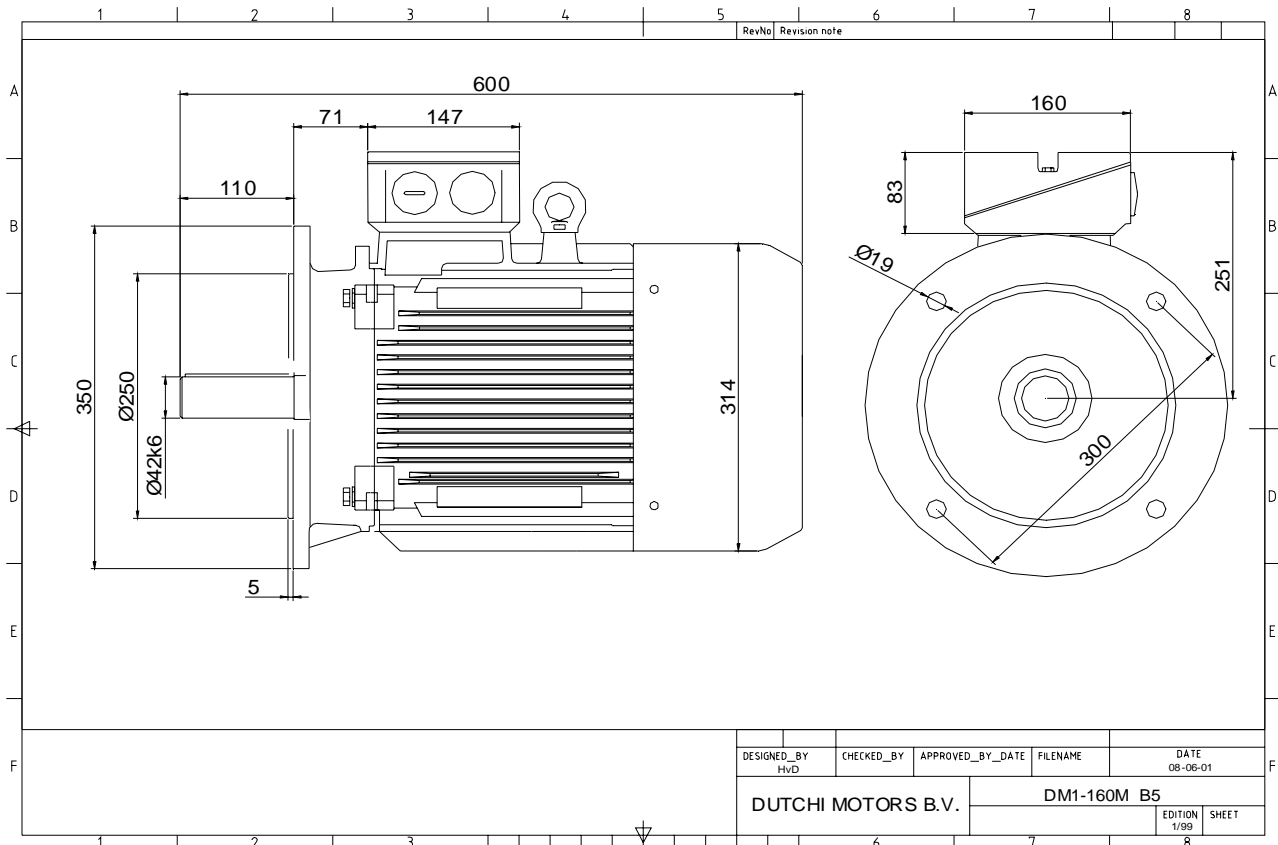
Full load torque **36** Nm  
 DOL Starting torque vs FL torque **2,29**  
 DOL Pull up torque vs FL torque **1,65**  
 DOL Pull out torque vs FL torque **3,16**  
 Star-Delta Starting torque vs FL torque **0,72**  
 Star-Delta Pull up torque vs FL torque **0,52**  
 Star-Delta Pull out torque vs FL torque **0,99**  
 DOL Starting current vs FL current **7,54**  
 Star Delta Starting current vs FL current **2,36**

Rotor Inertia **kgm2**

Bearing DE **6309 - ZZ C3**  
 Bearing NDE **6309 - ZZ C3**


WI	Change	date	sign.
<b>Dutchi Motors B.V.</b> P.O. Box 5390 NL-6802 EJ ARNHEM Tel : +31-(0)26 - 3541 600 Fax : +31-(0)26 - 3541 650		Description	date
		Drawing made by :	27-04-04
		<b>dutchi.motors@dutchi.nl</b> <b>www.dutchi.com</b>	

Quality is our commitment



Specification **IEC 60034-1**  
 Manufacturer **Dutchi Motors B.V.**  
 Motor type **DM1-HE 160M2**  
 Rated power **11,00** kW **S1** duty  
 Speed **2935** r.p.m  
 Voltage **400** / **690** V  
 Frequency **50** Hz  
 Connection **Δ** / **Y**  
 Amps full load **19,1** / **11,0** A  
 Amps no-load(400V) **4,80** A  
 Enclosure **IP 55**  
 Insulation Class **F (temp. rise B (80 K))**

Max. coolant temp. **40°C**  
 Max. altitude **1.000** mtr, above sea level  
 Comment **3 x PTC 150°C**  
 Cable entries **2 x M40x1,5 + 1 x M20x1,5 (ptc)**

Feature **Cast-iron motor**  
 Weight **kg**  
 Catalog no. **11232A11DH**  
 Warranty **12~18 months**

Efficiency class **EFF 1**  
 Load data 100% 75% 50% 25%  
 Efficiency **91,2 91,2 90,0 84,9** %  
 Power factor **0,91 0,89 0,84 0,74**

Sound pressure level (1m) **71,5** dB(A)  
 Resistance R20 (open) **0,744** Ω  
 Resistance R20 **Δ 0,496** Ω

Full load torque **36** Nm  
 DOL Starting torque vs FL torque **2,29**  
 DOL Pull up torque vs FL torque **1,65**  
 DOL Pull out torque vs FL torque **3,16**  
 Star-Delta Starting torque vs FL torque **0,72**  
 Star-Delta Pull up torque vs FL torque **0,52**  
 Star-Delta Pull out torque vs FL torque **0,99**  
 DOL Starting current vs FL current **7,54**  
 Star Delta Starting current vs FL current **2,36**

Rotor Inertia **kgm2**

Bearing DE **6309 - ZZ C3**  
 Bearing NDE **6309 - ZZ C3**


WI	Change	date	sign.
Dutchi Motors B.V.		Discription	sign.
P.O. Box 5390		Drawing made by :	HvD
NL-6802 EJ ARNHEM		27-04-04	
Tel : +31-(0)26 - 3541 600		dutchi.motors@dutchi.nl	
Fax : +31-(0)26 - 3541 650		www.dutchi.com	