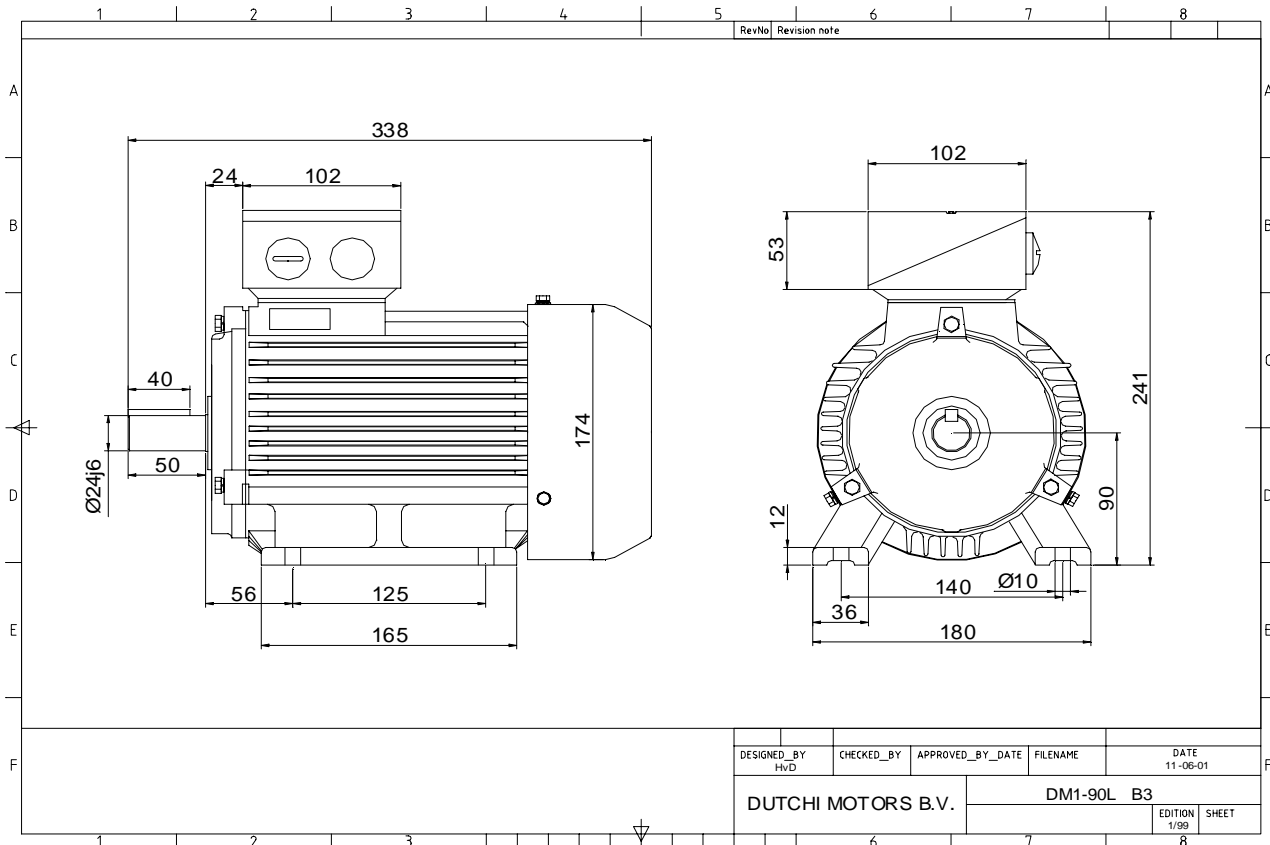


Power is our commodity, the world is our market !



Specification **IEC 60034-1**
 Manufacturer **Dutchi Motors B.V.**
 Motor type **DM1-HE 90L2**
 Rated power **2,20** kW **S1** duty
 Speed **2865** r.p.m
 Voltage **230** / **400** V
 Frequency **50** Hz
 Connection **Δ** / **Y**
 Amps full load **7,4** / **4,3** A
 Amps no-load(400V) **2,40** A
 Enclosure **IP 55**
 Insulation Class **F (temp. rise B (80 K))**

Max. coolant temp. **40°C**
 Max. altitude **1.000** mtr, above sea level
 Comment **3 x PTC 150°C**
 Cable entries **2 x M25x1,5 + 1 x M20x1,5 (ptc)**

Feature **Cast-iron motor**
 Weight **kg**
 Catalog no. **11122220DH**
 Warranty **12~18 months**

Efficiency class **EFF 1**
 Load data 100% 75% 50% 25%
 Efficiency **85,7 86,5 85,3 78,2** %
 Power factor **0,87 0,81 0,66 0,42**

Sound pressure level (1m) **63,4** dB(A)
 Resistance R20 (open) **2,280** Ω
 Resistance R20 **Y 4,559** Ω

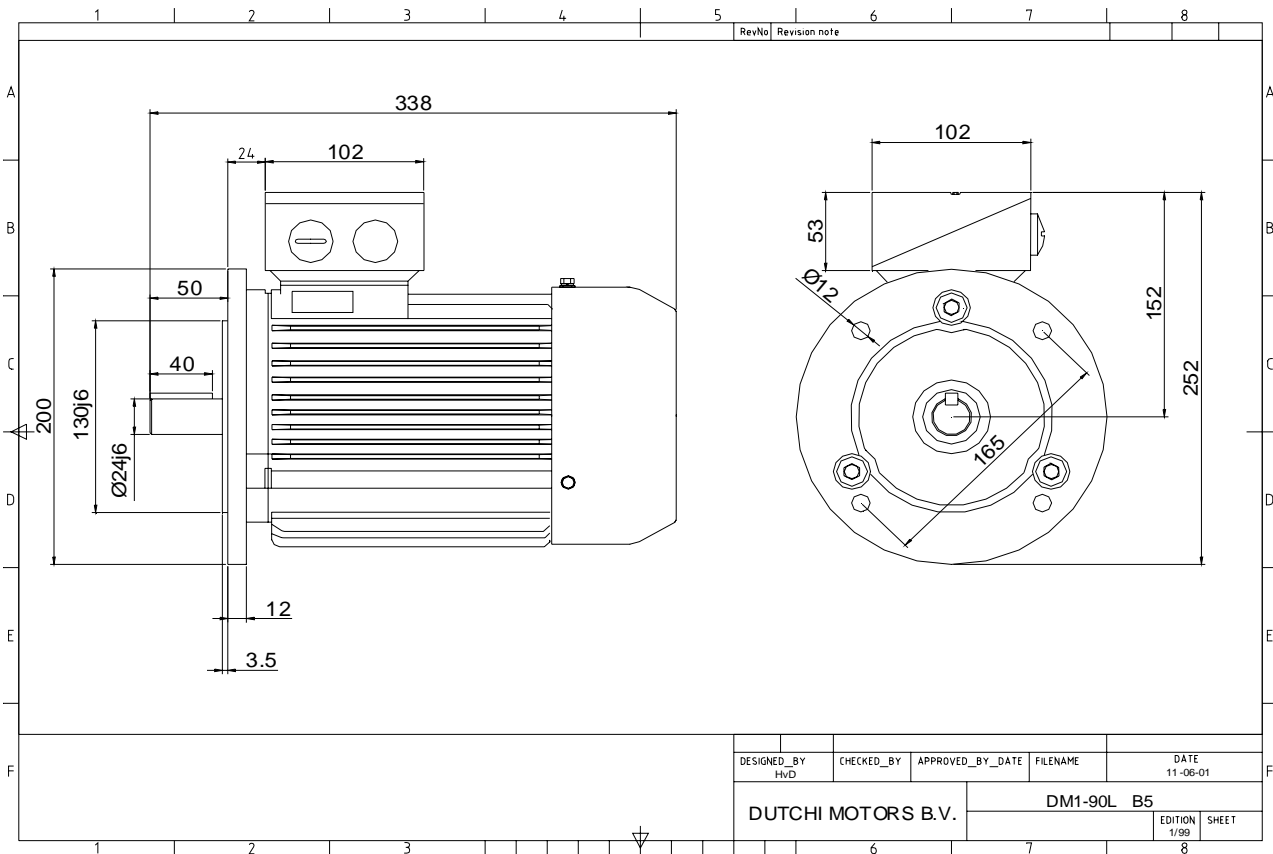
Full load torque **7** Nm
 DOL Starting torque vs FL torque **3,76**
 DOL Pull up torque vs FL torque **2,31**
 DOL Pull out torque vs FL torque **3,63**
 Star-Delta Starting torque vs FL torque **Y - motor**
 Star-Delta Pull up torque vs FL torque **Y - motor**
 Star-Delta Pull out torque vs FL torque **Y - motor**
 DOL Starting current vs FL current **8,35**
 Star Delta Starting current vs FL current **Y - motor**

Rotor Inertia **kgm2**

Bearing DE **6205 - ZZ**
 Bearing NDE **6205 - ZZ**

WI	Change	date	sign.
Dutchi Motors B.V. P.O. Box 5390 NL-6802 EJ ARNHEM Tel : +31-(0)26 - 3541 600 Fax : +31-(0)26 - 3541 650		Description	date
		Drawing made by :	27-04-04
		dutchi.motors@dutchi.nl www.dutchi.com	

Power is our commodity, the world is our market !



DESIGNED_BY HvD	CHECKED_BY	APPROVED_BY_DATE	FILENAME	DATE 11-06-01
DUTCHI MOTORS B.V.			DM1-90L B5	EDITION 1/99
				SHEET

Specification	IEC 60034-1
Manufacturer	Dutchi Motors B.V.
Motor type	DM1-HE 90L2
Rated power	2,20 kW S1 duty
Speed	2865 r.p.m
Voltage	230 / 400 V
Frequency	50 Hz
Connection	Δ / Y
Amps full load	7,4 / 4,3 A
Amps no-load(400V)	2,40 A
Enclosure	IP 55
Insulation Class	F (temp. rise B (80 K))
Max. coolant temp.	40°C
Max. altitude	1.000 mtr, above sea level
Comment	3 x PTC 150°C
Cable entries	2 x M25x1,5 + 1 x M20x1,5 (ptc)
Feature	Cast-iron motor
Weight	kg
Catalog no.	11222220DH
Warranty	12~18 months

Efficiency class	EFF 1
Load data	100% 75% 50% 25%
Efficiency	85,7 86,5 85,3 78,2 %
Power factor	0,87 0,81 0,66 0,42
Sound pressure level (1m)	63,4 dB(A)
Resistance R20 (open)	2,280 Ω
Resistance R20	Y 4,559 Ω
Full load torque	7 Nm
DOL Starting torque vs FL torque	3,76
DOL Pull up torque vs FL torque	2,31
DOL Pull out torque vs FL torque	3,63
Star-Delta Starting torque vs FL torque	Y - motor
Star-Delta Pull up torque vs FL torque	Y - motor
Star-Delta Pull out torque vs FL torque	Y - motor
DOL Starting current vs FL current	8,35
Star Delta Starting current vs FL current	Y - motor
Rotor Inertia	kgm ²
Bearing DE	6205 - ZZ
Bearing NDE	6205 - ZZ

WI	Change	date	sign.
Dutchi Motors B.V. P.O. Box 5390 NL-6802 EJ ARNHEM Tel : +31-(0)26 - 3541 600 Fax : +31-(0)26 - 3541 650		Discription Drawing made by :	date 27-04-04 sign. HvD
		dutchi.motors@dutchi.nl www.dutchi.com	