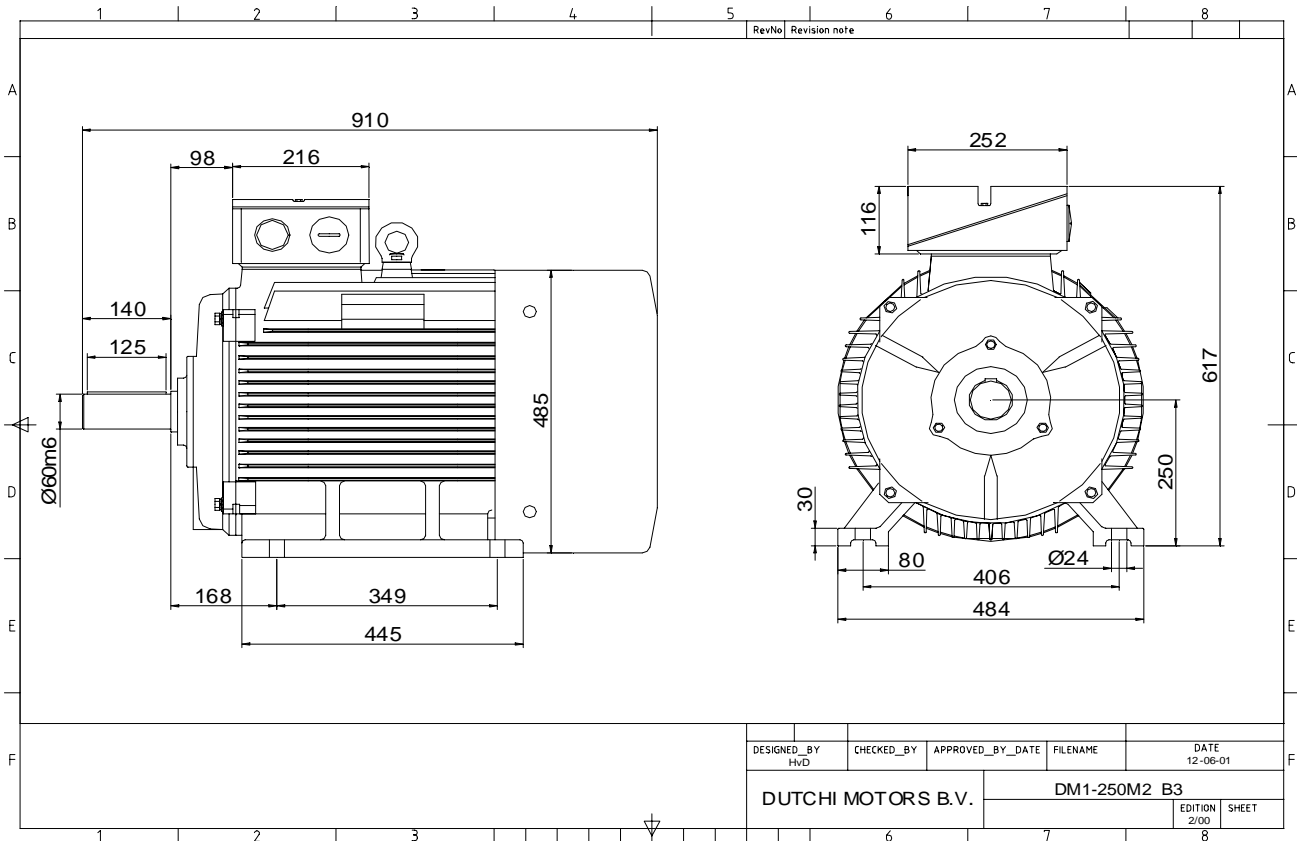


Power is our commodity, the world is our market !



Specification **IEC 60034-1**
 Manufacturer **Dutchi Motors B.V.**
 Motor type **DM1-HE 250M2**
 Rated power **55,0** kW **S1** duty
 Speed **2965** r.p.m
 Voltage **400** / **690** V
 Frequency **50** Hz
 Connection **Δ** / **Y**
 Amps full load **92,0** / **53,1** A
 Amps no-load(400V) **23,80** A
 Enclosure **IP 55**
 Insulation Class **F (temp. rise B (80 K))**

Max. coolant temp. **40°C**
 Max. altitude **1.000** mtr, above sea level
 Comment **3 x PTC 150°C**
 Cable entries **2 x M63x1,5 + 1 x M20x1,5 (ptc)**

Feature **Cast-iron motor**
 Weight kg
 Catalog no. **11132A55DH**
 Warranty **12~18 months**

Efficiency class **EFF 1**
 Load data 100% 75% 50% 25%
 Efficiency **94,6 94,6 93,6 89,6** %
 Power factor **0,91 0,89 0,84 0,71**

Sound pressure level (1m) **82,2** dB(A)
 Resistance R20 (open) **0,084** Ω
 Resistance R20 **Δ 0,056** Ω

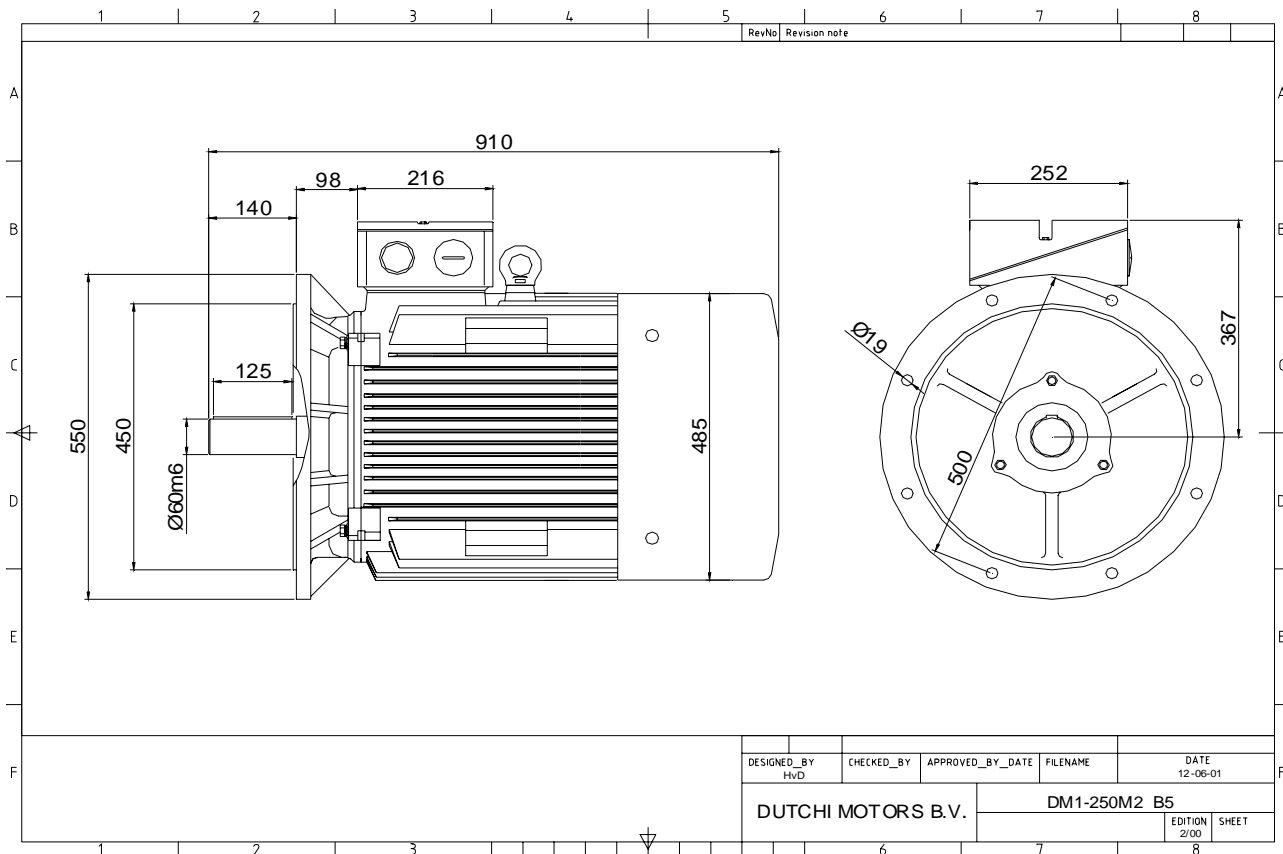
Full load torque **177** Nm
 DOL Starting torque vs FL torque **2,05**
 DOL Pull up torque vs FL torque **1,59**
 DOL Pull out torque vs FL torque **3,62**
 Star-Delta Starting torque vs FL torque **0,64**
 Star-Delta Pull up torque vs FL torque **0,50**
 Star-Delta Pull out torque vs FL torque **1,13**
 DOL Starting current vs FL current **8,15**
 Star Delta Starting current vs FL current **2,55**

Rotor Inertia kgm2

Bearing DE **6314 - ZZ C3**
 Bearing NDE **6314 - ZZ C3**

WI	Change	date	sign.
Dutchi Motors B.V.		Description	date
P.O. Box 5390		Drawing made by :	27-04-04
NL-6802 EJ ARNHEM			
Tel : +31-(0)26 - 3541 600		dutchi.motors@dutchi.nl	
Fax : +31-(0)26 - 3541 650		www.dutchi.com	

Power is our commodity, the world is our market !



Specification **IEC 60034-1**
 Manufacturer **Dutchi Motors B.V.**
 Motor type **DM1-HE 250M2**
 Rated power **55,0** kW **S1** duty
 Speed **2965** r.p.m
 Voltage **400** / **690** V
 Frequency **50** Hz
 Connection **Δ** / **Y**
 Amps full load **92,0** / **53,1** A
 Amps no-load(400V) **23,80** A
 Enclosure **IP 55**
 Insulation Class **F (temp. rise B (80 K))**

Max. coolant temp. **40°C**
 Max. altitude **1.000** mtr, above sea level
 Comment **3 x PTC 150°C**
 Cable entries **2 x M63x1,5 + 1 x M20x1,5 (ptc)**

Feature **Cast-iron motor**
 Weight **kg**
 Catalog no. **11232A55DH**
 Warranty **12~18 months**

Efficiency class **EFF 1**
 Load data 100% 75% 50% 25%
 Efficiency **94,6 94,6 93,6 89,6** %
 Power factor **0,91 0,89 0,84 0,71**

Sound pressure level (1m) **82,2** dB(A)
 Resistance R20 (open) **0,084** Ω
 Resistance R20 **Δ 0,056** Ω

Full load torque **177** Nm
 DOL Starting torque vs FL torque **2,05**
 DOL Pull up torque vs FL torque **1,59**
 DOL Pull out torque vs FL torque **3,62**
 Star-Delta Starting torque vs FL torque **0,64**
 Star-Delta Pull up torque vs FL torque **0,50**
 Star-Delta Pull out torque vs FL torque **1,13**
 DOL Starting current vs FL current **8,15**
 Star Delta Starting current vs FL current **2,55**

Rotor Inertia **kgm2**

Bearing DE **6314 - ZZ C3**
 Bearing NDE **6314 - ZZ C3**

WI	Change	date	sign.
Dutchi Motors B.V.		Description	date
P.O. Box 5390		Drawing made by :	27-04-04
NL-6802 EJ ARNHEM			
Tel : +31-(0)26 - 3541 600		dutchi.motors@dutchi.nl	
Fax : +31-(0)26 - 3541 650		www.dutchi.com	